

4

3

2

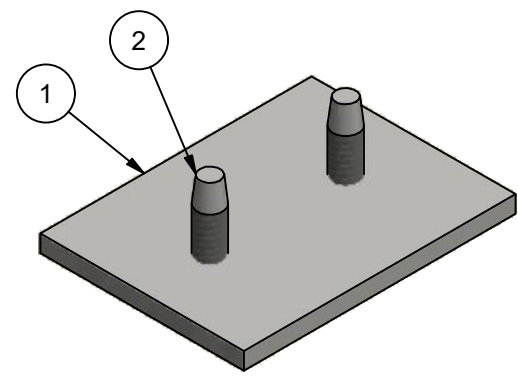
1

Parts List				
ITEM	QTY	ID #	DESCRIPTION	STOCK PART #
1	1	0002806	Soffit Splice Plate	
2	2	FHP-Type F 10-24 UNC - 0.75 Zinc	Flat Head Phillips Type -F	

25.442AA / 5.442AA
Anodized Aluminum Soffit
x 16'-0" Maximum

Splice

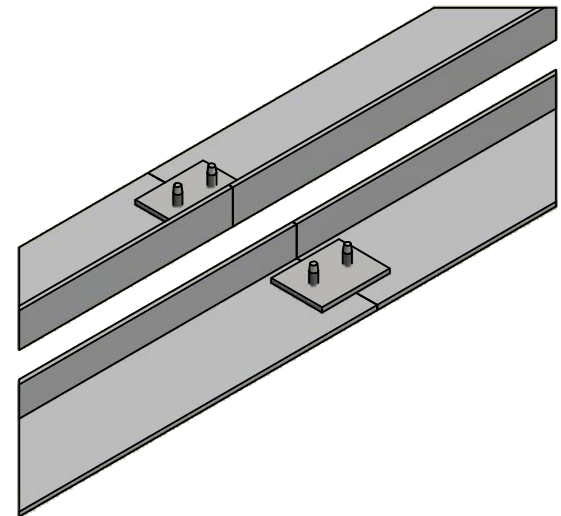
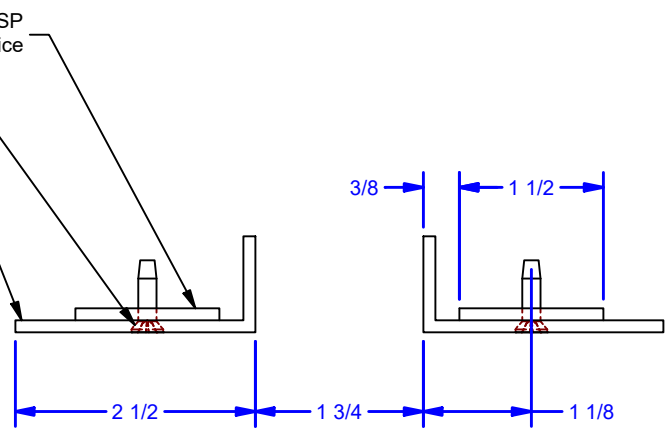
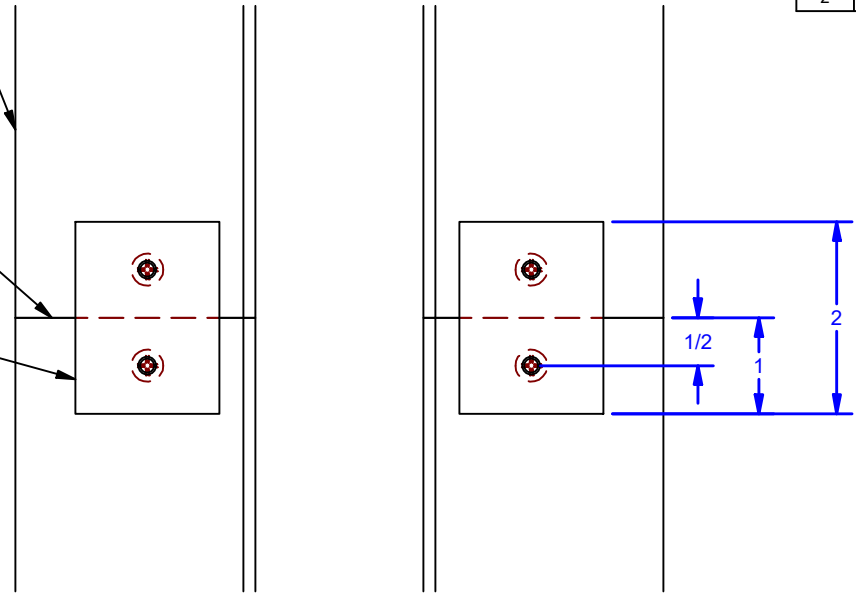
442AA-SP
Soffit Splice



442AA-SP
Soffit Splice

Field Drill, Tap, Countersink
(By Others)

25.442AA / 5.442AA
Anodized Aluminum Soffit
x 16'-0" Maximum



ALL DIMENSIONS IN INCHES

THE INFORMATION CONTAINED IN THIS DRAWING IS THE SOLE PROPERTY OF CROWN INDUSTRIAL. ANY REPRODUCTION IN PART OR AS A WHOLE WITHOUT THE WRITTEN PERMISSION OF CROWN INDUSTRIAL IS PROHIBITED.	ID #:	0003132	STOCK PART #:	442A-SP
	MATERIAL:	Aluminum		
DESCRIPTION: Soffit w. Splice Detail				
FINISH:		# PCS:	REV:	



CROWN INDUSTRIAL
So. San Francisco, Ca
(650) 952-5150
www.crown-industrial.com

DWG #: 0003023
DRAWN:BCM 8/31/2021
SHEET #2
File: 0003023.idw

4

3

2

1