

4

3

2

1

D

D

C

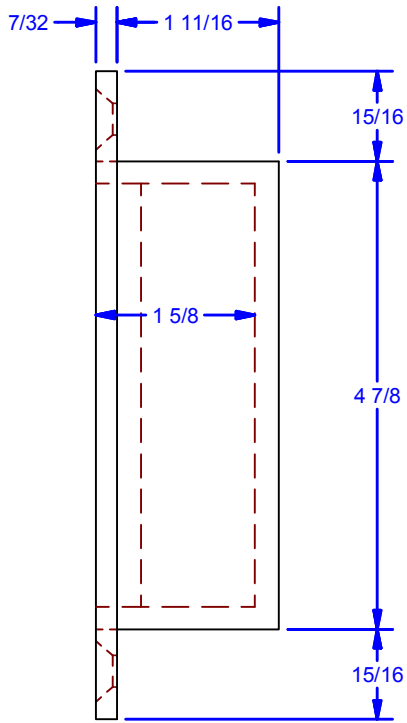
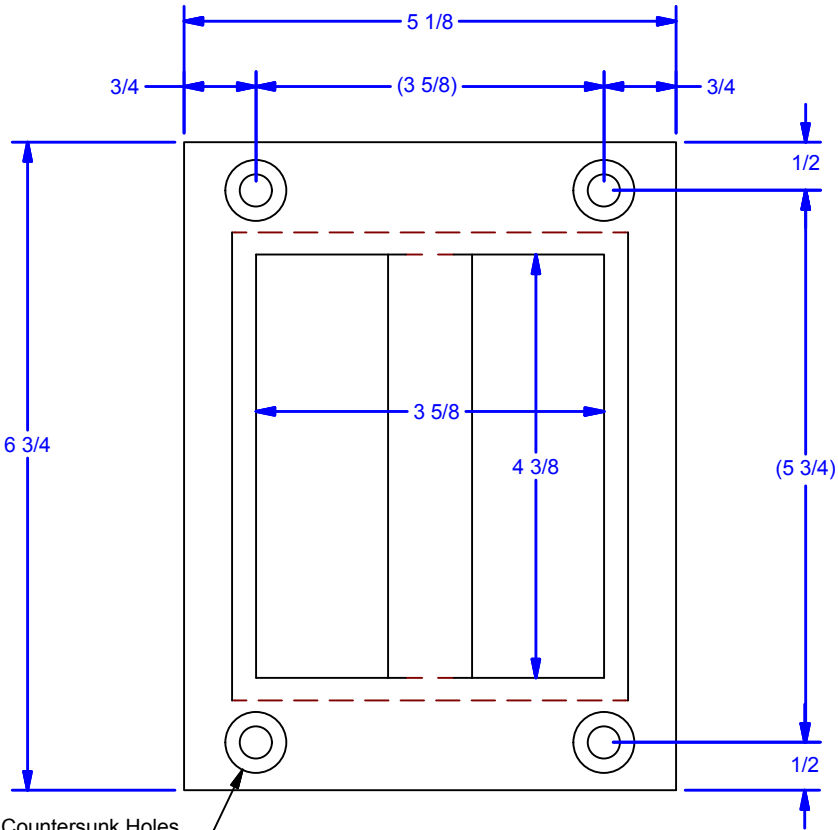
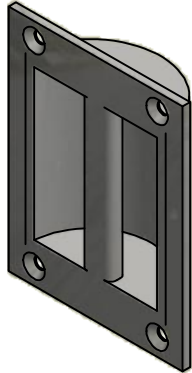
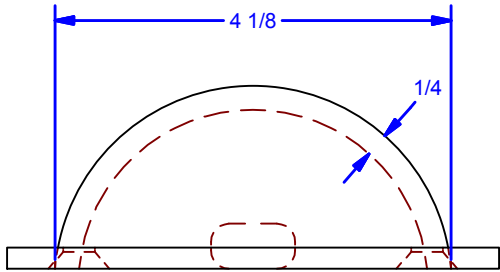
C

B

B

A

A



4X Countersunk Holes
For 5/16 Flat Head Fasteners (By Others)

WOOD DOORS: 1-7/8" or Thicker
• Mortise: 4-1/4" Wide x 5" Tall x 1-3/4" Deep.
STEEL DOORS: 1-3/4" or Thicker
Note: For reference only, not a template.

Available Finishes:
0470.00001: Powder Coat Pebble Tan
0470.00001SC: Powder Coat Black
0470.00001ZC: Clear Zinc Plated

ALL DIMENSIONS IN INCHES

THE INFORMATION CONTAINED IN THIS DRAWING IS THE SOLE PROPERTY OF CROWN INDUSTRIAL. ANY REPRODUCTION IN PART OR AS A WHOLE WITHOUT THE WRITTEN PERMISSION OF CROWN INDUSTRIAL IS PROHIBITED.	ID #: 0000666	STOCK PART #: 0470.00001
	MATERIAL: Steel, Mild	
DESCRIPTION: 470P1 Flush Pull		
FINISH:	# PCS:	REV:



CROWN INDUSTRIAL
So. San Francisco, Ca
(650) 952-5150
www.crown-industrial.com

DWG #: 470P1
DRAWN:BCM 3/27/2007
SHEET #1
File: 0000666.idw

4

3

2

1

A