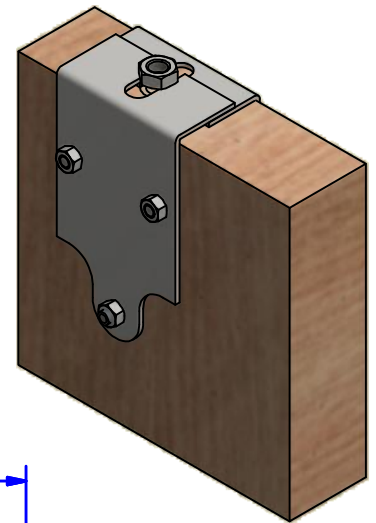
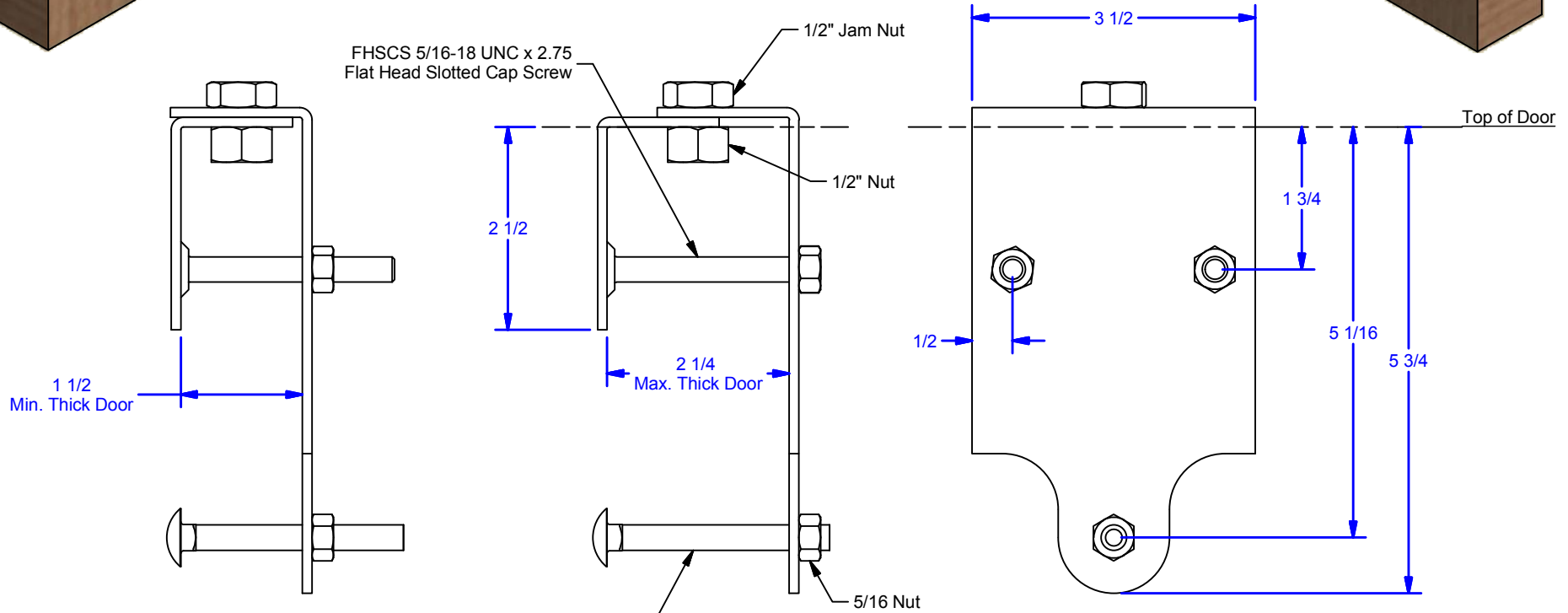


Wall Side (Back)



Front



CB-FT 5/16-18 UNC - 2.75 Zinc-2 Carriage Bolt Fully Threaded - Grade 2, Zinc

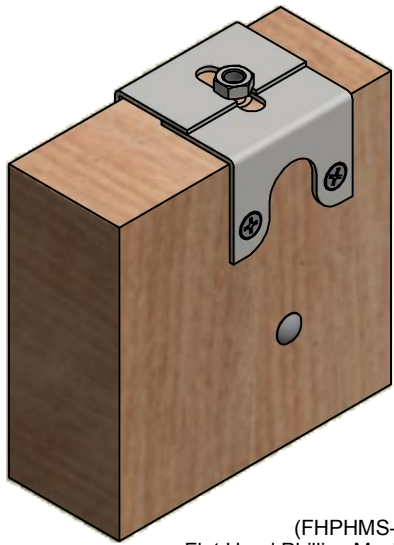
- Available Finish:**
- 4Z2A - Zinc Plated (Galvanized)
 - 4P2AB - Powder Coat Black
 - 4P2A - Powder Coat Pebble Tan
 - 4S2A - 304 Stainless Steel #4 Brushed Finish

ALL DIMENSIONS IN INCHES

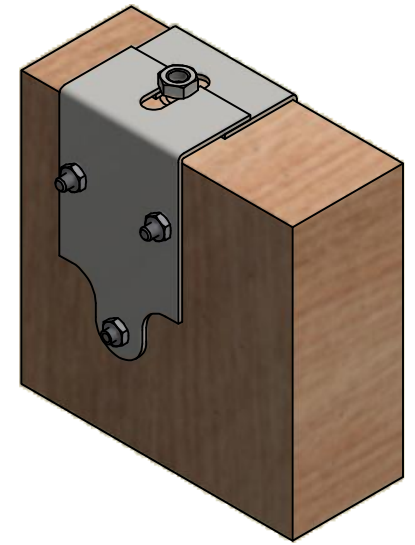
THE INFORMATION CONTAINED IN THIS DRAWING IS THE SOLE PROPERTY OF CROWN INDUSTRIAL. ANY REPRODUCTION IN PART OR AS A WHOLE WITHOUT THE WRITTEN PERMISSION OF CROWN INDUSTRIAL IS PROHIBITED.	ID #:	0001971	STOCK PART #:	4A: 42A
	MATERIAL:	Steel		
DESCRIPTION: Apron Only, 1-1/2" to 2-1/4" Thick Door				
FINISH:	# PCS:	REV:		



CROWN INDUSTRIAL
So. San Francisco, Ca
(650) 952-5150
www.crown-industrial.com

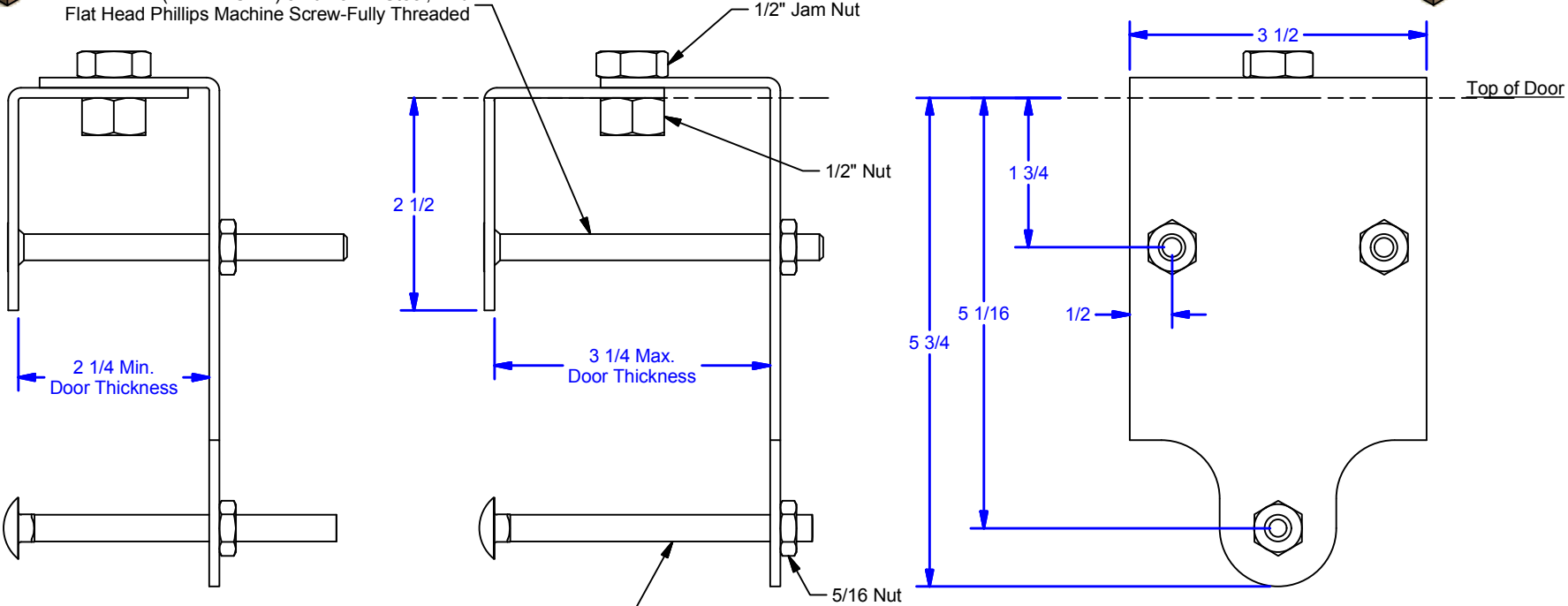


Wall Side (Back)



Front

(FHPHMS-FT) 5/16-18 x 4 Steel, Mild Flat Head Phillips Machine Screw-Fully Threaded



CB-FT 5/16-18 UNC - 3.75 Zinc-2 Carriage Bolt Fully Threaded - Grade 2, Zinc

Available Finish:
 4Z3A - Zinc Plated (Galvanized)
 4S3A - 304 Stainless Steel #4 Brushed Finish

ALL DIMENSIONS IN INCHES

THE INFORMATION CONTAINED IN THIS DRAWING IS THE SOLE PROPERTY OF CROWN INDUSTRIAL. ANY REPRODUCTION IN PART OR AS A WHOLE WITHOUT THE WRITTEN PERMISSION OF CROWN INDUSTRIAL IS PROHIBITED.

ID #: 0002025

STOCK PART #: 4A: 43A

MATERIAL: Steel

DESCRIPTION: Apron Only, 2-1/4" to 3-1/4" Thick Door

FINISH:

PCS. REV: