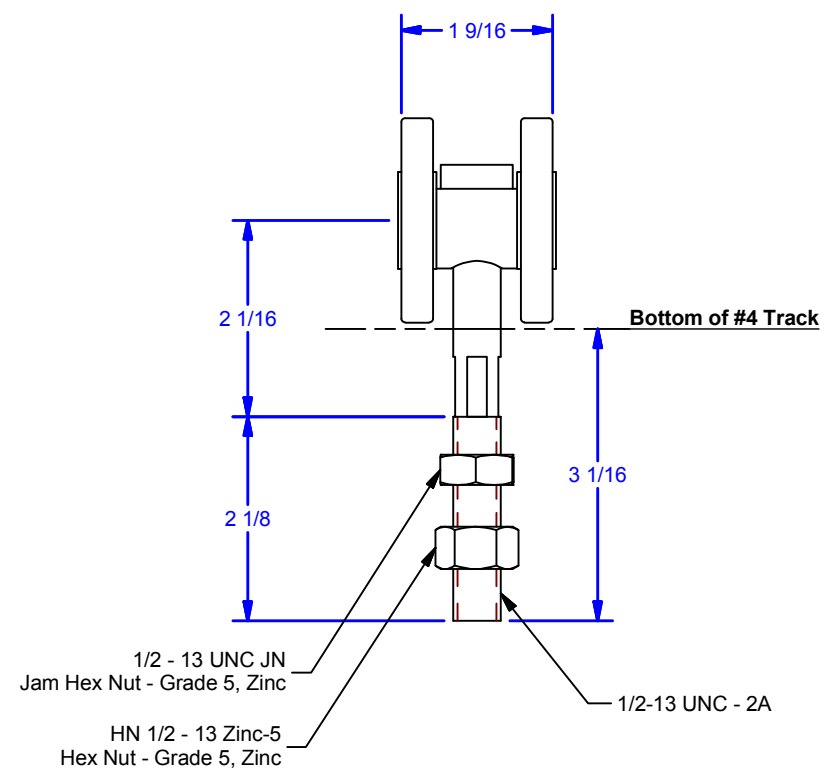
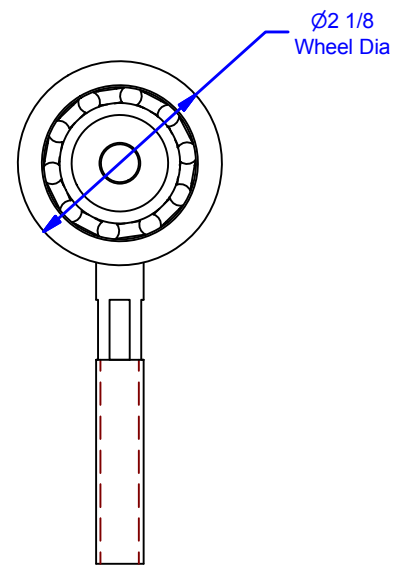
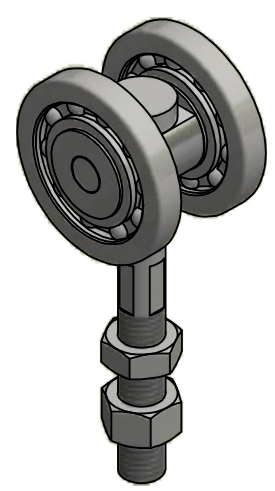


4 3 2 1



**200 lb. CAPACITY PER TROLLEY**  
Based on capacity of #4 Track.  
Use: For display racks, curtains, paneled doors, etc.

DWG #: 0002502  
DRAWN:BCM 7/20/2018  
SHEET #8  
File: 0002502.idw

**ALL DIMENSIONS IN INCHES**

THE INFORMATION CONTAINED IN THIS DRAWING IS THE SOLE PROPERTY OF CROWN INDUSTRIAL. ANY REPRODUCTION IN PART OR AS A WHOLE WITHOUT THE WRITTEN PERMISSION OF CROWN INDUSTRIAL IS PROHIBITED.	ID #: 0002706	STOCK PART #: 4Z-0
	MATERIAL: Steel	
DESCRIPTION: Two Wheel Trolley		
FINISH: Clear Zinc	# PCS:	REV:



**CROWN INDUSTRIAL**  
So. San Francisco, Ca  
(650) 952-5150  
www.crown-industrial.com

4 3 2 1