

4

3

2

1

D

D

C

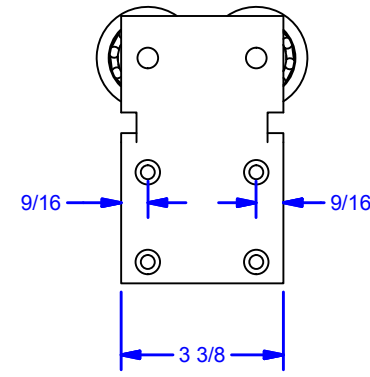
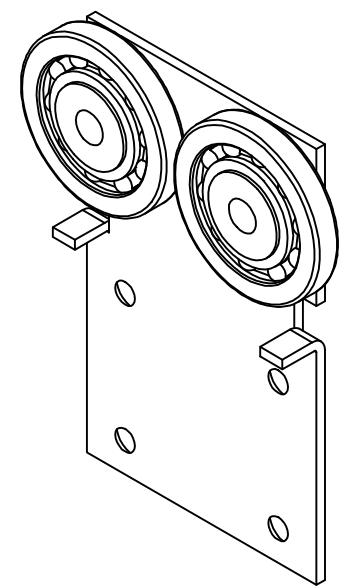
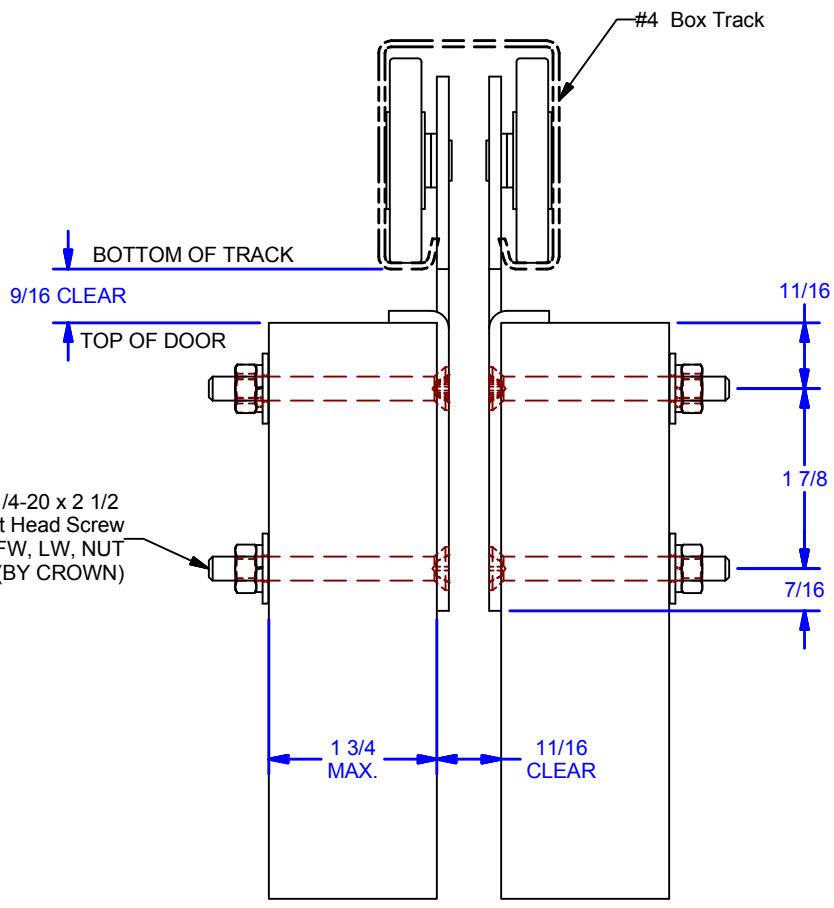
C

B

B

A

A



(4 EA.) ANSI B18.6.3 - 1/4-20 x 2 1/2
Countersunk Flat Head Screw
w/ FW, LW, NUT
ZINC PLTD. (BY CROWN)

TWO DOORS MOUNTED PARALLEL IN A SINGLE RUN OF TRACK.

*ONE PAIR OF HANGERS OPERATE ON EACH LIP AS ILLUSTRATED IN CROSS SECTION. EACH INSTALLATION REQUIRES (2) PAIRS OF HANGERS.

USE-For parallel doors no thicker than 1-3/4", weighing up to 150lbs. (300 lbs. Total).
To be used w/ #4 Box Track.

CONSTRUCTION-Steel Wheels, 2-1/8" diameter. Bearings, ball.

FINISH-Zinc Plated.

PACKAGED-One pair in box with fasteners.

WEIGHT-Per pair, 3 1/2 lbs.

DWG #: 4Z-F
DRAWN:WRM 1/16/2008
SHEET #1
File: 0000121.idw

ALL DIMENSIONS IN INCHES

THE INFORMATION CONTAINED IN THIS DRAWING IS THE SOLE PROPERTY OF CROWN INDUSTRIAL. ANY REPRODUCTION IN PART OR AS A WHOLE WITHOUT THE WRITTEN PERMISSION OF CROWN INDUSTRIAL IS PROHIBITED.	ID #:	0000121	STOCK PART #:	4Z-F
	MATERIAL:	Steel		
DESCRIPTION: Flat Plate Hanger (300lbs)				
FINISH:	US2C-Clear Zinc	# PCS:	1	REV:



CROWN INDUSTRIAL
So. San Francisco, Ca
(650) 952-5150
www.crown-industrial.com

4

3

2

1

