

4

3

2

1

D

D

C

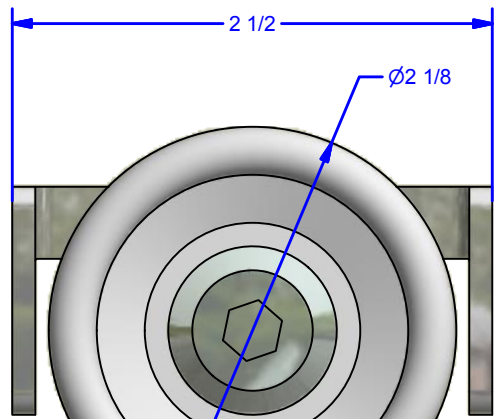
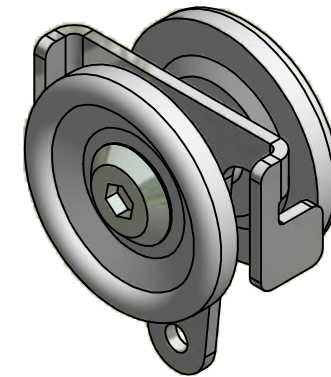
C

B

B

A

A

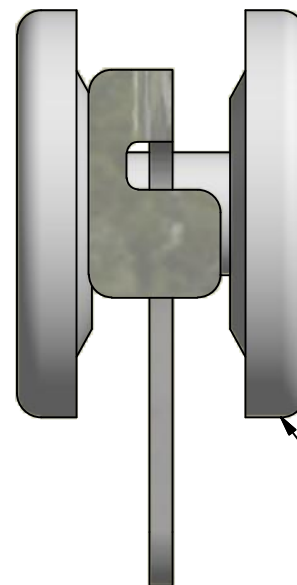


Bottom of #4 Track

1/2

5/16

Ø1/4 Hole
For Hook (By Others)



Industrial Nylon Wheel

ALL DIMENSIONS IN INCHES

THE INFORMATION CONTAINED IN THIS DRAWING IS THE SOLE PROPERTY OF CROWN INDUSTRIAL. ANY REPRODUCTION IN PART OR AS A WHOLE WITHOUT THE WRITTEN PERMISSION OF CROWN INDUSTRIAL IS PROHIBITED.

ID #: 0002301

STOCK PART #: 4Z5P

MATERIAL:

DESCRIPTION:
Utility Hanger-Medium Duty (75 lb cap)

FINISH:
Clear Zinc

# PCS:	1
REV:	



CROWN INDUSTRIAL

So. San Francisco, Ca
(650) 952-5150

www.crown-industrial.com

DWG #: 0002502
DRAWN:BCM 6/24/2016
SHEET #6

File: 0002502.idw

4

3

2

1

