

4

3

2

1

D

D

C

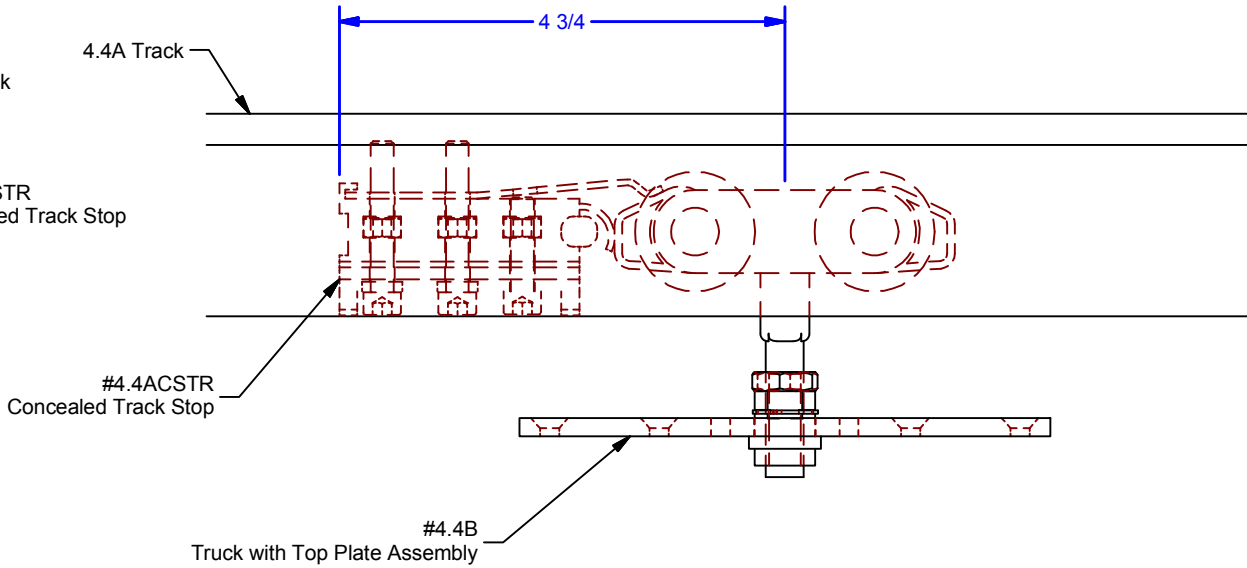
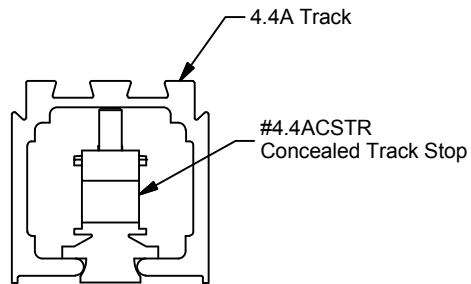
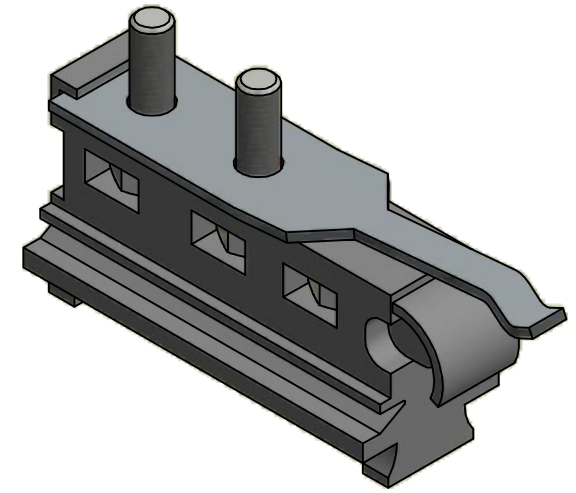
C

B

B

A

A



ALL DIMENSIONS IN INCHES

THE INFORMATION CONTAINED IN THIS DRAWING IS THE SOLE PROPERTY OF CROWN INDUSTRIAL. ANY REPRODUCTION IN PART OR AS A WHOLE WITHOUT THE WRITTEN PERMISSION OF CROWN INDUSTRIAL IS PROHIBITED.	ID #:	0001192	STOCK PART #:	4.4ACSTR
	MATERIAL:			
DESCRIPTION: Concealed Track Stop for #4.4 Track				
FINISH:		# PCS:	REV:	



CROWN INDUSTRIAL
 So. San Francisco, Ca
 (650) 952-5150
www.crown-industrial.com

DWG #: 0000992
 DRAWN:BCM 11/14/2011
 SHEET #5
 File: 0000992.idw

4

3

2

1

A