

4

3

2

1

D

D

C

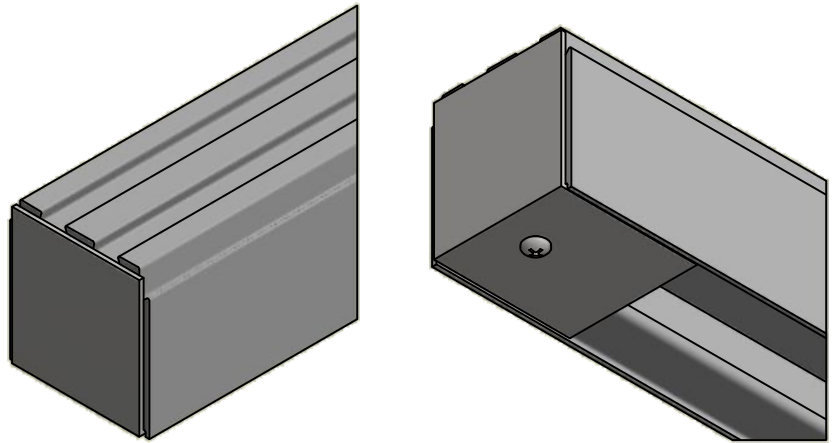
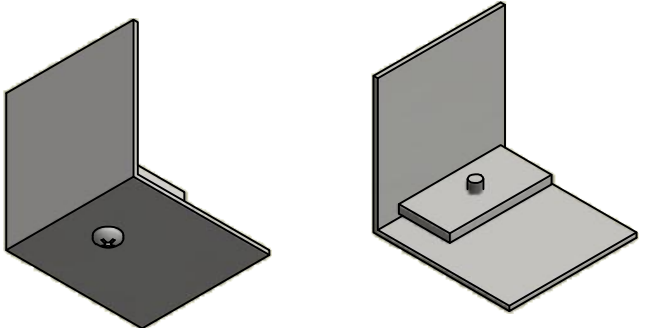
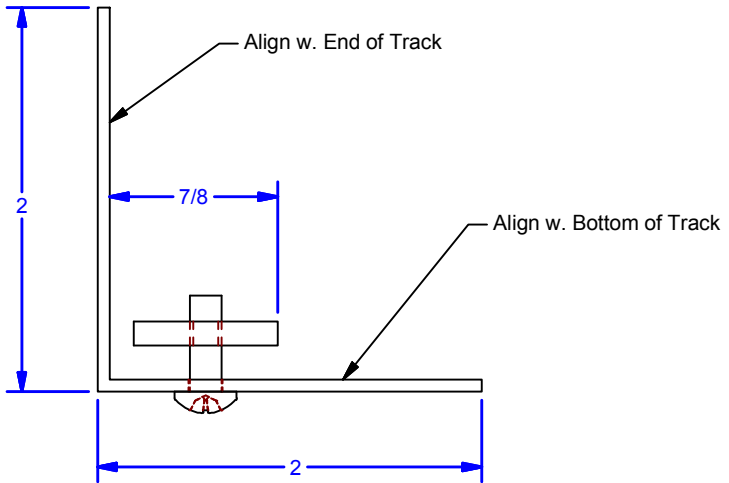
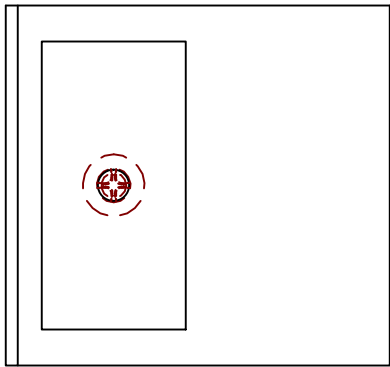
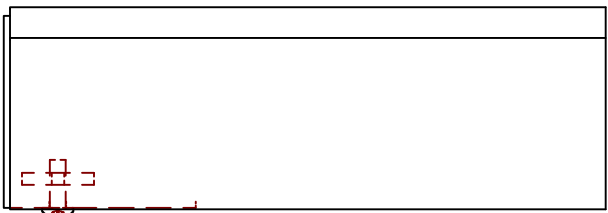
C

B

B

A

A



End Blind Installed In Track

DWG #: 0000992
 DRAWN:BCM 8/1/2018
 SHEET #6
 File: 0000992.idw

ALL DIMENSIONS IN INCHES			
THE INFORMATION CONTAINED IN THIS DRAWING IS THE SOLE PROPERTY OF CROWN INDUSTRIAL. ANY REPRODUCTION IN PART OR AS A WHOLE WITHOUT THE WRITTEN PERMISSION OF CROWN INDUSTRIAL IS PROHIBITED.	ID #:	STOCK PART #:	
	0002714	4.4Ax2	
MATERIAL:		# PCS. REV:	
6061-Aluminum			
DESCRIPTION:			
End Blind for 4.4 Track			
FINISH:			
Clear Anodized Aluminum			

CROWN INDUSTRIAL
 So. San Francisco, Ca
 (650) 952-5150
www.crown-industrial.com

4

3

2

1