

4

3

2

1

D

D

C

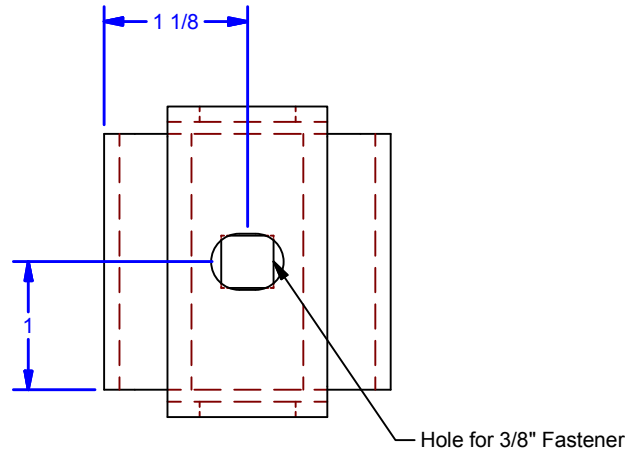
C

B

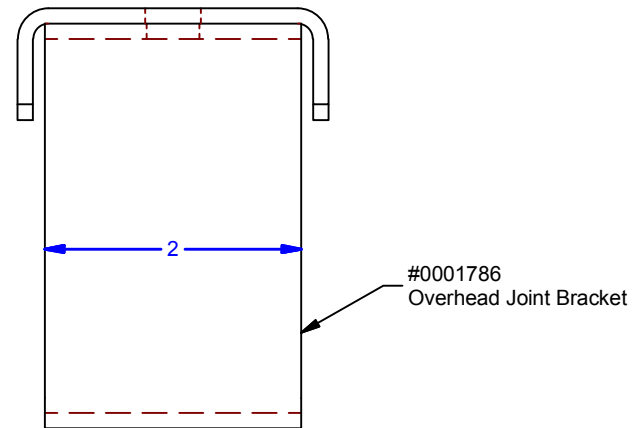
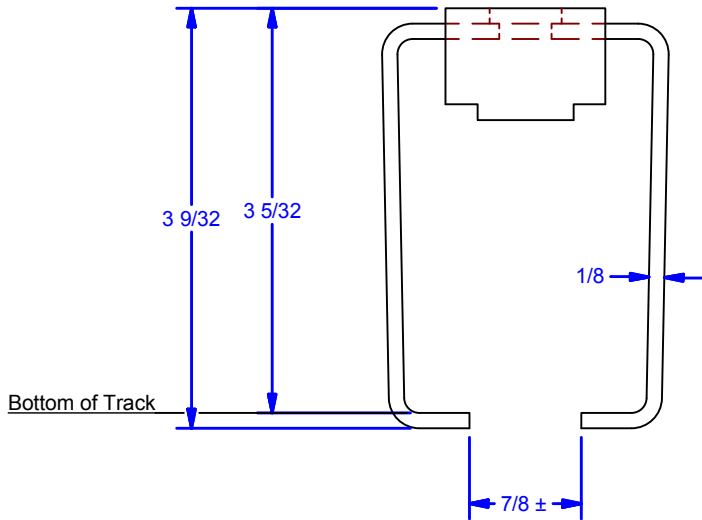
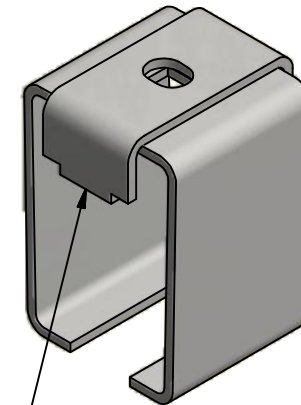
B

A

A



#0001784  
 #4 Joint Bracket Clip  
 \*Used to join two tracks together.  
 Slide tracks into bracket,  
 drop bent ends of clip into holes  
 placed in the tops of each track.



**Note:**  
 30" On Center Maximum Bracket Spacing

- Available Finishes:**
- Powder Coat Black
  - Powder Coat Pebble Tan
  - Galvanized
  - 304 Stainless Steel - #2B Mill Finish
  - 304 Stainless Steel - #4 Brushed Finish

DWG #: 0002502  
 DRAWN:BCM 12/23/2014  
 SHEET #5  
 File: 0002502.idw

**ALL DIMENSIONS IN INCHES**

THE INFORMATION CONTAINED IN THIS DRAWING IS THE SOLE PROPERTY OF CROWN INDUSTRIAL. ANY REPRODUCTION IN PART OR AS A WHOLE WITHOUT THE WRITTEN PERMISSION OF CROWN INDUSTRIAL IS PROHIBITED.	PART #:	STOCK #:
	0001787	4x189
DESCRIPTION:	Overhead Joint Bracket	
FINISH:	# PCS:	REV:
	1	



**CROWN INDUSTRIAL**  
 So. San Francisco, Ca  
 (650) 952-5150  
 www.crown-industrial.com

4

3

2

1