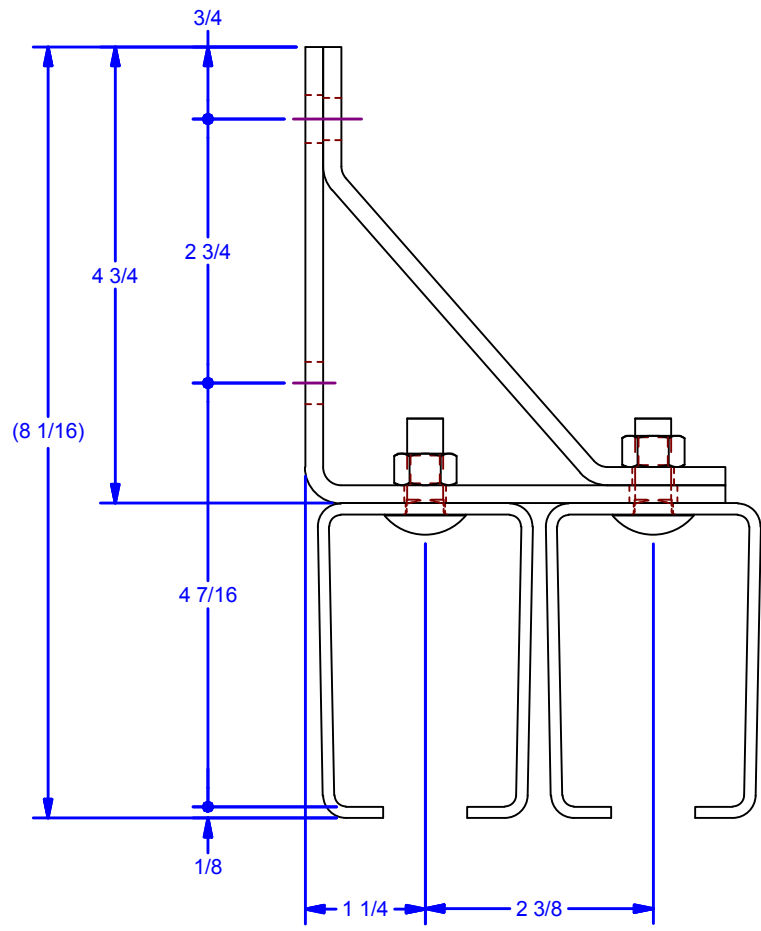
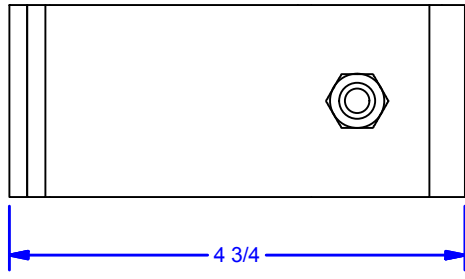


4

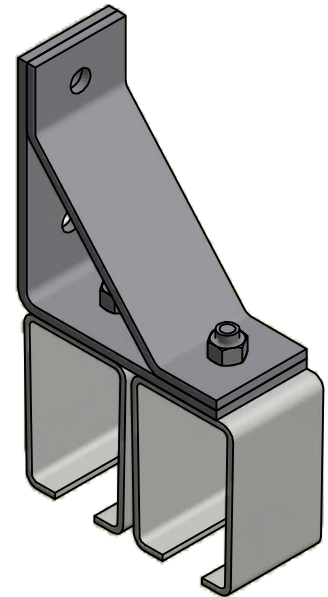
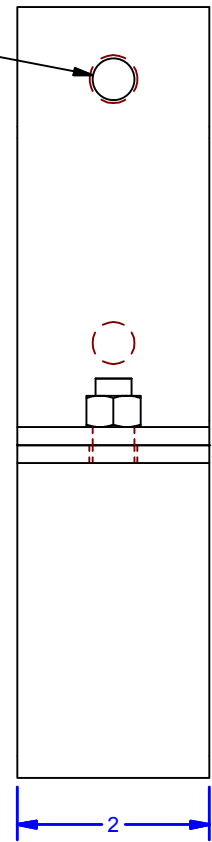
3

2

1



2X Ø7/16 THRU
For 3/8 Fasteners (By Others)



Note:
30" Centers Maximum Bracket Spacing
up to 400 lb capacity
For 1-3/4" Thick Doors, STANDARD CONFIGURATION

Avail. Finishes:
Powder Coat Black
Powder Coat Pebble Tan
Galvanized
304 Stainless Steel w. #2B Mill Finish
304 Stainless Steel w. #4 Brushed Finish

DWG #: 0000469
DRAWN:BCM 2/26/2008
SHEET #1
File: 0000469.idw

ALL DIMENSIONS IN INCHES

THE INFORMATION CONTAINED IN THIS DRAWING IS THE SOLE PROPERTY OF CROWN INDUSTRIAL. ANY REPRODUCTION IN PART OR AS A WHOLE WITHOUT THE WRITTEN PERMISSION OF CROWN INDUSTRIAL IS PROHIBITED.	ID #:	0000802	STOCK PART #:	4X22
	MATERIAL:			
DESCRIPTION: Double Center Bracket				
FINISH:		# PCS:	REV:	



CROWN INDUSTRIAL
So. San Francisco, Ca
(650) 952-5150
www.crown-industrial.com

4

3

2

1

4

3

2

1

D

D

C

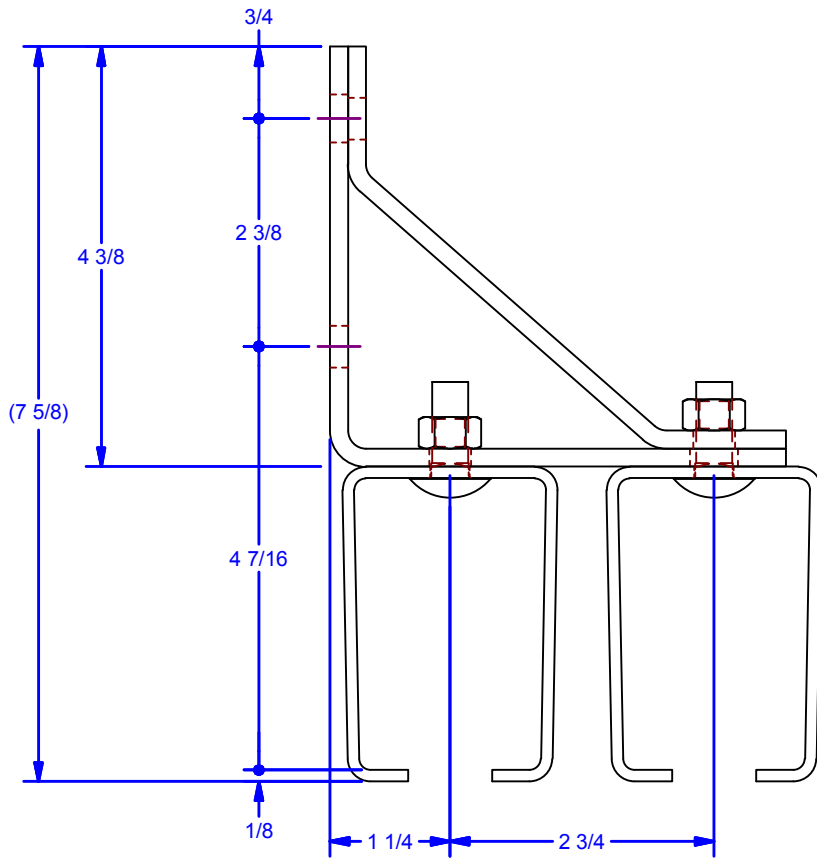
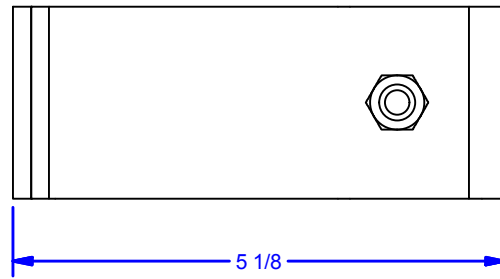
C

B

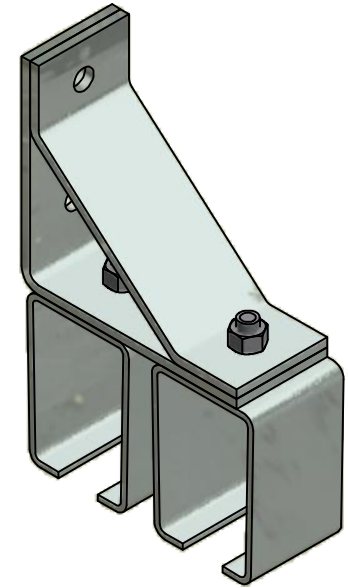
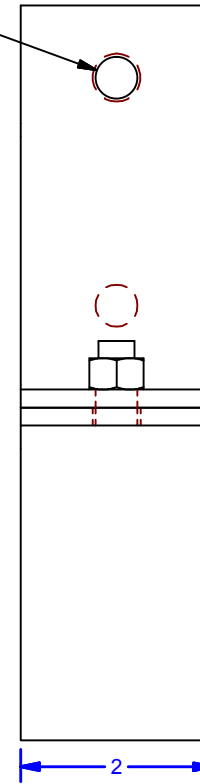
B

A

A



2X Ø7/16 THRU
For 3/8 Fasteners (By Others)



Note:
30" Centers Maximum Bracket Spacing
up to 400 lb capacity
For 2" to 2-3/8" Thick Doors, Alternate Configuration

Avail. Finishes:
Powder Coat Black
Powder Coat Pebble Tan
Galvanized
304 Stainless Steel w. #2B Mill Finish
304 Stainless Steel w. #4 Brushed Finish

DWG #: 0000469
DRAWN:BCM 2/26/2008
SHEET #2
File: 0000469.idw

ALL DIMENSIONS IN INCHES

THE INFORMATION CONTAINED IN THIS DRAWING IS THE SOLE PROPERTY OF CROWN INDUSTRIAL. ANY REPRODUCTION IN PART OR AS A WHOLE WITHOUT THE WRITTEN PERMISSION OF CROWN INDUSTRIAL IS PROHIBITED.	ID #:	STOCK PART #:
	0000469	4x22
MATERIAL:		
DESCRIPTION: Double Center Bracket, Alternate Configuration		
FINISH:	# PCS:	REV:



CROWN INDUSTRIAL
So. San Francisco, Ca
(650) 952-5150
www.crown-industrial.com

4

3

2

1

