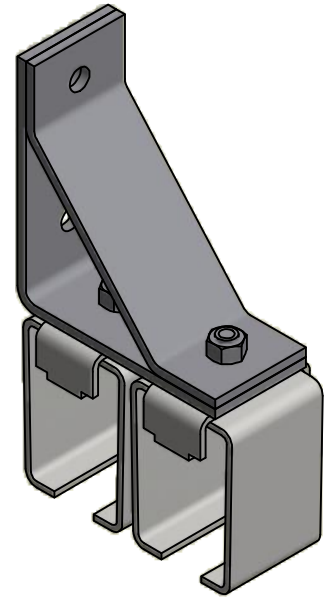
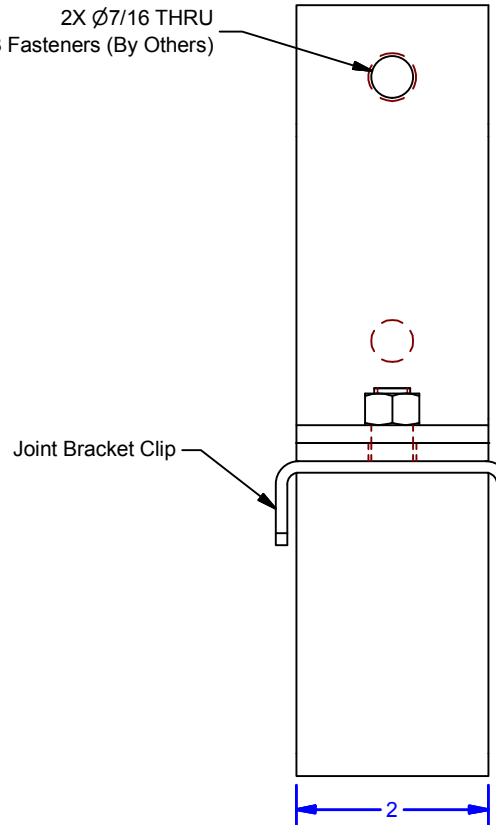


Note:
For Joining Two Sections of Track Together.

2X $\phi 7/16$ THRU
For 3/8 Fasteners (By Others)



ALL DIMENSIONS IN INCHES

THE INFORMATION CONTAINED IN THIS DRAWING IS THE SOLE PROPERTY OF CROWN INDUSTRIAL. ANY REPRODUCTION IN PART OR AS A WHOLE WITHOUT THE WRITTEN PERMISSION OF CROWN INDUSTRIAL IS PROHIBITED.	ID #:	0002566	STOCK PART #:	4x229
	MATERIAL:			
DESCRIPTION: Double Joint Bracket				
FINISH:	# PCS:	1	REV:	

DWG #: 0000469
DRAWN: BCM 11/13/2017
SHEET #3
File: 0000469.idw



CROWN INDUSTRIAL
So. San Francisco, Ca
(650) 952-5150
www.crown-industrial.com