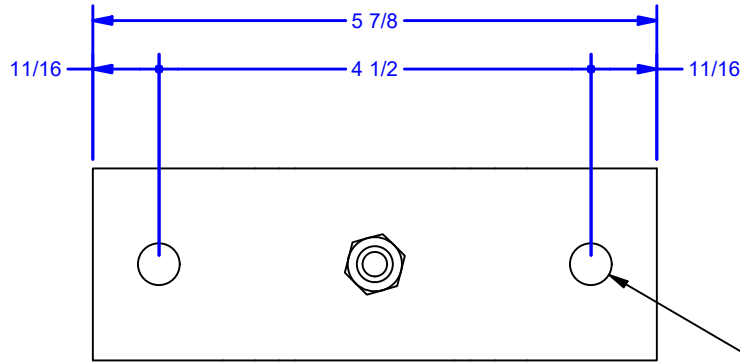


4

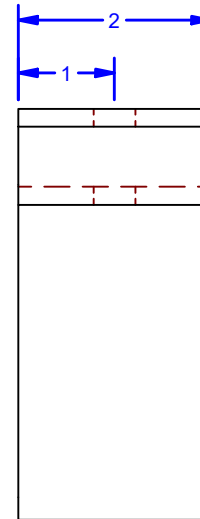
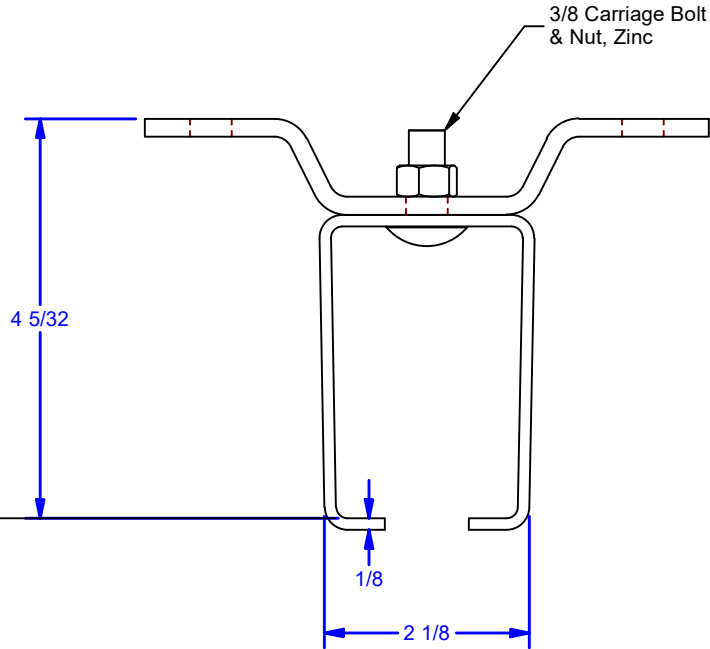
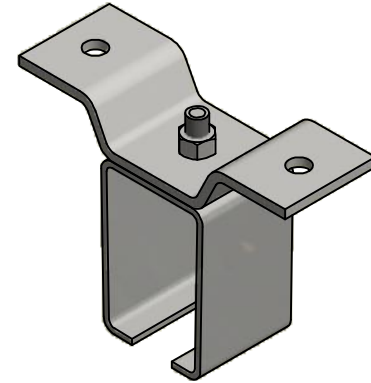
3

2

1



3X Ø7/16 THRU
For 3/8 Fastener



Note:
30" On Center Maximum Bracket Spacing

- Available Finishes:**
- Powder Coat Black
 - Powder Coat Pebble Tan
 - Galvanized
 - 304 Stainless Steel - #2B Mill Finish
 - 304 Stainless Steel - #4 Brushed Finish

ALL DIMENSIONS IN INCHES

| | | |
|--|---------|----------|
| THE INFORMATION CONTAINED IN THIS DRAWING IS THE SOLE PROPERTY OF CROWN INDUSTRIAL. ANY REPRODUCTION IN PART OR AS A WHOLE WITHOUT THE WRITTEN PERMISSION OF CROWN INDUSTRIAL IS PROHIBITED. | PART #: | STOCK #: |
| | 0001792 | 4x5 |
| DESCRIPTION: | | |
| Cross Ear Center Bracket | | |
| FINISH: | # PCS: | REV: |
| | | |



CROWN INDUSTRIAL
So. San Francisco, Ca
(650) 952-5150
www.crown-industrial.com

DWG #: 0002502
DRAWN:BCM 12/24/2014
SHEET #11

File: 0002502.idw

4

3

2

1

A

A

D

D

C

C

B

B

A

A