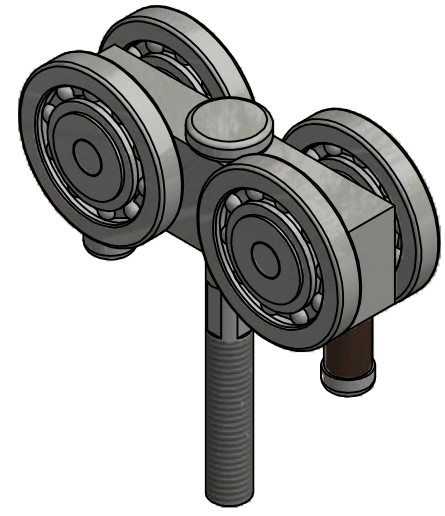
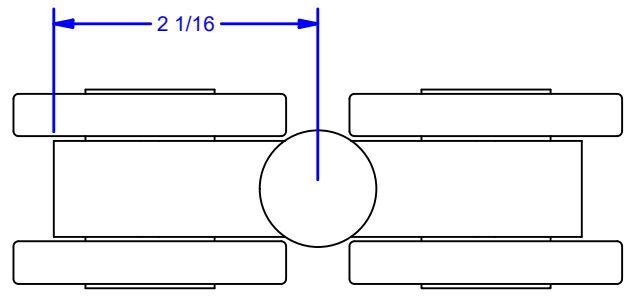


4 | 3 | 2 | 1

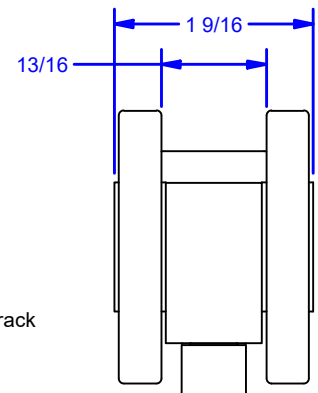
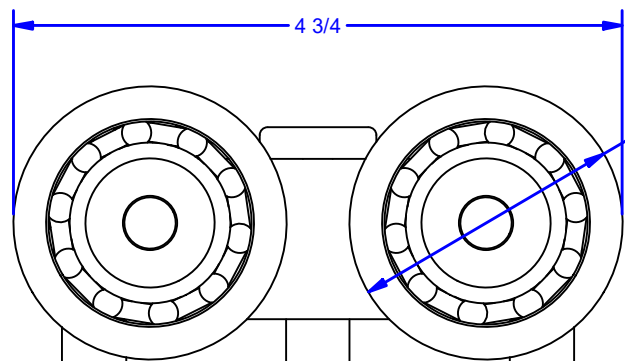
D

D



C

C



Bottom of #5 Track

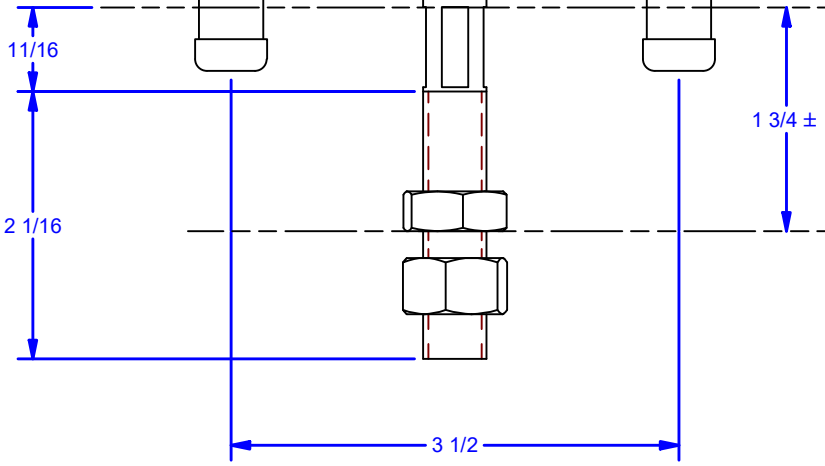
Top of Door

1/2 - 13 UNC JN
Jam Hex Nut - Grade 5, Zinc

HN 1/2 - 13 Zinc-5
Hex Nut - Grade 5, Zinc

B

B



B

B

A

A

DWG #: 0002109
DRAWN:BCM 9/18/2015
SHEET #1
File: 0002109.idw

ALL DIMENSIONS IN INCHES

THE INFORMATION CONTAINED IN THIS DRAWING IS THE SOLE PROPERTY OF CROWN INDUSTRIAL. ANY REPRODUCTION IN PART OR AS A WHOLE WITHOUT THE WRITTEN PERMISSION OF CROWN INDUSTRIAL IS PROHIBITED.	ID #:	0002105	STOCK PART #:	5-1B
	MATERIAL:			
DESCRIPTION: Four Wheel Truck for #5 Track				
FINISH: Zinc	# PCS:	1	REV:	



CROWN INDUSTRIAL
So. San Francisco, Ca
(650) 952-5150
www.crown-industrial.com

4 | 3 | 2 | 1

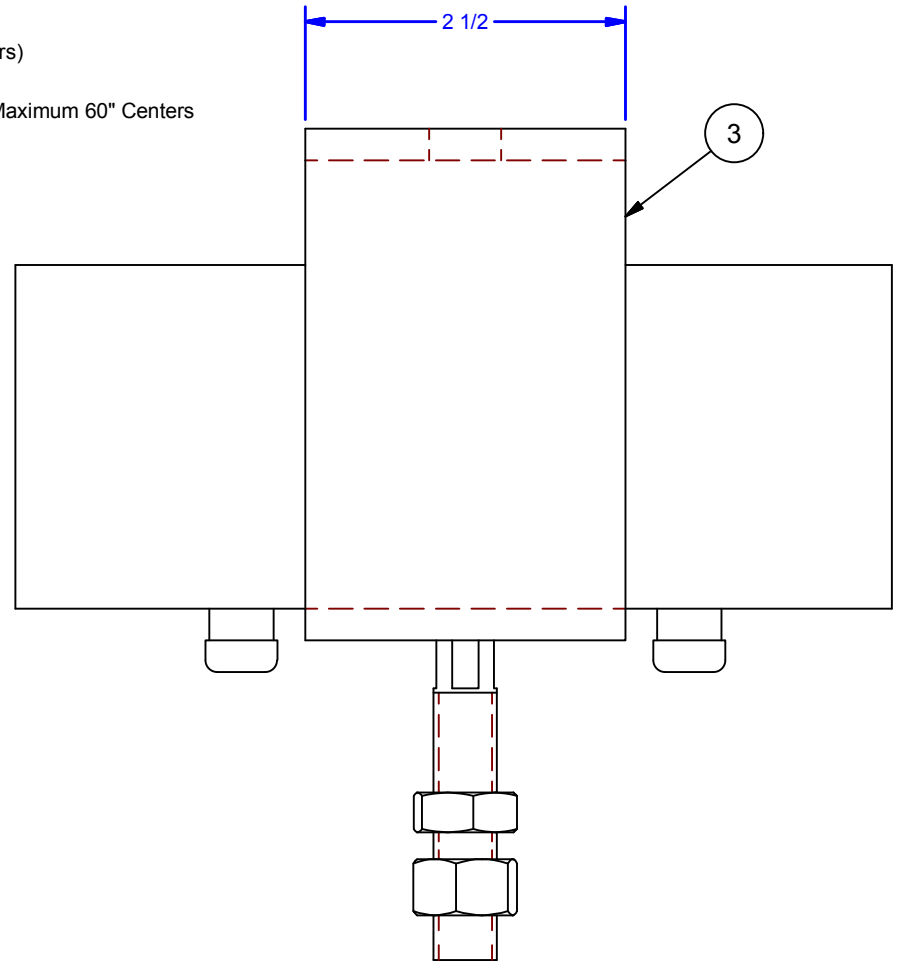
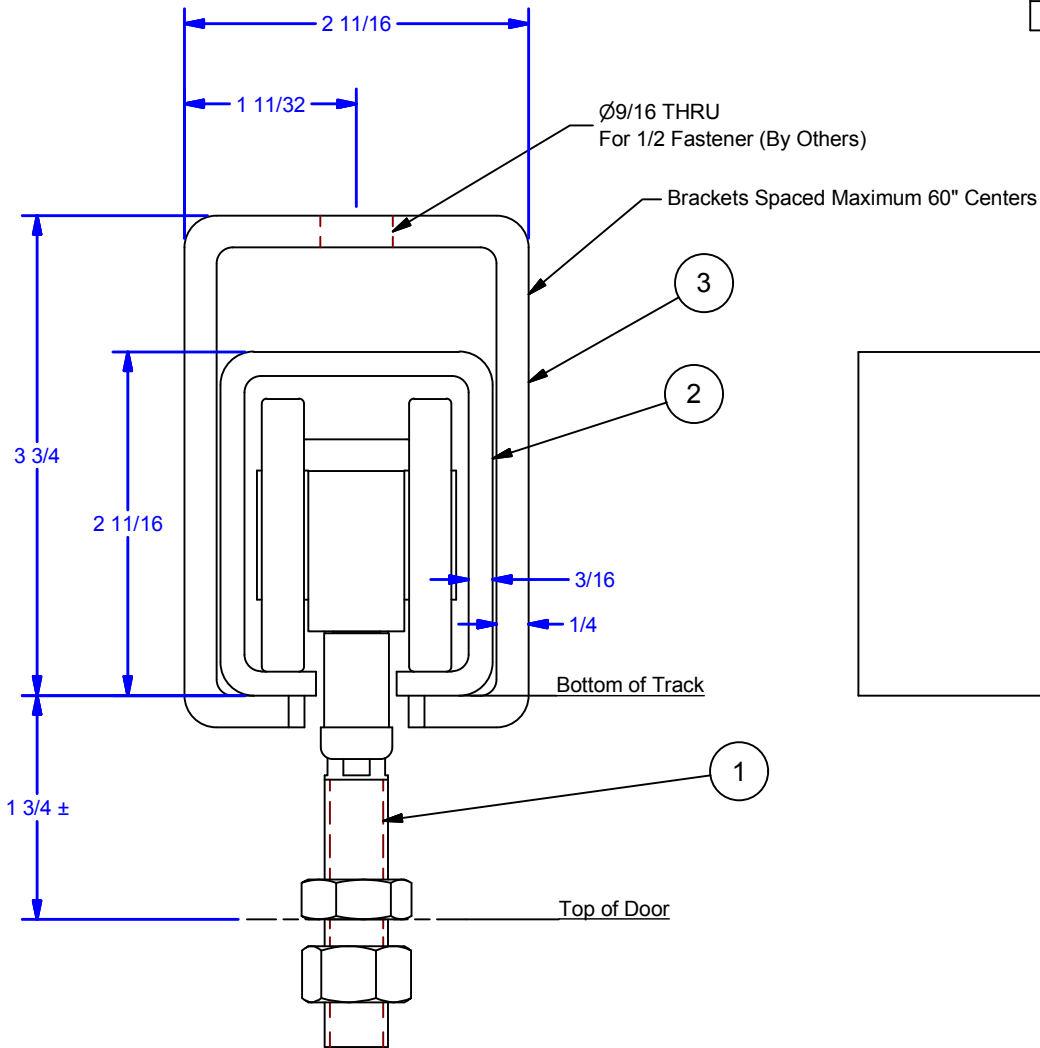
4

3

2

1

Parts List				
ITEM	QTY	ID #	DESCRIPTION	STOCK PART #
1	1	0002105	Four Wheel Truck for #5 Track	5-1B
2	1	0000107	#5 Track	5P10'
3	1	0000724	#5 Overhead Bracket	5x18



ALL DIMENSIONS IN INCHES

THE INFORMATION CONTAINED IN THIS DRAWING IS THE SOLE PROPERTY OF CROWN INDUSTRIAL. ANY REPRODUCTION IN PART OR AS A WHOLE WITHOUT THE WRITTEN PERMISSION OF CROWN INDUSTRIAL IS PROHIBITED.	ID #: 0002458	STOCK PART #:
	MATERIAL:	
DESCRIPTION: 5-1B Truck w/ Track Hardware		
FINISH:	# PCS: 1	REV.:



CROWN INDUSTRIAL
 So. San Francisco, Ca
 (650) 952-5150
 www.crown-industrial.com

DWG #: 0002109
 DRAWN:BCM 4/20/2017
 SHEET #2
 File: 0002109.idw

4

3

2

1

D

C

B

A

D

C

B

A

4

3

2

1

Parts List

ITEM	QTY	ID #	DESCRIPTION	STOCK PART #
1	1	0002105	Four Wheel Truck for #5 Track	5-1B
2	1	0000107	#5 Track	5P10'
4	1	0000822	Sidewall Center Bracket Assy, #5 Track w/ #6 Angle Clip	5x1

2-11/16" to 3-5/16"

Ø9/16 THRU
For 1/2 Fastener (By Others)

5/8

4

Brackets Spaced Maximum 60" Centers

5 5/8

2

2 11/16

1/4

3/16

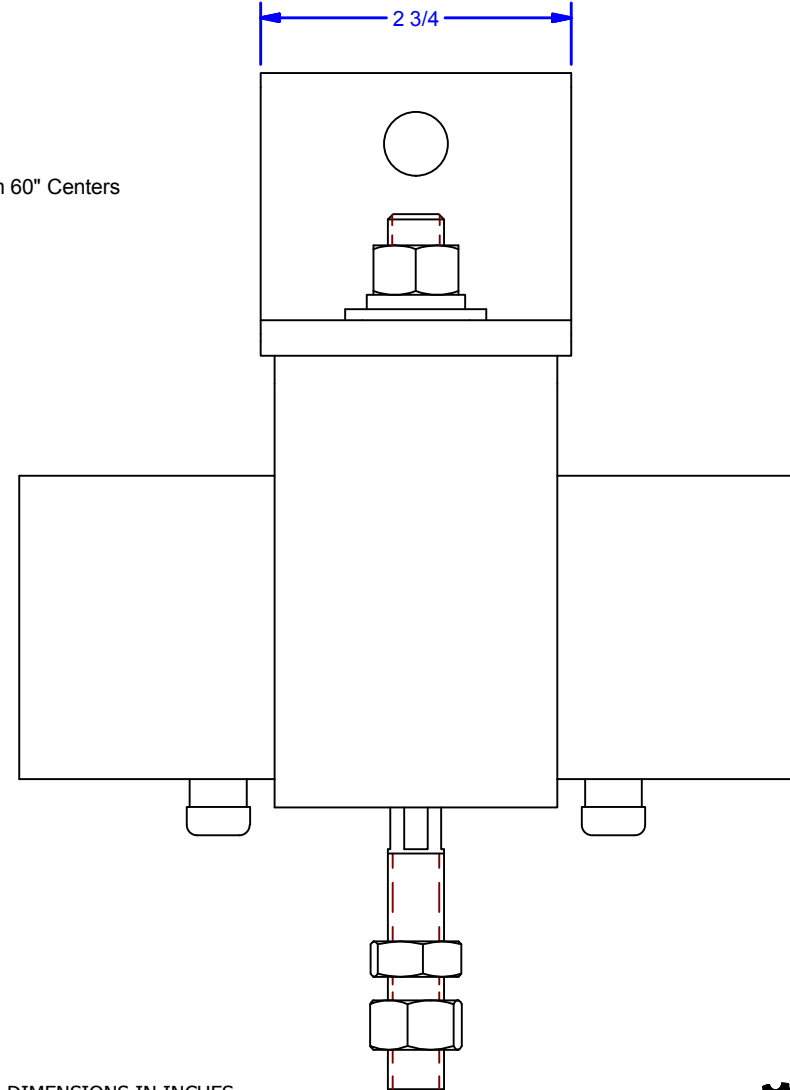
Bottom of Track

1 3/4 ±

1

Top of Door

2 3/4



ALL DIMENSIONS IN INCHES

THE INFORMATION CONTAINED IN THIS DRAWING IS THE SOLE PROPERTY OF CROWN INDUSTRIAL. ANY REPRODUCTION IN PART OR AS A WHOLE WITHOUT THE WRITTEN PERMISSION OF CROWN INDUSTRIAL IS PROHIBITED.	ID #: 0002458	STOCK PART #:
DESCRIPTION: 5-1B Truck w/ Track Hardware	MATERIAL:	
FINISH:	# PCS: 1	REV:



CROWN INDUSTRIAL

So. San Francisco, Ca
(650) 952-5150

www.crown-industrial.com

DWG #: 0002109
DRAWN:BCM 4/20/2017
SHEET #3

File: 0002109.idw

4

3

2

1

D

C

B

A

D

C

B

A

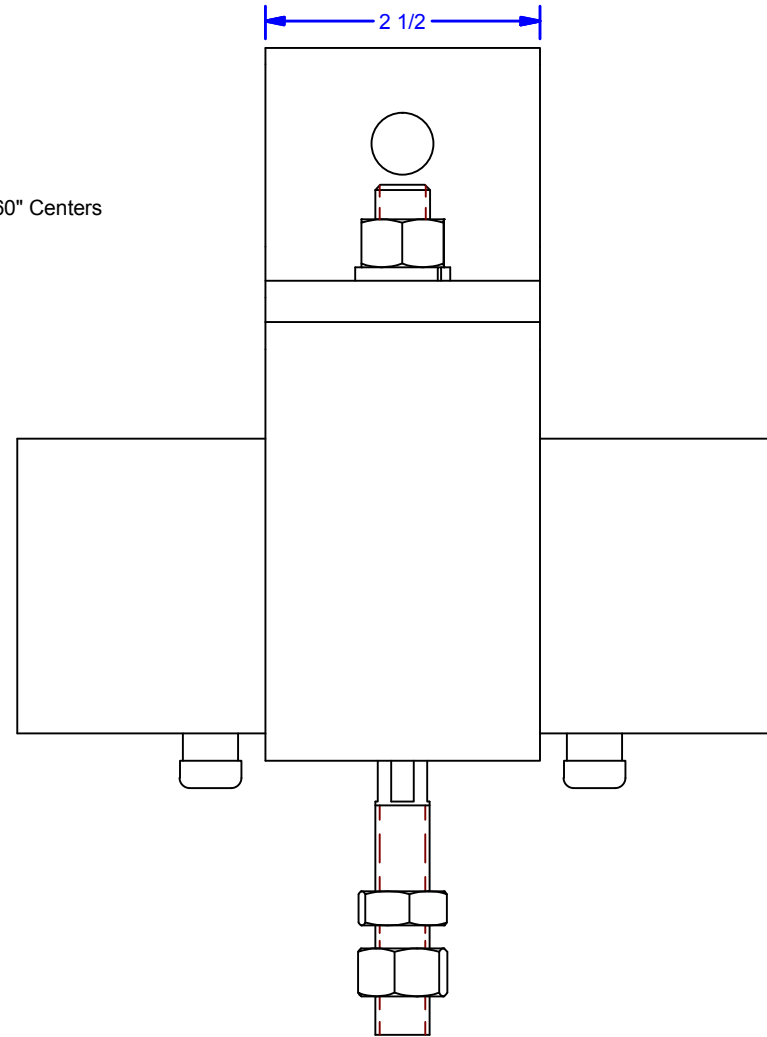
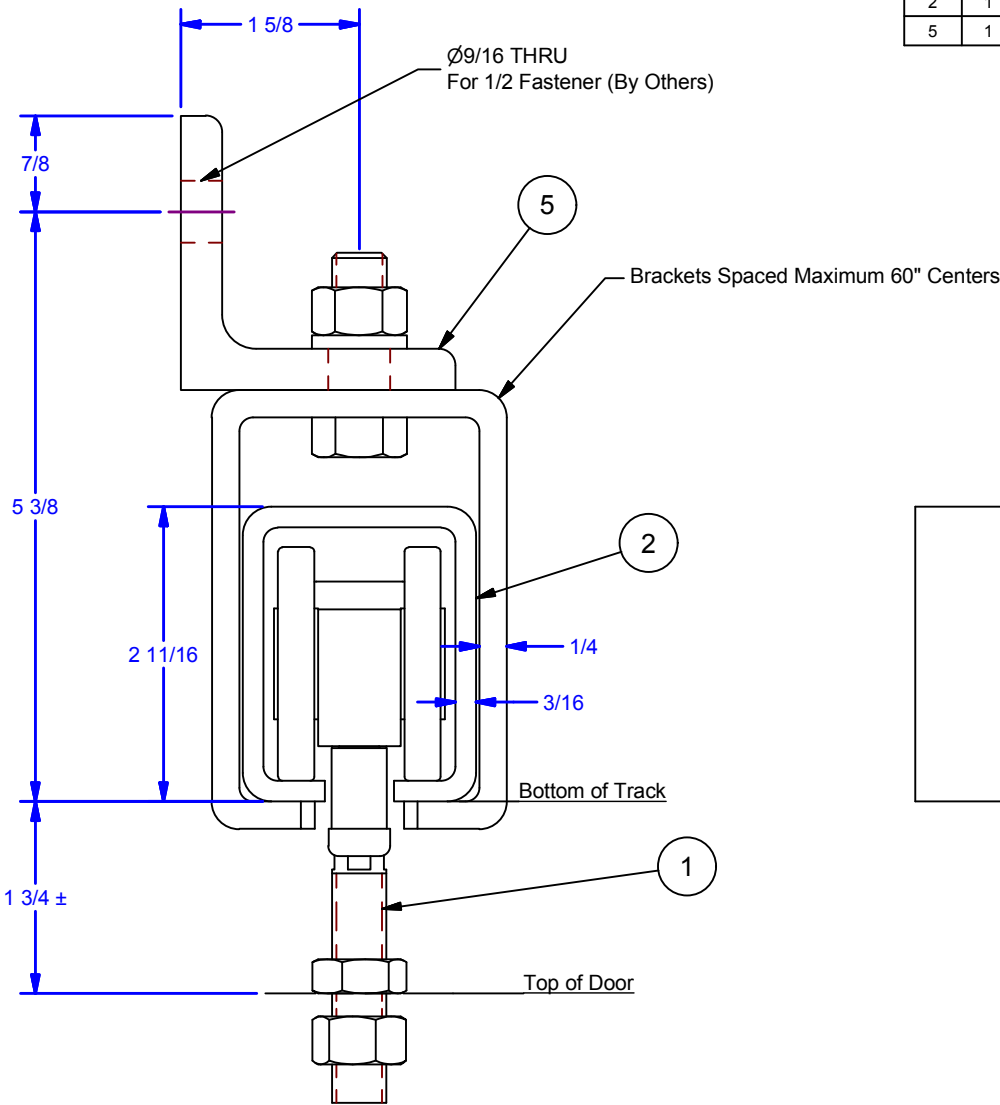
4

3

2

1

Parts List				
ITEM	QTY	ID #	DESCRIPTION	STOCK PART #
1	1	0002105	Four Wheel Truck for #5 Track	5-1B
2	1	0000107	#5 Track	5P10'
5	1	0000912	Sidewall Center Bracket Assy, #5 Track w/ #5 Angle Clip (Not Std.)	5x1 SPL



ALL DIMENSIONS IN INCHES

THE INFORMATION CONTAINED IN THIS DRAWING IS THE SOLE PROPERTY OF CROWN INDUSTRIAL. ANY REPRODUCTION IN PART OR AS A WHOLE WITHOUT THE WRITTEN PERMISSION OF CROWN INDUSTRIAL IS PROHIBITED.	ID #:	0002458	STOCK PART #:
	MATERIAL:		
DESCRIPTION: 5-1B Truck w/ Track Hardware			
FINISH:	# PCS:	1	REV:



CROWN INDUSTRIAL
 So. San Francisco, Ca
 (650) 952-5150
www.crown-industrial.com

DWG #: 0002109
 DRAWN:BCM 4/20/2017
 SHEET #4
 File: 0002109.idw

4

3

2

1

D

C

B

A

D

C

B

A