

4

3

2

1

D

D

C

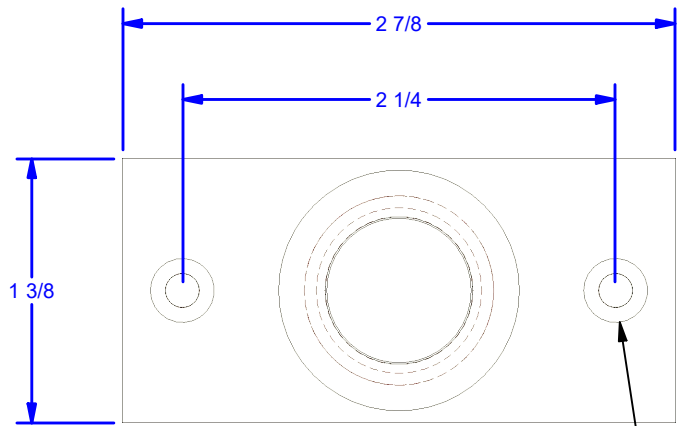
C

B

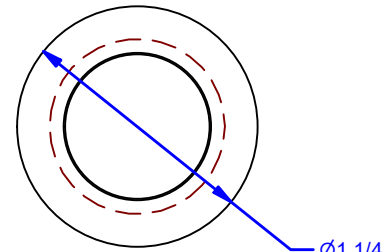
B

A

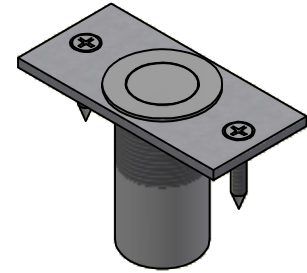
A



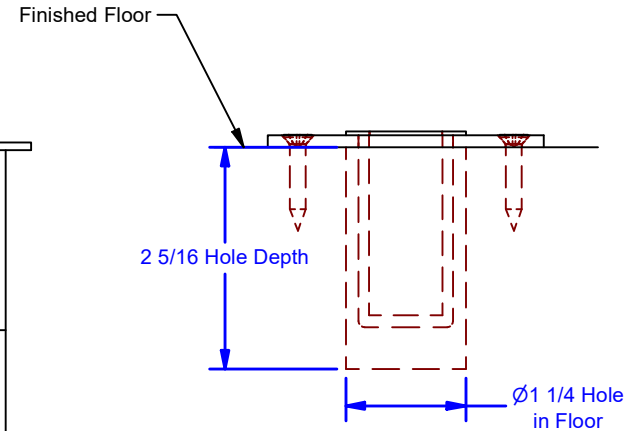
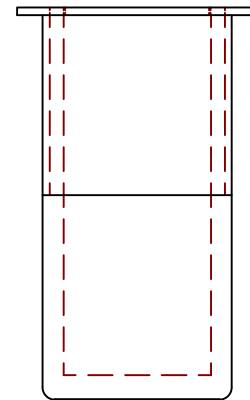
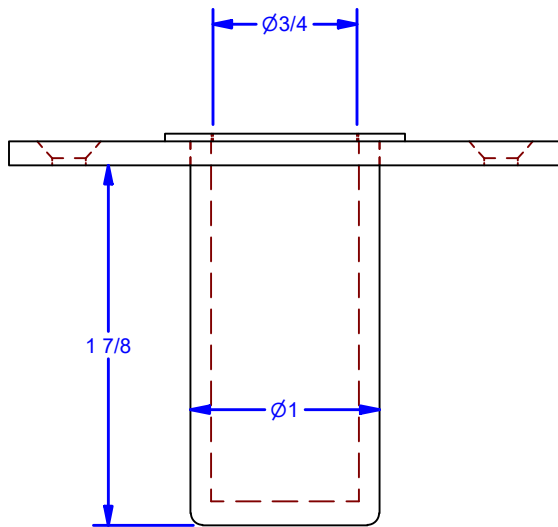
With Face Plate



Without Removable Face Plate



2X Countersunk Holes
For #8 Flat Head Machine Screw (82)



Dust Proof Strike can be used with 0524.000021 5/8" OD Cane Bolt
Includes:

- #8x1" Sheet Metal Scrs with Plastic Anchors
- Faceplate is removable to work with thresholds.
- Adjustable Height

Avail. Finishes: US26D/626, US3/605, US4/606 US10/612, US10B/613, US26/625

DWG #: 0002698
DRAWN:BCM 6/26/2018
SHEET #5
File: 0002698.idw

ALL DIMENSIONS IN INCHES

THE INFORMATION CONTAINED IN THIS DRAWING IS THE SOLE PROPERTY OF CROWN INDUSTRIAL. ANY REPRODUCTION IN PART OR AS A WHOLE WITHOUT THE WRITTEN PERMISSION OF CROWN INDUSTRIAL IS PROHIBITED.

ID #:	0002704	STOCK PART #:	524P21DPS
MATERIAL:			

DESCRIPTION:
Dust Proof Strike

FINISH:	# PCS:	REV:
---------	--------	------



CROWN INDUSTRIAL

So. San Francisco, Ca
(650) 952-5150

www.crown-industrial.com

4

3

2

1

