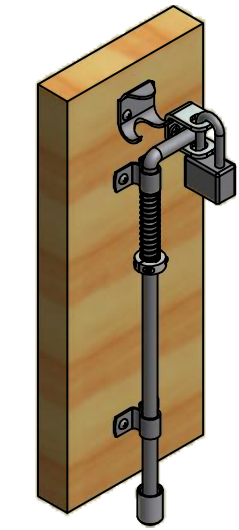
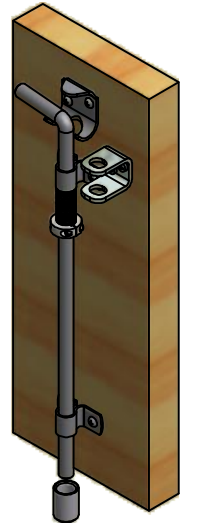
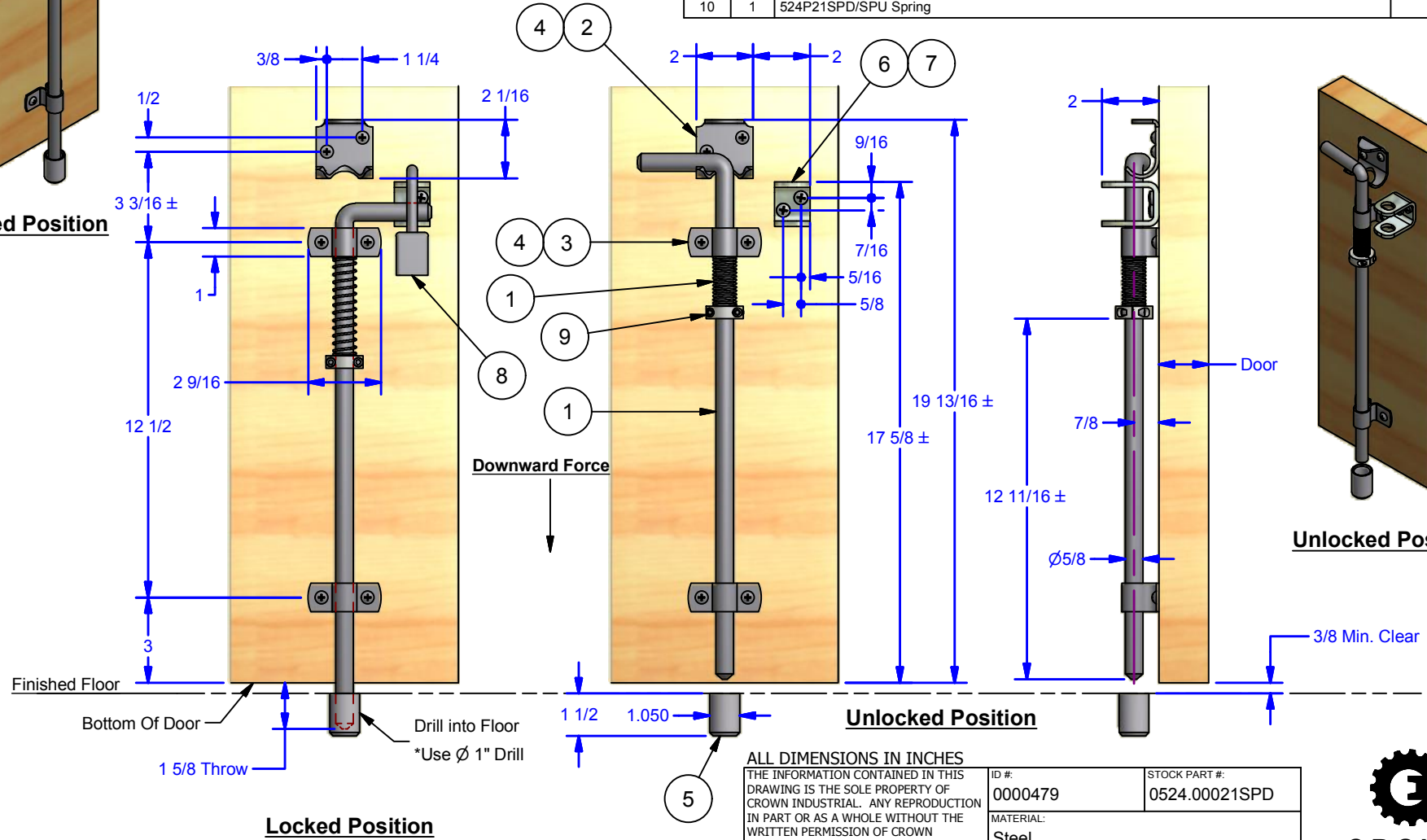


Parts List			
ITEM	QTY	DESCRIPTION	STOCK #
1	1	Cane	
2	1	524p21 Cane Retainer	
3	2	524P21 Guide Clip	
4	6	Round Head Phillips Wood Screw, Zinc	14-10 x 1-1/4
5	1	524P42 Floor Insert Sleeve for 524P21 Cane Bolt	0524.00042
6	1	Pad Lockable Assembly for 524 Cane Bolt	0524PL-Z
7	2	Pan Head Phillips Sheet Metal Screw	1/4-14 x 1 1/4
8	1	Padlock (By Others) Max. Shackle Dia: 1/2" Min. Vertical Clear: 1-3/4", Min. Horiz Clear: 1"	
9	1	(2pc) Clamping Collar	
10	1	524P21SPD/SPU Spring	



Locked Position



Unlocked Position

ALL DIMENSIONS IN INCHES

THE INFORMATION CONTAINED IN THIS DRAWING IS THE SOLE PROPERTY OF CROWN INDUSTRIAL. ANY REPRODUCTION IN PART OR AS A WHOLE WITHOUT THE WRITTEN PERMISSION OF CROWN INDUSTRIAL IS PROHIBITED.

DESCRIPTION:

Cane Bolt with Hold Down Spring Assy

FINISH:
Clear Zinc

ID #:
0000479

MATERIAL:
Steel

STOCK PART #:
0524.00021SPD

PCS: 1
REV: B



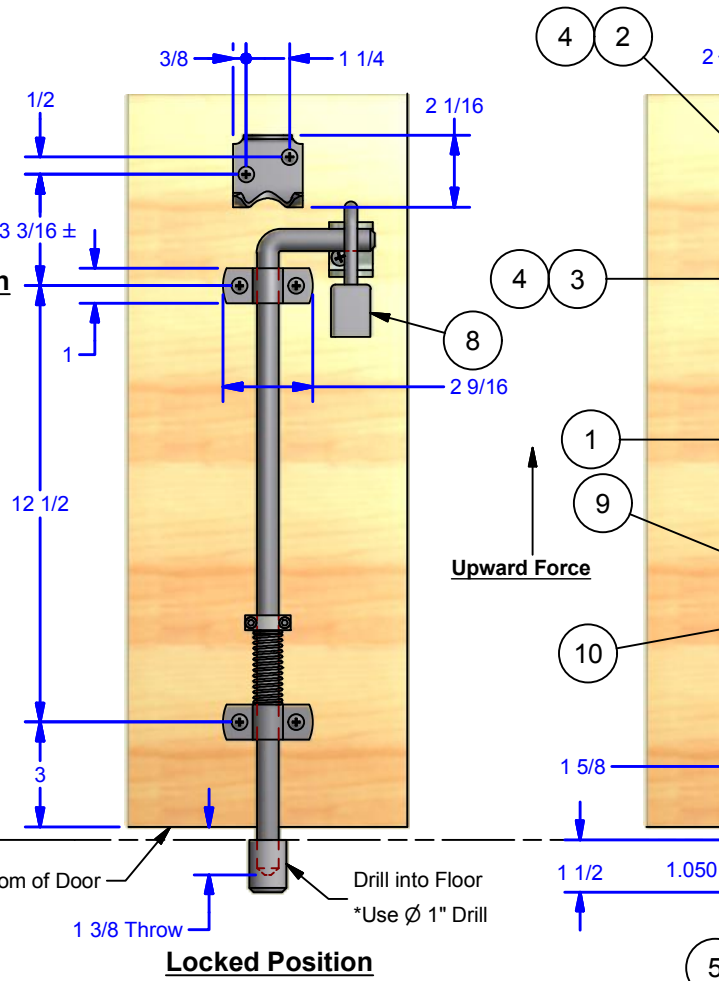
CROWN INDUSTRIAL

So. San Francisco, Ca
(650) 952-5150
www.crown-industrial.com

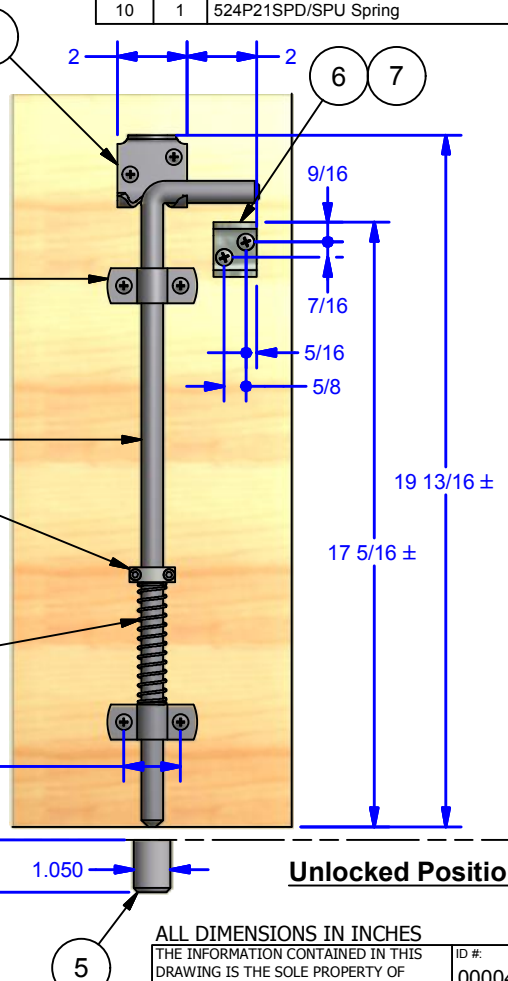
Parts List			
ITEM	QTY	DESCRIPTION	STOCK #
1	1	Cane	
2	1	524p21 Cane Retainer	
3	2	524P21 Guide Clip	
4	6	Round Head Phillips Wood Screw, Zinc	14-10 x 1-1/4
5	1	524P42 Floor Insert Sleeve for 524P21 Cane Bolt	0524.00042
6	1	Pad Lockable Assembly for 524 Cane Bolt	0524PL-Z
7	2	Pan Head Phillips Sheet Metal Screw	1/4-14 x 1 1/4
8	1	Padlock (By Others) Max. Shackle Dia: 1/2" Min. Vertical Clear: 1-3/4", Min. Horiz Clear: 1"	
9	1	(2pc) Clamping Collar	
10	1	524P21SPD/SPU Spring	



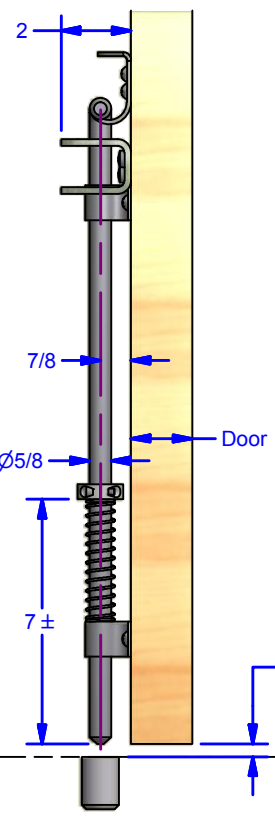
Locked Position



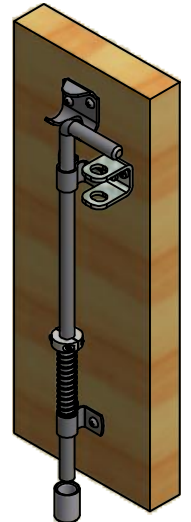
Locked Position



Unlocked Position



Unlocked Position



ALL DIMENSIONS IN INCHES

THE INFORMATION CONTAINED IN THIS DRAWING IS THE SOLE PROPERTY OF CROWN INDUSTRIAL. ANY REPRODUCTION IN PART OR AS A WHOLE WITHOUT THE WRITTEN PERMISSION OF CROWN INDUSTRIAL IS PROHIBITED.

DESCRIPTION:
Cane Bolt with Hold Up Spring Assy

FINISH:
Clear Zinc

ID #:
0000480

MATERIAL:
Steel

STOCK PART #:
0524.00021SPU

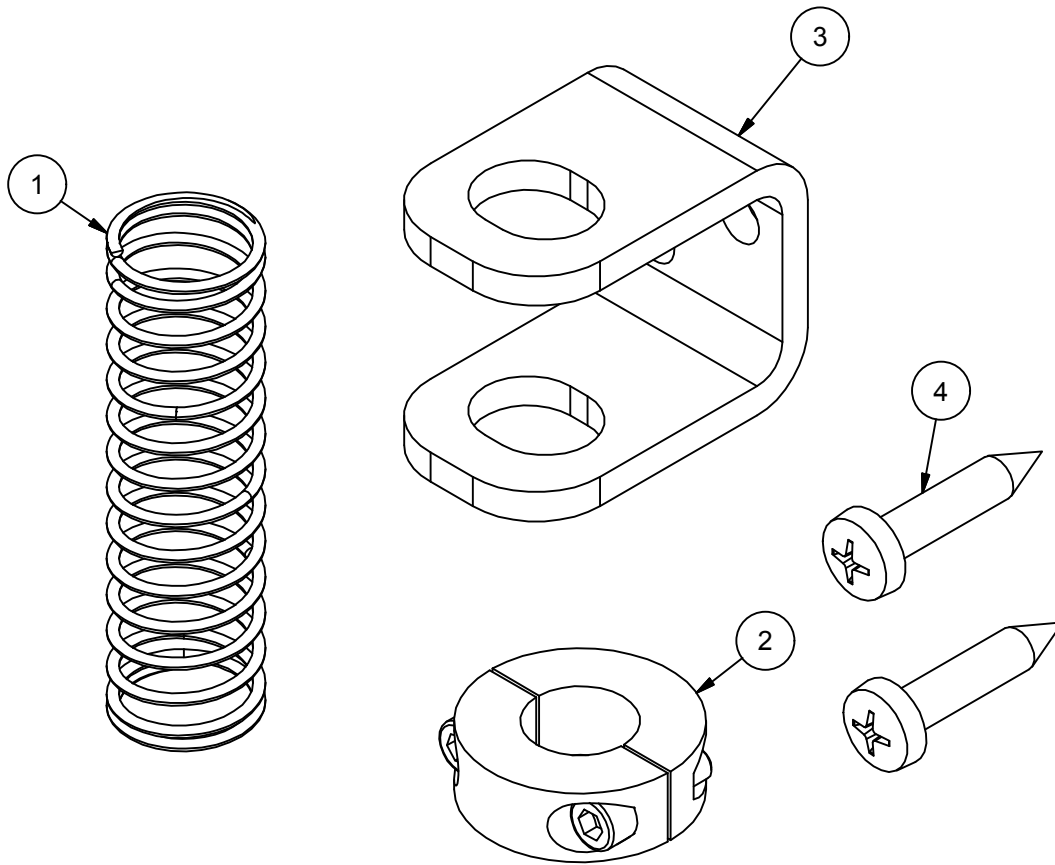
PCS: 1
REV: B

DWG #: 524P21
DRAWN: BCM 7/31/2015
SHEET #3
File: 0000478.idw

*Alternative Finish: #0524.00021SPU-BZ black zinc

CROWN INDUSTRIAL
So. San Francisco, Ca
(650) 952-5150
www.crown-industrial.com

Parts List			
ITEM	QTY	DESCRIPTION	STOCK #
1	1	524P21SPD/SPU Spring	
2	1	(2pc) Clamping Collar, 5/8" I.D.	
3	1	Pad Lockable Assembly for 524 Cane Bolt	0524PL-Z
4	2	Pan Head Phillips Sheet Metal Screw	1/4-14 x 1 1/4



ALL DIMENSIONS IN INCHES

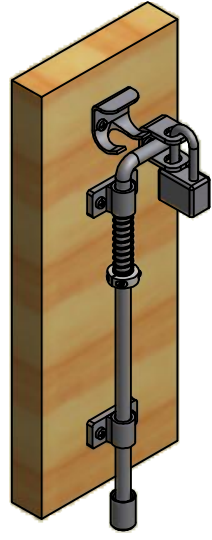
THE INFORMATION CONTAINED IN THIS DRAWING IS THE SOLE PROPERTY OF CROWN INDUSTRIAL. ANY REPRODUCTION IN PART OR AS A WHOLE WITHOUT THE WRITTEN PERMISSION OF CROWN INDUSTRIAL IS PROHIBITED.	ID #:	0001808	STOCK PART #:	524P21SP
	MATERIAL:			
DESCRIPTION: 524 P21 Hold Up/Down Spring Kit				
FINISH:		# PCS:	1	REV:



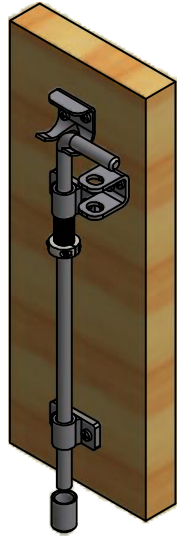
CROWN INDUSTRIAL
So. San Francisco, Ca
(650) 952-5150
www.crown-industrial.com

DWG #: 524P21
DRAWN:BCM 1/9/2015
SHEET #4
File: 0000478.idw

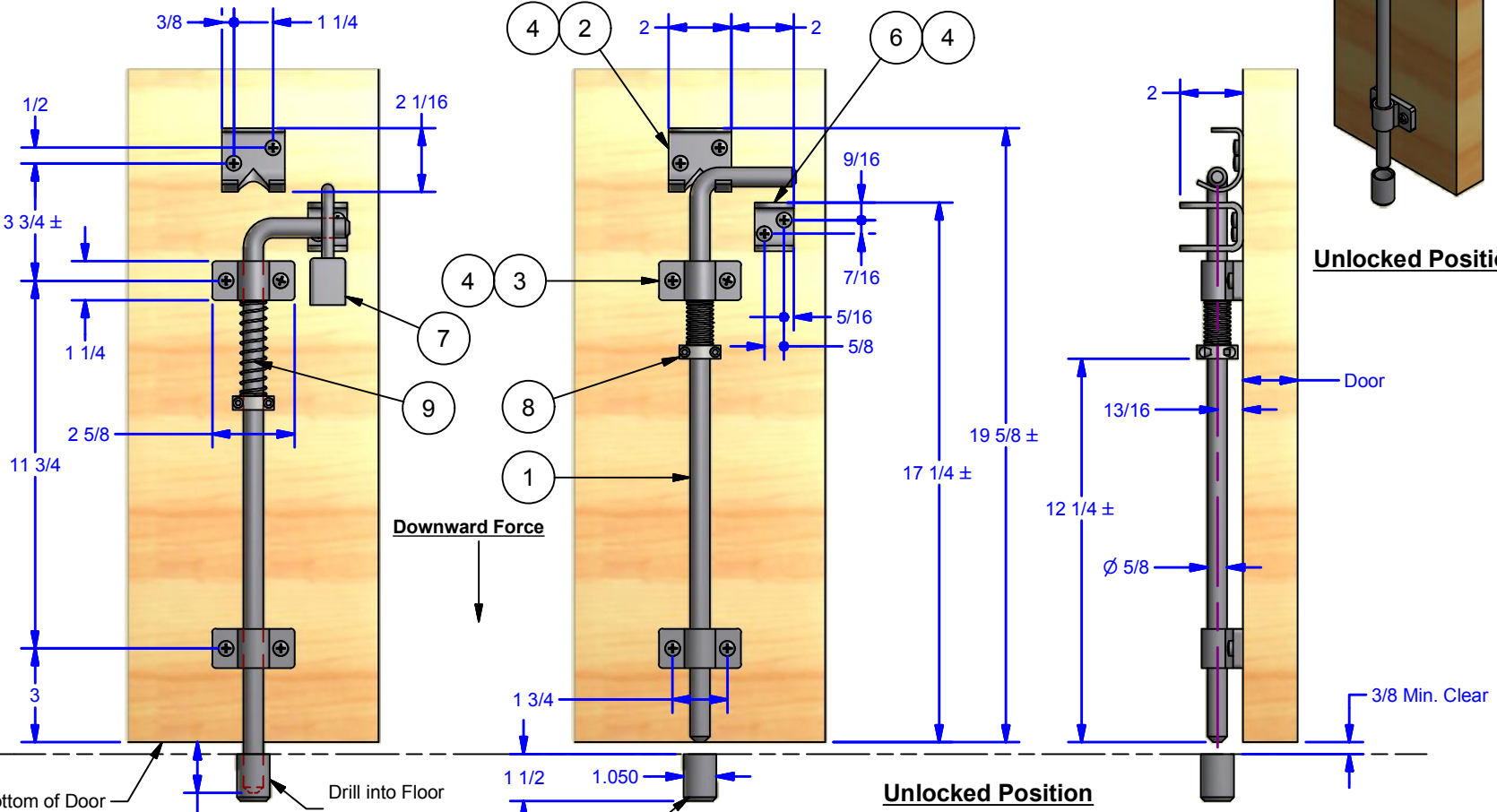
Parts List			
ITEM	QTY	DESCRIPTION	STOCK #
1	1	Cane, S.S.	
2	1	Cane Retainer, S.S.	
3	2	Guide Clip Weldment, S.S.	
4	8	Pan Head Phillips Sheet Metal Screw	1/4-14 x 1 1/4
5	1	Keeper for 0524.00021 Cane Bolt-SS #2B	0524.00042-S
6	1	Pad Lockable Assembly for 524 S.S. Cane Bolt	0524PL-S
7	1	Padlock (By Others) Max. Shackle Dia: 1/2" Min. Vertical Clear: 1-3/4", Min. Horiz Clear: 1"	
8	1	(2pc) Clamping Collar, 5/8" I.D S.S.	
9	1	524P21SPD/SPU-S Spring, S.S.	



Locked Position



Unlocked Position

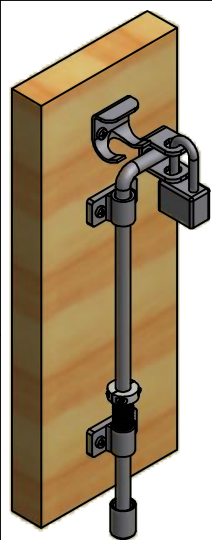


ALL DIMENSIONS IN INCHES		
THE INFORMATION CONTAINED IN THIS DRAWING IS THE SOLE PROPERTY OF CROWN INDUSTRIAL. ANY REPRODUCTION IN PART OR AS A WHOLE WITHOUT THE WRITTEN PERMISSION OF CROWN INDUSTRIAL IS PROHIBITED.	ID #: 0001947	STOCK PART #: 524P21SPD-S
DESCRIPTION: Cane Bolt with Hold Down Spring Assembly, Stainless Steel	MATERIAL: 304 Stainless Steel	
FINISH: Brushed	# PCS: 1	REV: A

CROWN INDUSTRIAL
So. San Francisco, Ca
(650) 952-5150
www.crown-industrial.com

DWG #: 524P21
DRAWN:BCM 7/31/2015
SHEET #6
File: 0000478.idw

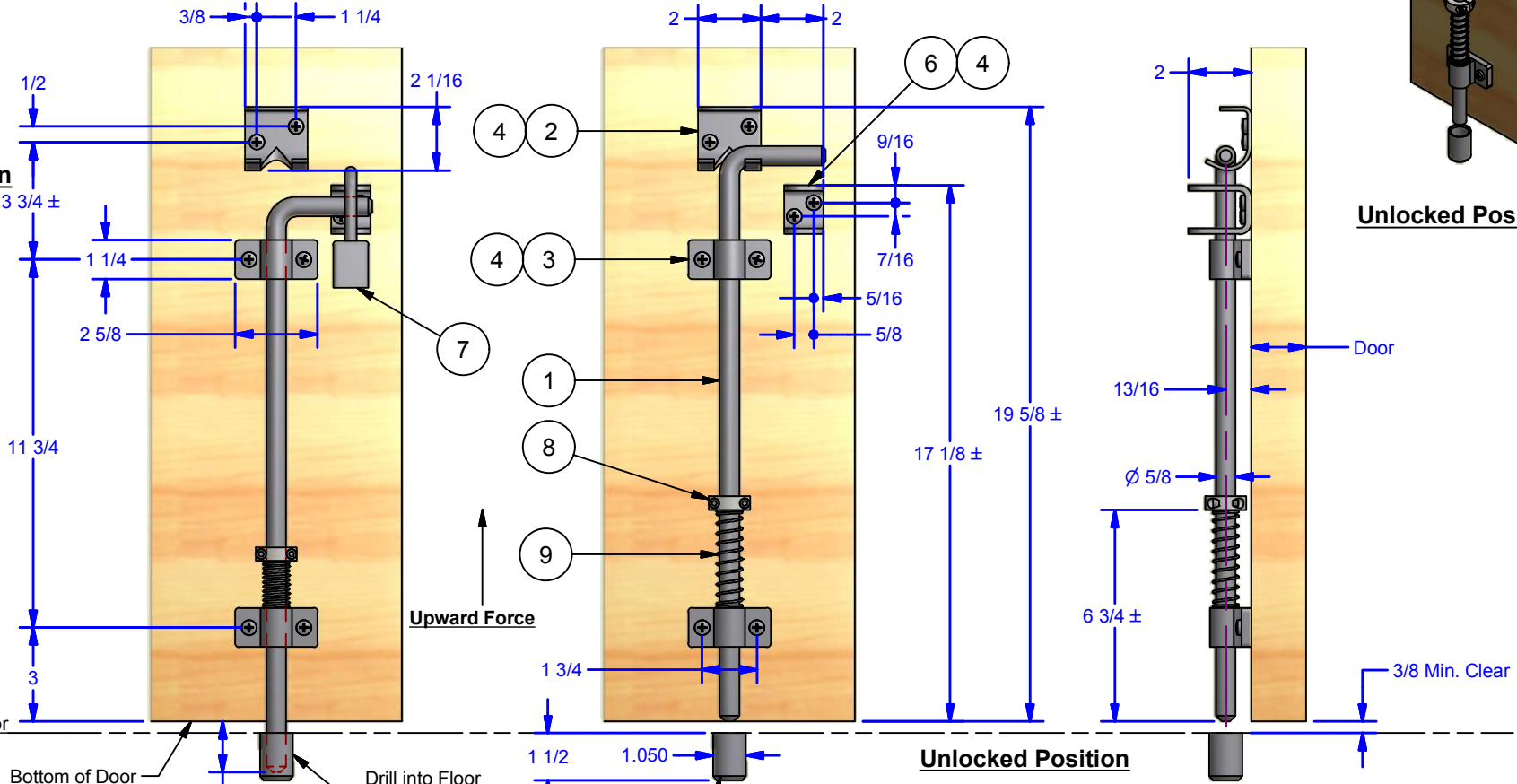
Parts List			
ITEM	QTY	DESCRIPTION	STOCK #
1	1	Cane, S.S.	
2	1	Cane Retainer, S.S.	
3	2	Guide Clip Weldment, S.S.	
4	8	Pan Head Phillips Sheet Metal Screw	1/4-14 x 1 1/4
5	1	Keeper for 0524.00021 Cane Bolt-SS #2B	0524.00042-S
6	1	Pad Lockable Assembly for 524 S.S. Cane Bolt	0524PL-S
7	1	Padlock (By Others) Max. Shackle Dia: 1/2" Min. Vertical Clear: 1-3/4", Min. Horiz Clear: 1"	
8	1	(2pc) Clamping Collar, 5/8" I.D.S.S.	
9	1	524P21SPD/SPU-S Spring, S.S.	



Locked Position



Unlocked Position



ALL DIMENSIONS IN INCHES		ID #:	0001948	STOCK PART #:	524P21SPU-S
THE INFORMATION CONTAINED IN THIS DRAWING IS THE SOLE PROPERTY OF CROWN INDUSTRIAL. ANY REPRODUCTION IN PART OR AS A WHOLE WITHOUT THE WRITTEN PERMISSION OF CROWN INDUSTRIAL IS PROHIBITED.					
MATERIAL: 304 Stainless Steel					
DESCRIPTION: Cane Bolt with Hold Up Spring Assembly, Stainless Steel					
FINISH: Brushed				# PCS:	1
				REV:	A

CROWN INDUSTRIAL
So. San Francisco, Ca
(650) 952-5150
www.crown-industrial.com

DWG #: 524P21
DRAWN:BCM 7/31/2015
SHEET #7
File: 000478.idw