

4

3

2

1

D

D

C

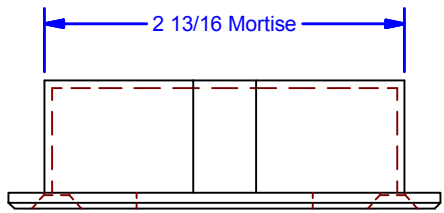
C

B

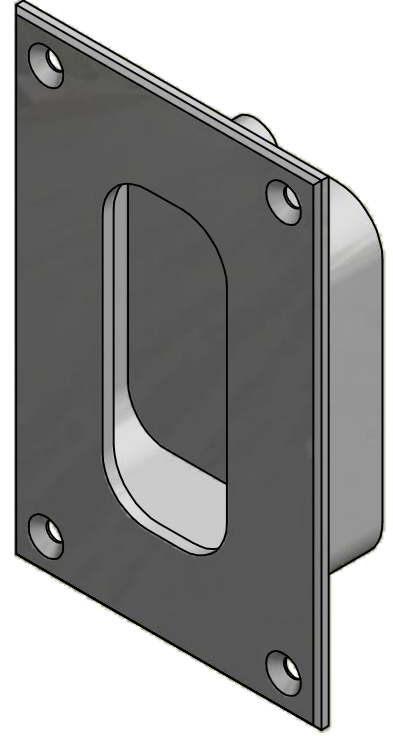
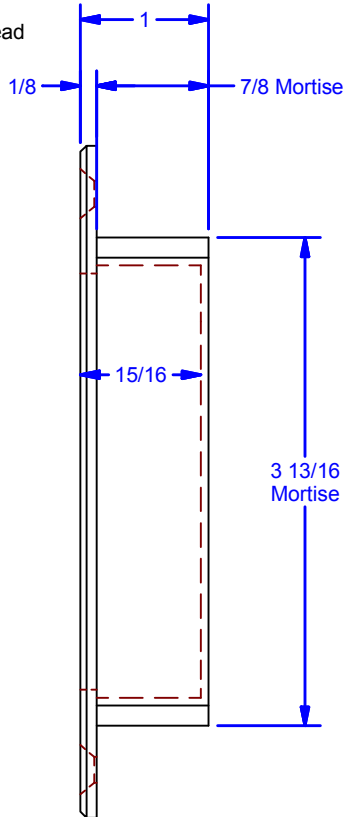
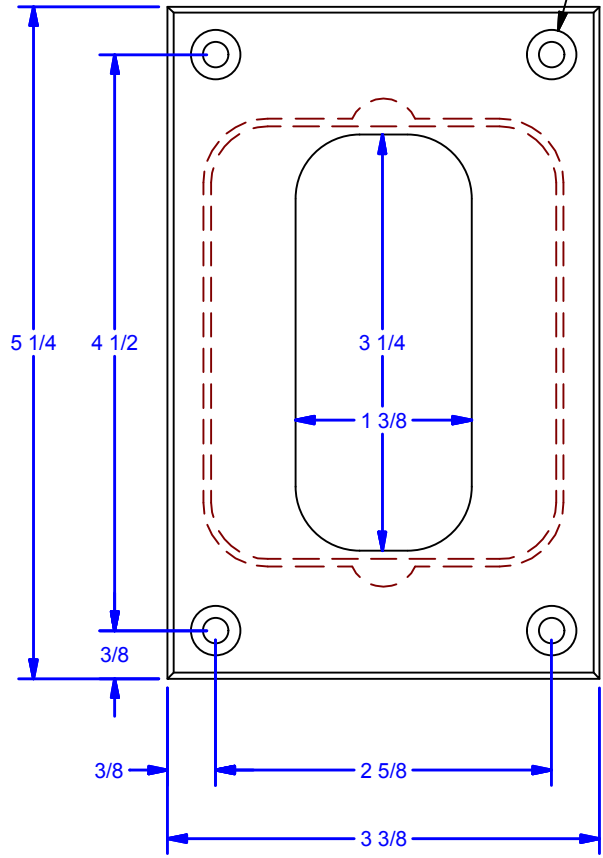
B

A

A



4X Countersunk Holes
For #10 Flat Head Fasteners
(4 ea. #10x1-1/4" Flat Slotted Head
Sheet Metal Screw Included)



Available Finishes:
0535.00489: Black Powder Coat
0535.00615: Brushed Aluminum

DWG #: 0001692
DRAWN:BCM 7/3/2014
SHEET #1
File: 0001692.idw

ALL DIMENSIONS IN INCHES

THE INFORMATION CONTAINED IN THIS DRAWING IS THE SOLE PROPERTY OF CROWN INDUSTRIAL. ANY REPRODUCTION IN PART OR AS A WHOLE WITHOUT THE WRITTEN PERMISSION OF CROWN INDUSTRIAL IS PROHIBITED.	ID #:	0001692	STOCK PART #:	0535.00489
	MATERIAL:	Aluminum		
DESCRIPTION: 535 Flush Pull				
FINISH:		# PCS:		REV:



CROWN INDUSTRIAL
So. San Francisco, Ca
(650) 952-5150
www.crown-industrial.com

4

3

2

1

