

4

3

2

1

D

D

C

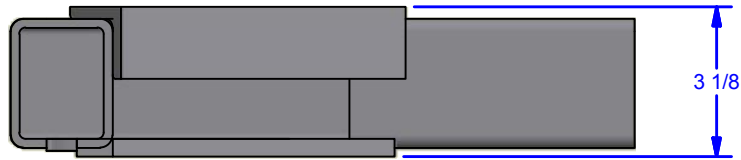
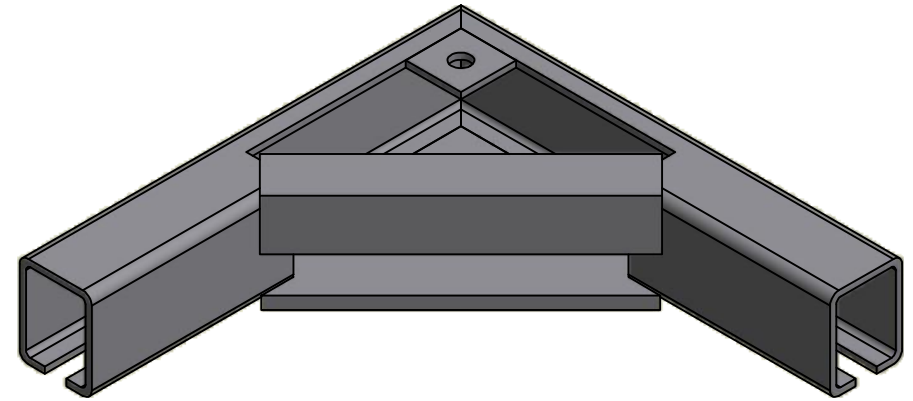
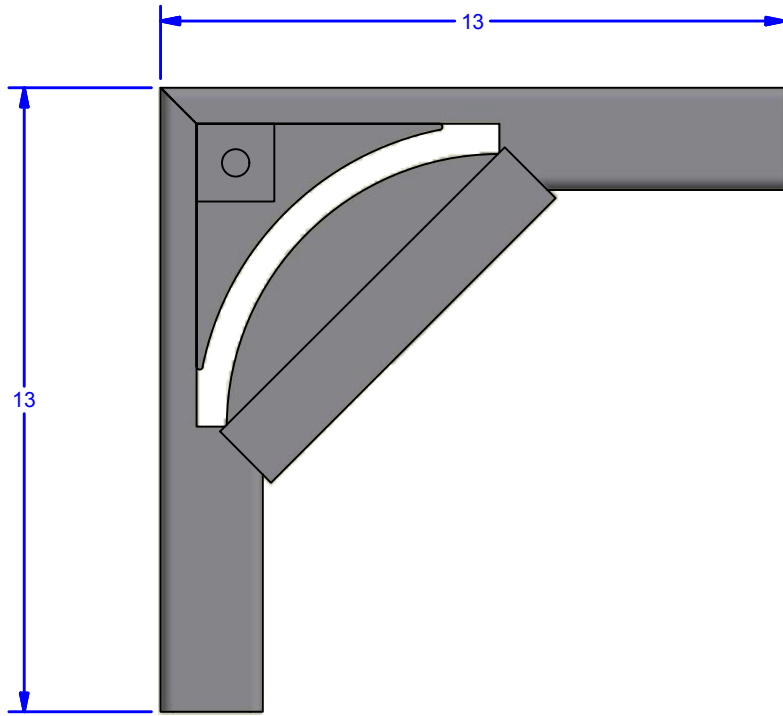
C

B

B

A

A



ALL DIMENSIONS IN INCHES

THE INFORMATION CONTAINED IN THIS DRAWING IS THE SOLE PROPERTY OF CROWN INDUSTRIAL. ANY REPRODUCTION IN PART OR AS A WHOLE WITHOUT THE WRITTEN PERMISSION OF CROWN INDUSTRIAL IS PROHIBITED.	ID #:	0000780	STOCK PART #:	5442C
	MATERIAL:	Welded Steel Mild		
DESCRIPTION: 90 Deg. 6"R Curve Assy				
FINISH:	PTD	# PCS:	1	REV:



CROWN INDUSTRIAL

So. San Francisco, Ca
(650) 952-5150

www.crown-industrial.com

DWG #: 5442C
DRAWN:BCM 3/30/2010
SHEET #1
File: 0000780.idw

4

3

2

1