

4

3

2

1

D

D

C

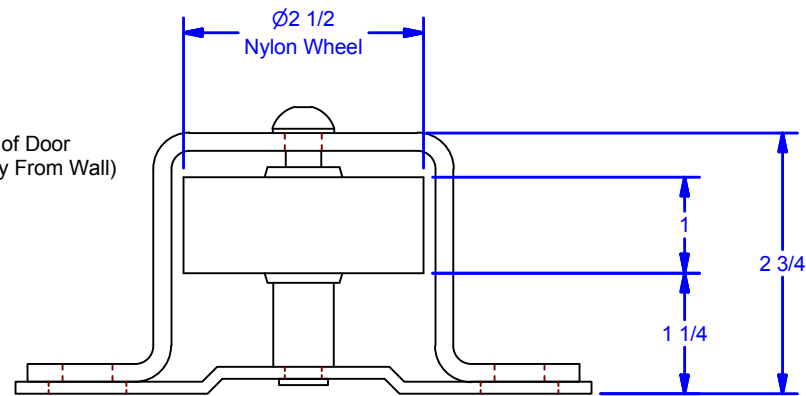
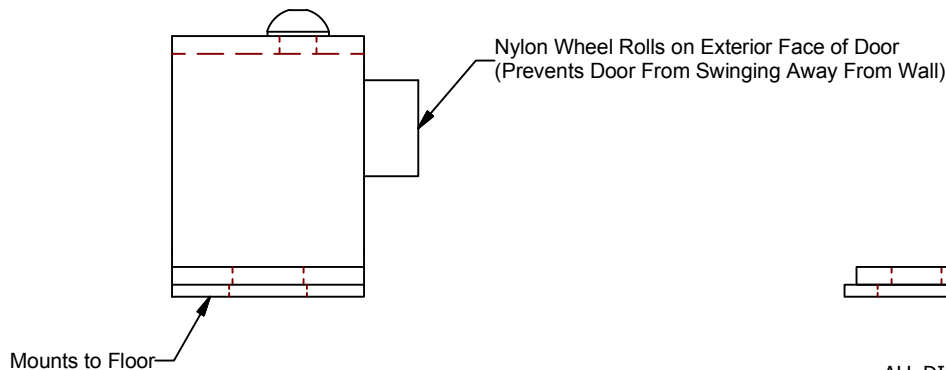
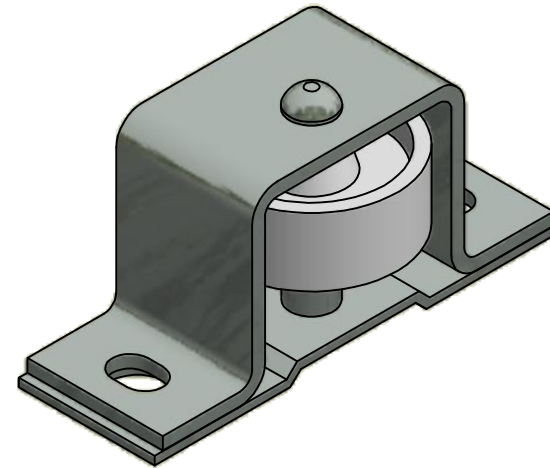
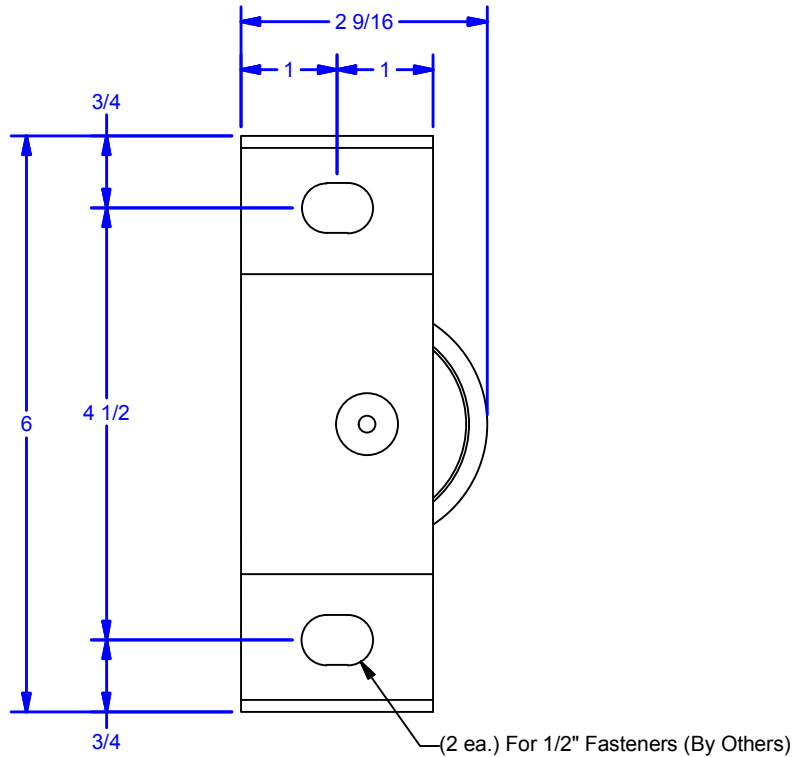
C

B

B

A

A



Available Finishes:
 0054.00003: Clear Zinc Plated
 0054.00003SC: Powder Coat Black

ALL DIMENSIONS IN INCHES

| | | |
|--|--------------------|------------------------|
| THE INFORMATION CONTAINED IN THIS DRAWING IS THE SOLE PROPERTY OF CROWN INDUSTRIAL. ANY REPRODUCTION IN PART OR AS A WHOLE WITHOUT THE WRITTEN PERMISSION OF CROWN INDUSTRIAL IS PROHIBITED. | PART #: 0000512 | STOCK #: 0054.00003 |
| | MATERIAL: Steel | |
| DESCRIPTION: 54P3 Stay Roller (Nylon Wheel) | | |
| FINISH: | # PCS: | REV: |



CROWN INDUSTRIAL
 So. San Francisco, Ca
 (650) 952-5150
www.crown-industrial.com

DWG #: 54P3
 DRAWN: BCM 4/9/2009
 SHEET #1
 File: 0000512.idw

4

3

2

1

A