

4

3

2

1

D

D

C

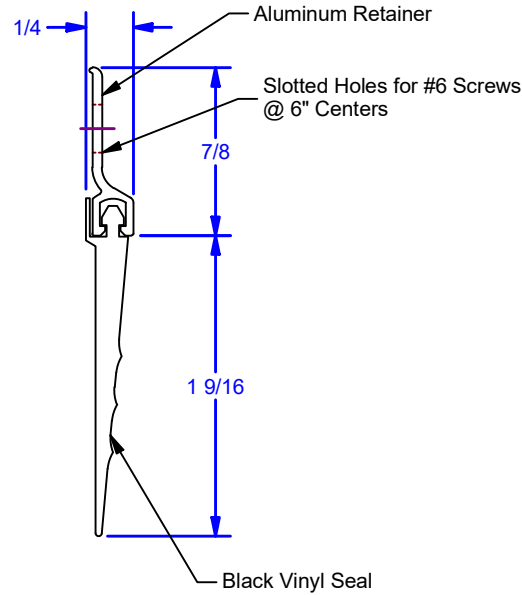
C

B

B

A

A



*Includes #6 x 5/8" Pan Head Phillips Sheet Metal Screws

Finish:

- **56AV:** Mill Finish Aluminum Retainer
- **56DV:** Dark Bronze Anodized Aluminum Retainer

ALL DIMENSIONS IN INCHES

THE INFORMATION CONTAINED IN THIS DRAWING IS THE SOLE PROPERTY OF CROWN INDUSTRIAL. ANY REPRODUCTION IN PART OR AS A WHOLE WITHOUT THE WRITTEN PERMISSION OF CROWN INDUSTRIAL IS PROHIBITED.	ID #:	0002964	STOCK PART #:	56V
	MATERIAL:	Aluminum 6061		
DESCRIPTION: Door Bottom Sweep, Single				
FINISH:	# PCS:	REV:		



CROWN INDUSTRIAL

So. San Francisco, Ca
(650) 952-5150

www.crown-industrial.com

DWG #: 0002368
DRAWN:BCM 11/4/2019
SHEET #25

File: 0002368.idw

4

3

2

1