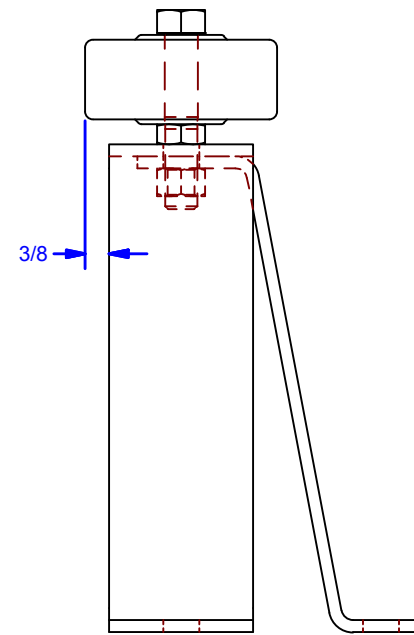
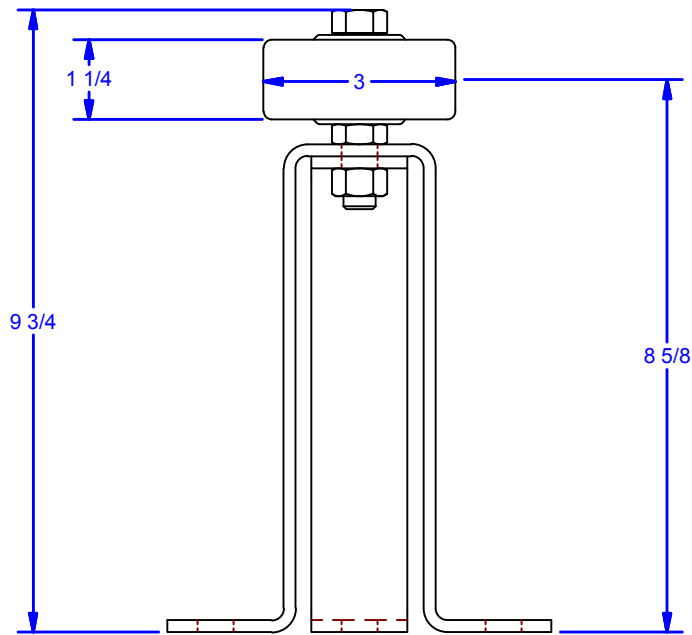
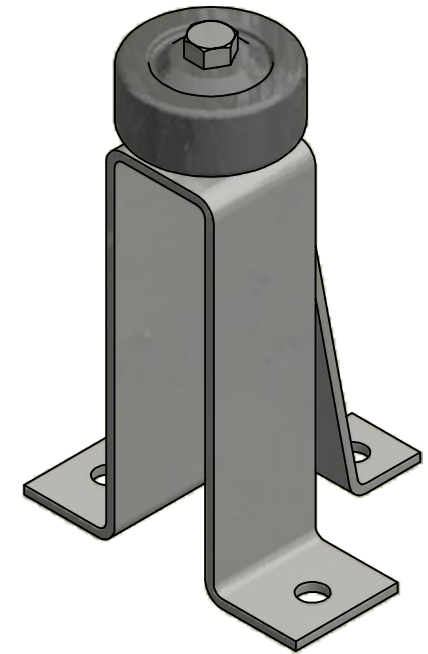
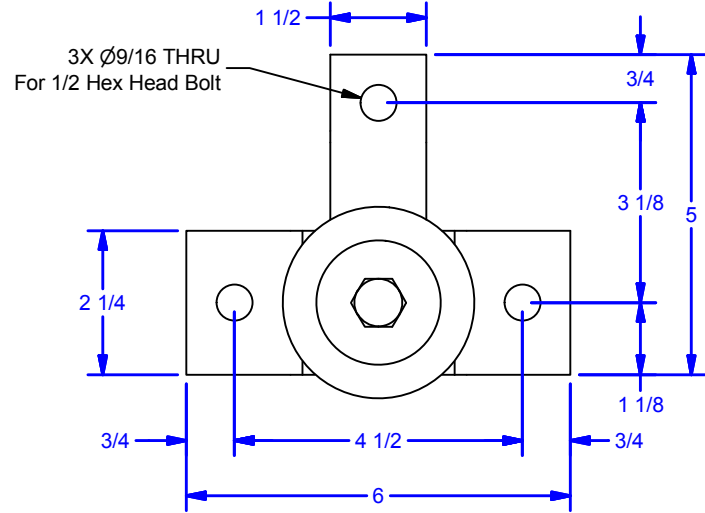


4

3

2

1



ALL DIMENSIONS IN INCHES

| | | | | |
|--|-----------|---------|---------------|------------|
| THE INFORMATION CONTAINED IN THIS DRAWING IS THE SOLE PROPERTY OF CROWN INDUSTRIAL. ANY REPRODUCTION IN PART OR AS A WHOLE WITHOUT THE WRITTEN PERMISSION OF CROWN INDUSTRIAL IS PROHIBITED. | ID #: | 0001804 | STOCK PART #: | 0059.00007 |
| | MATERIAL: | | | |
| DESCRIPTION: 59P7 Stay Roller, Floor mount Bk Wheel-Ptd. | | | | |
| FINISH: Powder Coat Pebble Tan | | | # PCS: | REV: |



CROWN INDUSTRIAL

So. San Francisco, Ca
(650) 952-5150

www.crown-industrial.com

DWG #: 0001807
DRAWN:BCM 1/8/2015
SHEET #1

File: 0001807.idw

4

3

2

1

