

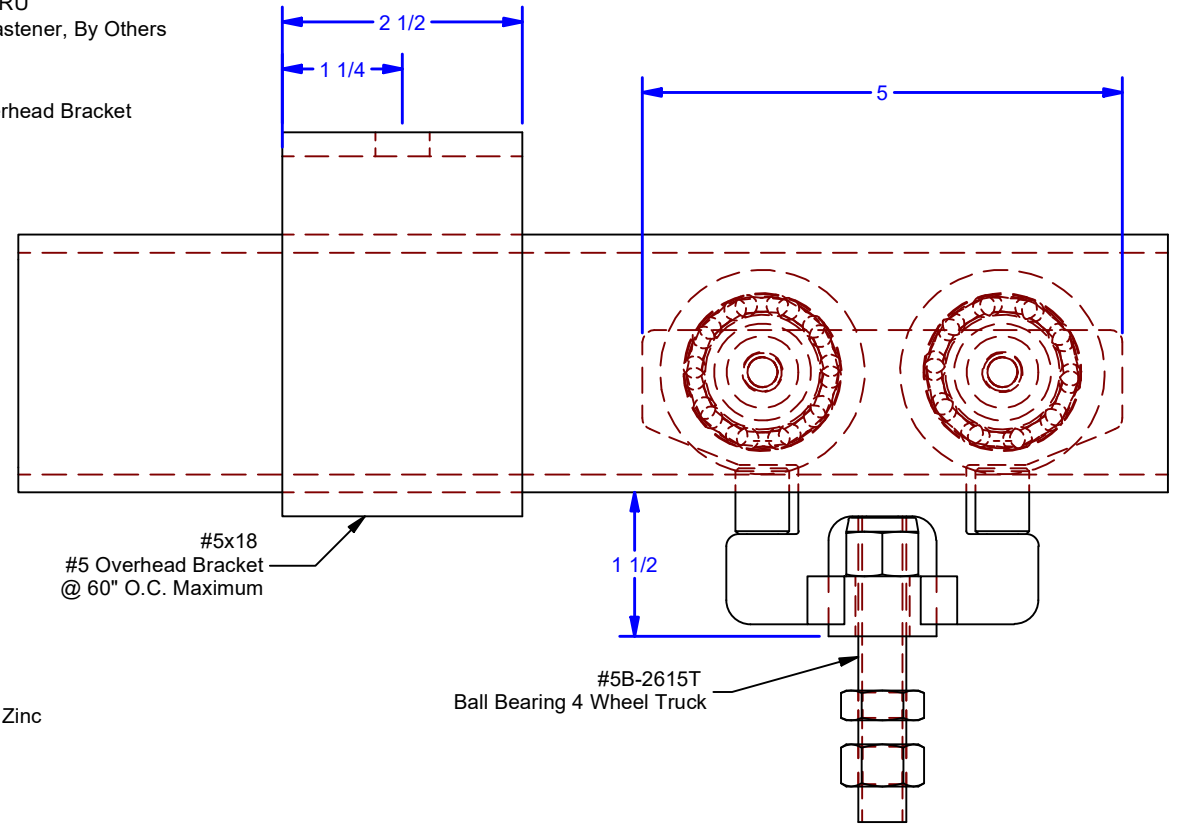
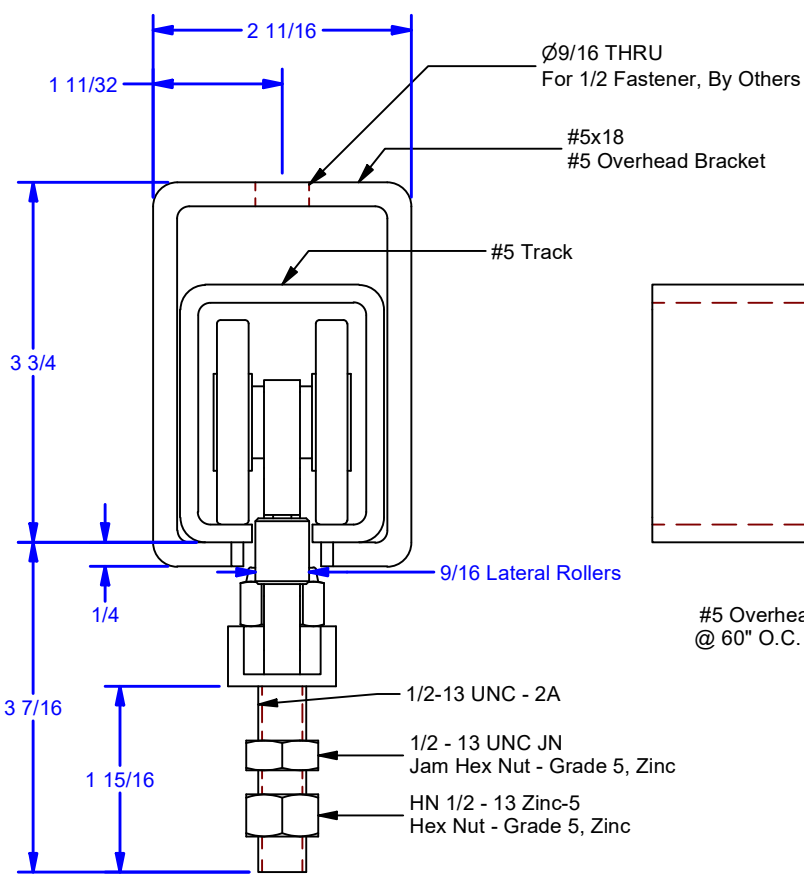
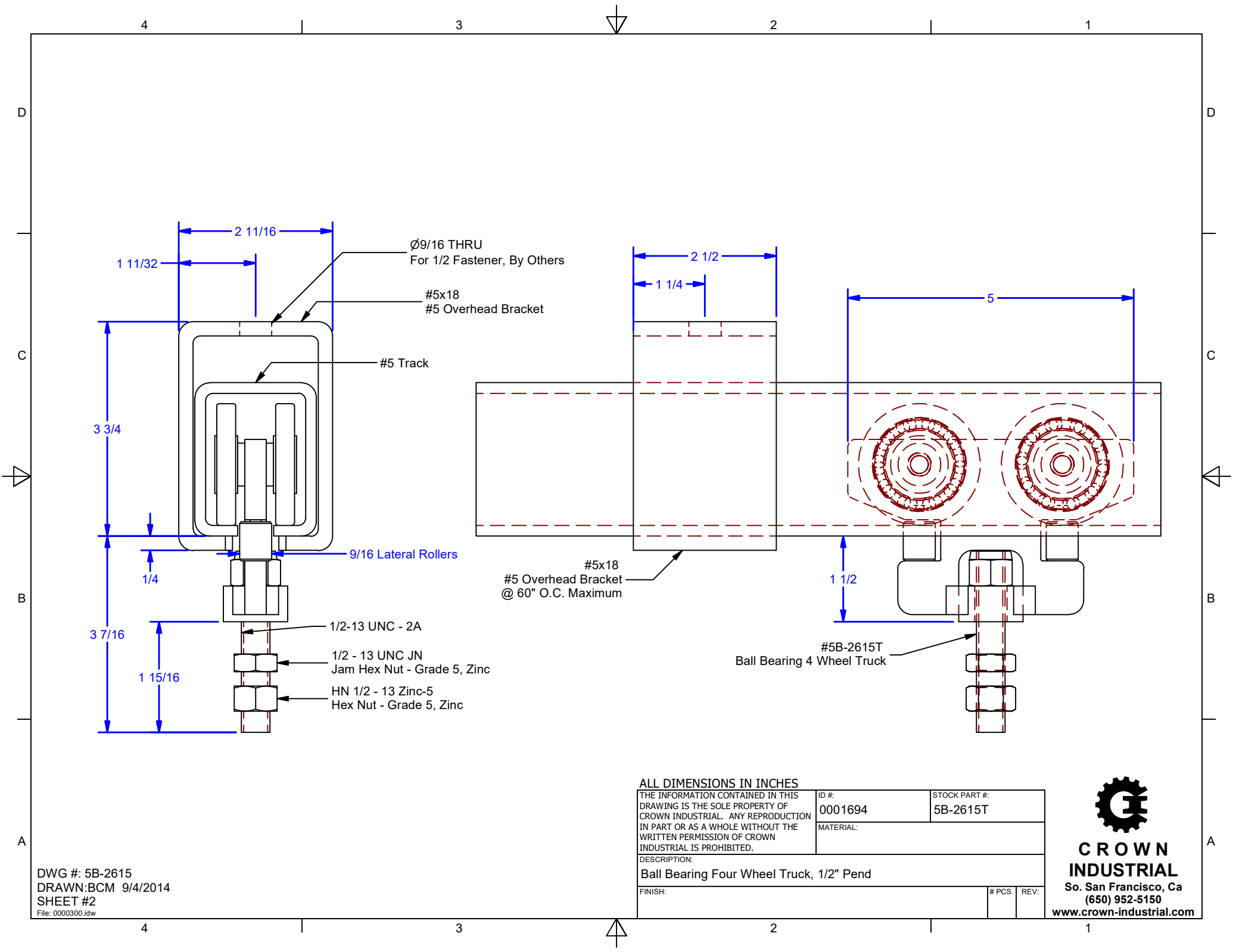
ALL DIMENSIONS IN INCHES

THE INFORMATION CONTAINED IN THIS DRAWING IS THE SOLE PROPERTY OF CROWN INDUSTRIAL. ANY REPRODUCTION IN PART OR AS A WHOLE WITHOUT THE WRITTEN PERMISSION OF CROWN INDUSTRIAL IS PROHIBITED.	ID #:	STOCK PART #:
	0000300	5B-2615T
DESCRIPTION:	MATERIAL:	
Ball Bearing Four Wheel Truck, 1/2" Pend	Welded Steel Mild	
FINISH:	# PCS:	REV:



CROWN INDUSTRIAL
 So. San Francisco, Ca
 (650) 952-5150
www.crown-industrial.com

DWG #: 5B-2615
 DRAWN: BCM 11/21/2008
 SHEET #1
 File: 0000300.idw



ALL DIMENSIONS IN INCHES

THE INFORMATION CONTAINED IN THIS DRAWING IS THE SOLE PROPERTY OF CROWN INDUSTRIAL. ANY REPRODUCTION IN PART OR AS A WHOLE WITHOUT THE WRITTEN PERMISSION OF CROWN INDUSTRIAL IS PROHIBITED.	ID #:	STOCK PART #:
	0001694	5B-2615T
DESCRIPTION:		MATERIAL:
Ball Bearing Four Wheel Truck, 1/2" Pend		
FINISH:	# PCS:	REV:

DWG #: 5B-2615
 DRAWN:BCM 9/4/2014
 SHEET #2
 File: 0000300.idw



CROWN INDUSTRIAL
 So. San Francisco, Ca
 (650) 952-5150
www.crown-industrial.com