

4

3



2

1

D

D

C

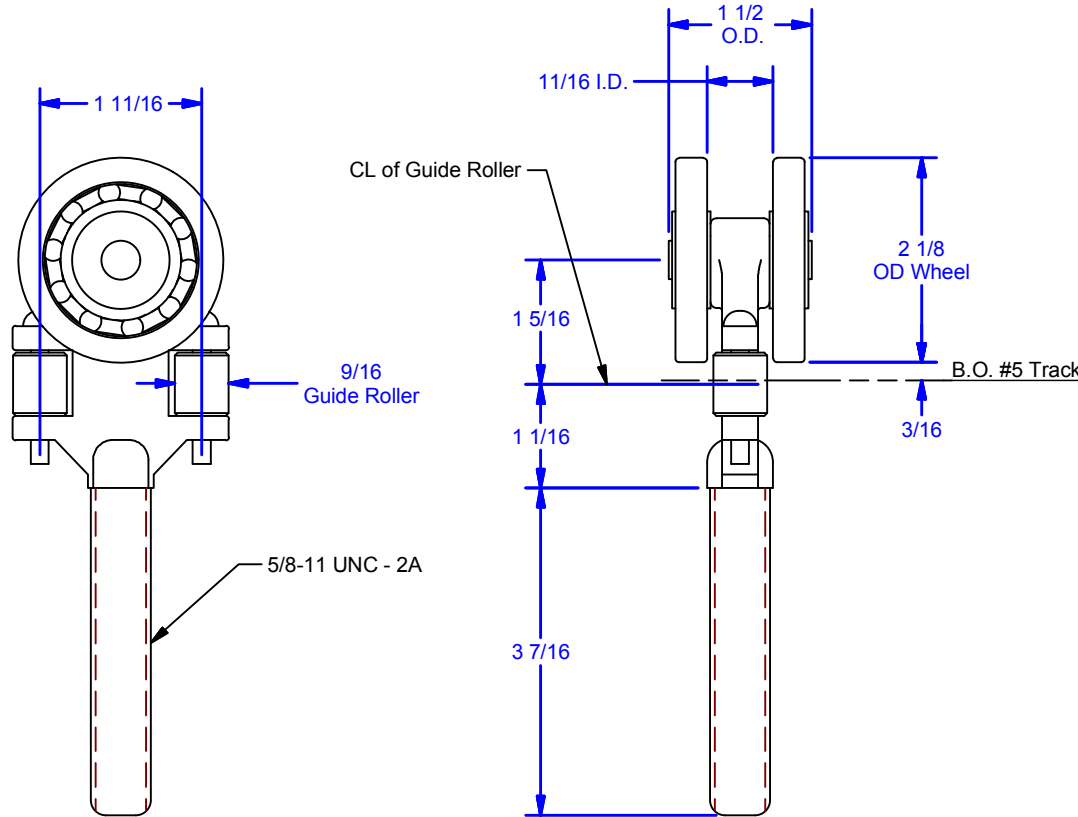
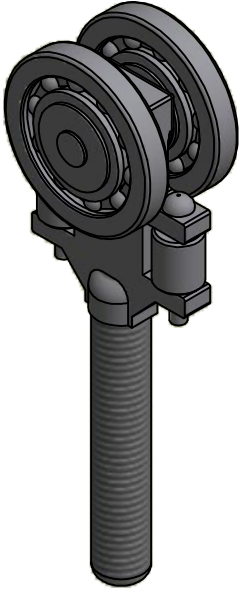
C

B

B

A

A



DWG #: 0000681  
 DRAWN:BCM 2/14/2008  
 SHEET #1  
 File: 0000681.idw

**ALL DIMENSIONS IN INCHES**

THE INFORMATION CONTAINED IN THIS DRAWING IS THE SOLE PROPERTY OF CROWN INDUSTRIAL. ANY REPRODUCTION IN PART OR AS A WHOLE WITHOUT THE WRITTEN PERMISSION OF CROWN INDUSTRIAL IS PROHIBITED.	ID #:	0000681	STOCK PART #:	5B
	MATERIAL:			
DESCRIPTION: #5 Two Wheel Trolley w/ Std. Pendant				
FINISH: Clear Zinc			# PCS:	1
			REV:	



**CROWN INDUSTRIAL**  
 So. San Francisco, Ca  
 (650) 952-5150  
 www.crown-industrial.com

4

3



2

1