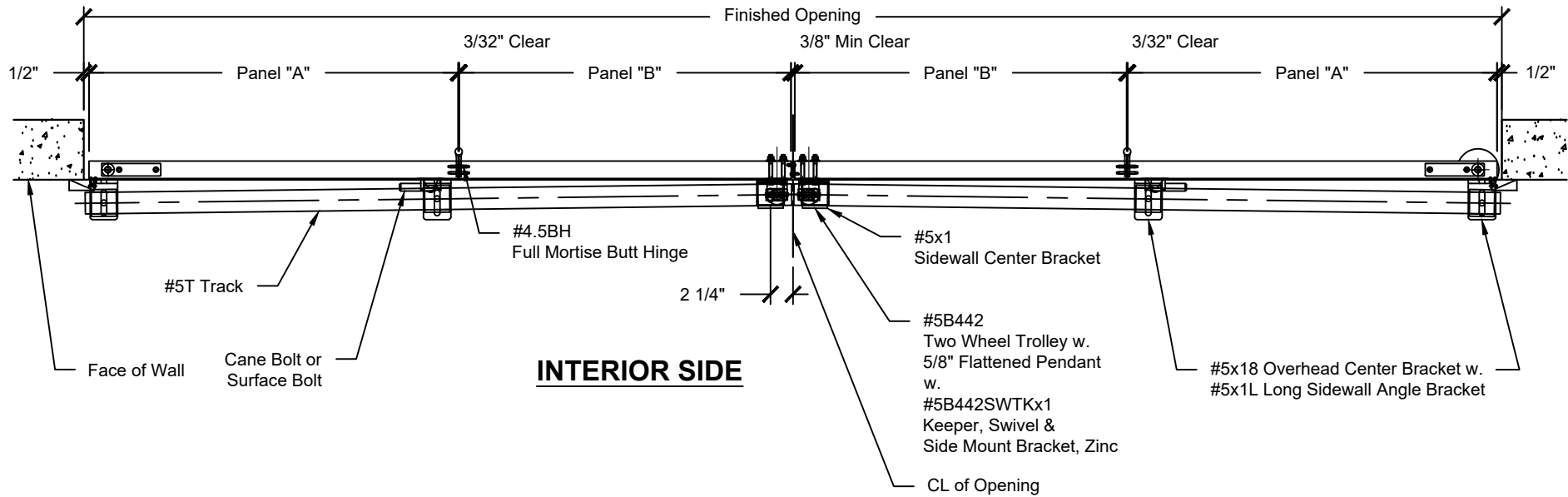
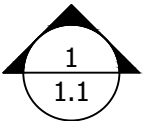
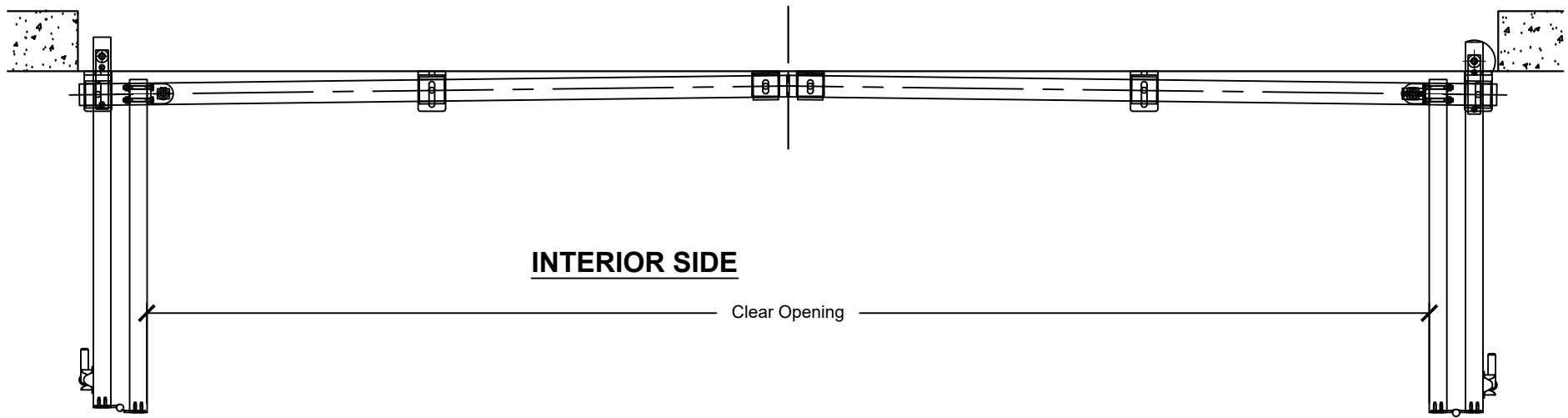


1

# Interior Elevation View: Door Folds Towards



2 Plan View: Doors In Closed Position



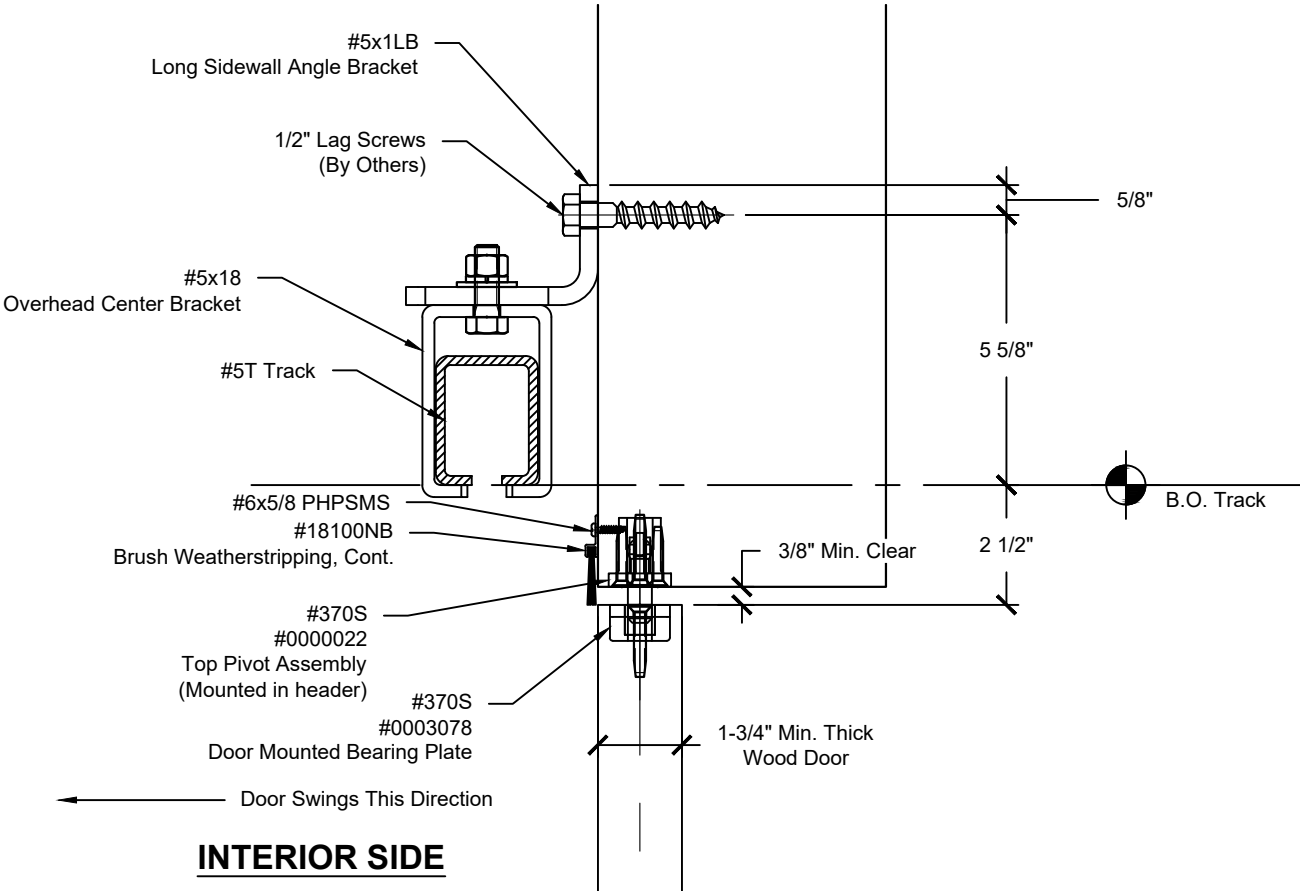
3 Plan View: Doors In Open Position



**CROWN INDUSTRIAL**  
So. San Francisco, Ca  
(650) 952-5150  
www.crown-industrial.com

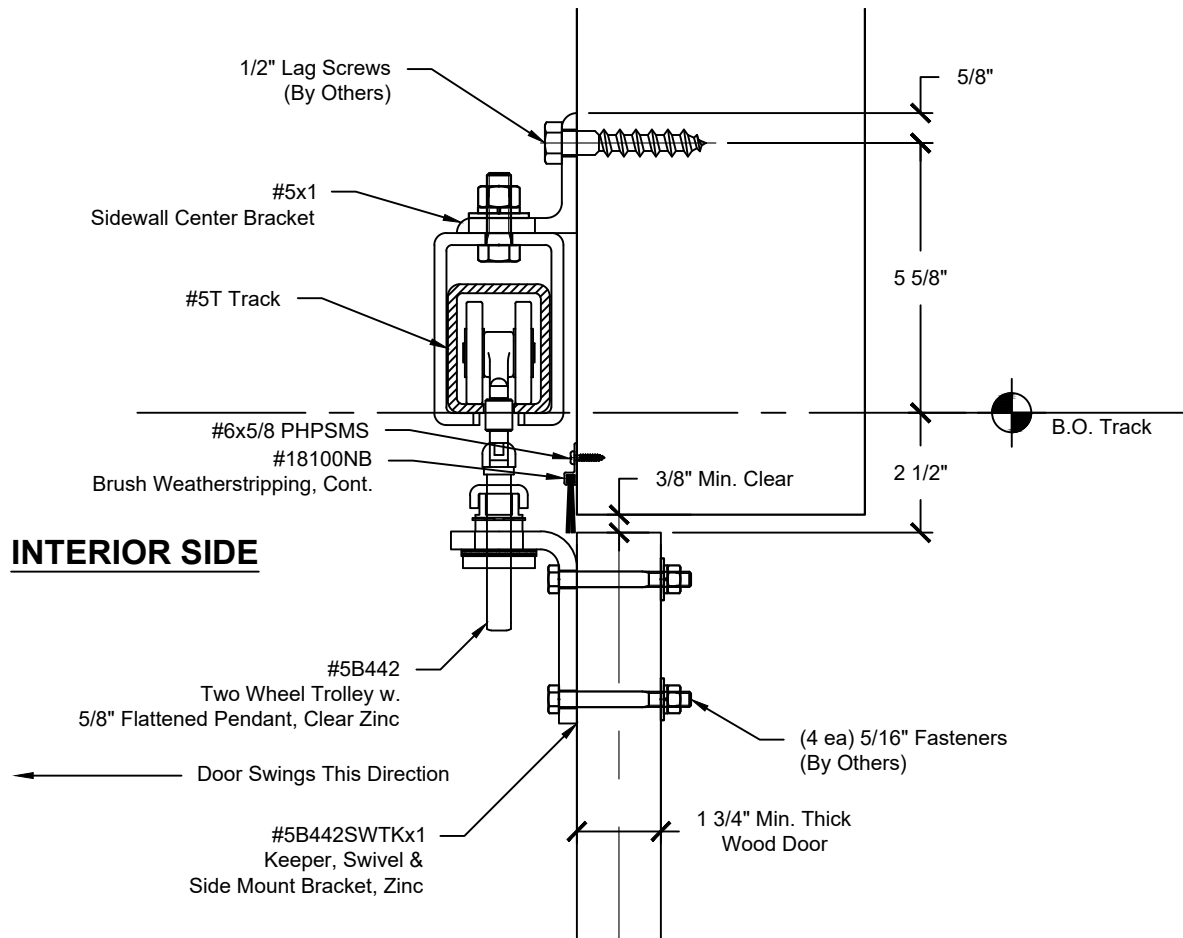
THE INFORMATION CONTAINED IN THIS DRAWING IS THE SOLE PROPERTY OF CROWN INDUSTRIAL. ANY REPRODUCTION IN PART OR AS A WHOLE WITHOUT WRITTEN PERMISSION OF CROWN INDUSTRIAL IS PROHIBITED.

REVISIONS			
REV.	DESCRIPTION	DATE	APPROVED



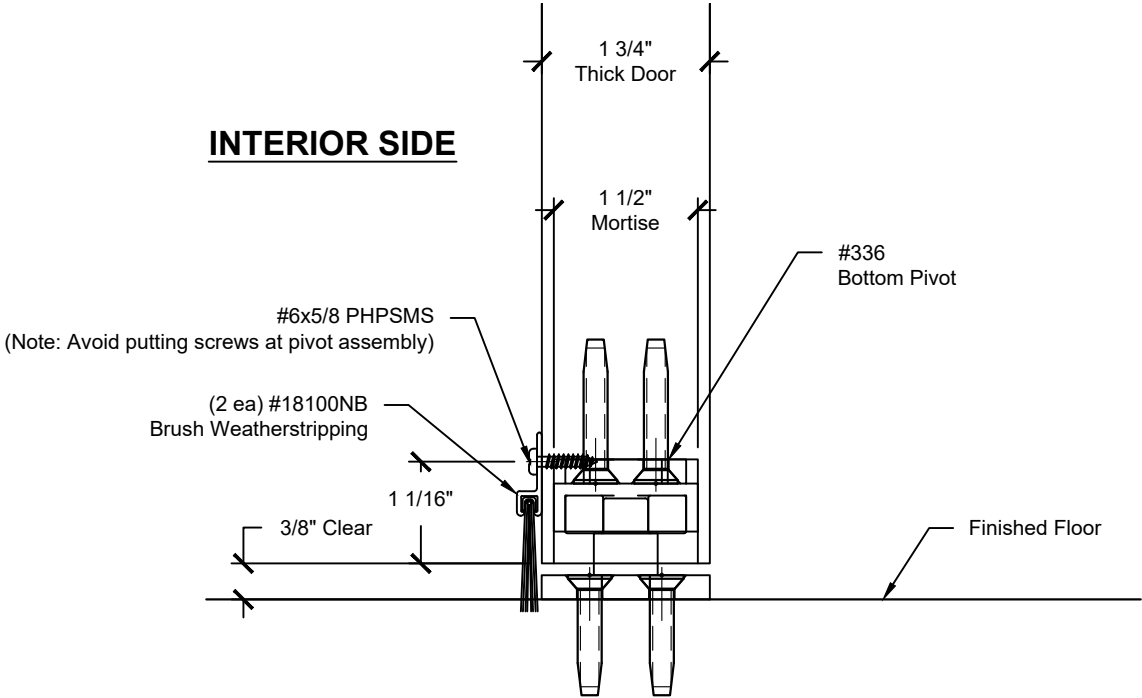
**A** Head Section Detail @ Pivot  
Scale: 3" = 1'-0"

REVISIONS			
REV.	DESCRIPTION	DATE	APPROVED



**B** Head Section Detail @ Trolley  
Scale: 3" = 1'-0"

REVISIONS			
REV.	DESCRIPTION	DATE	APPROVED

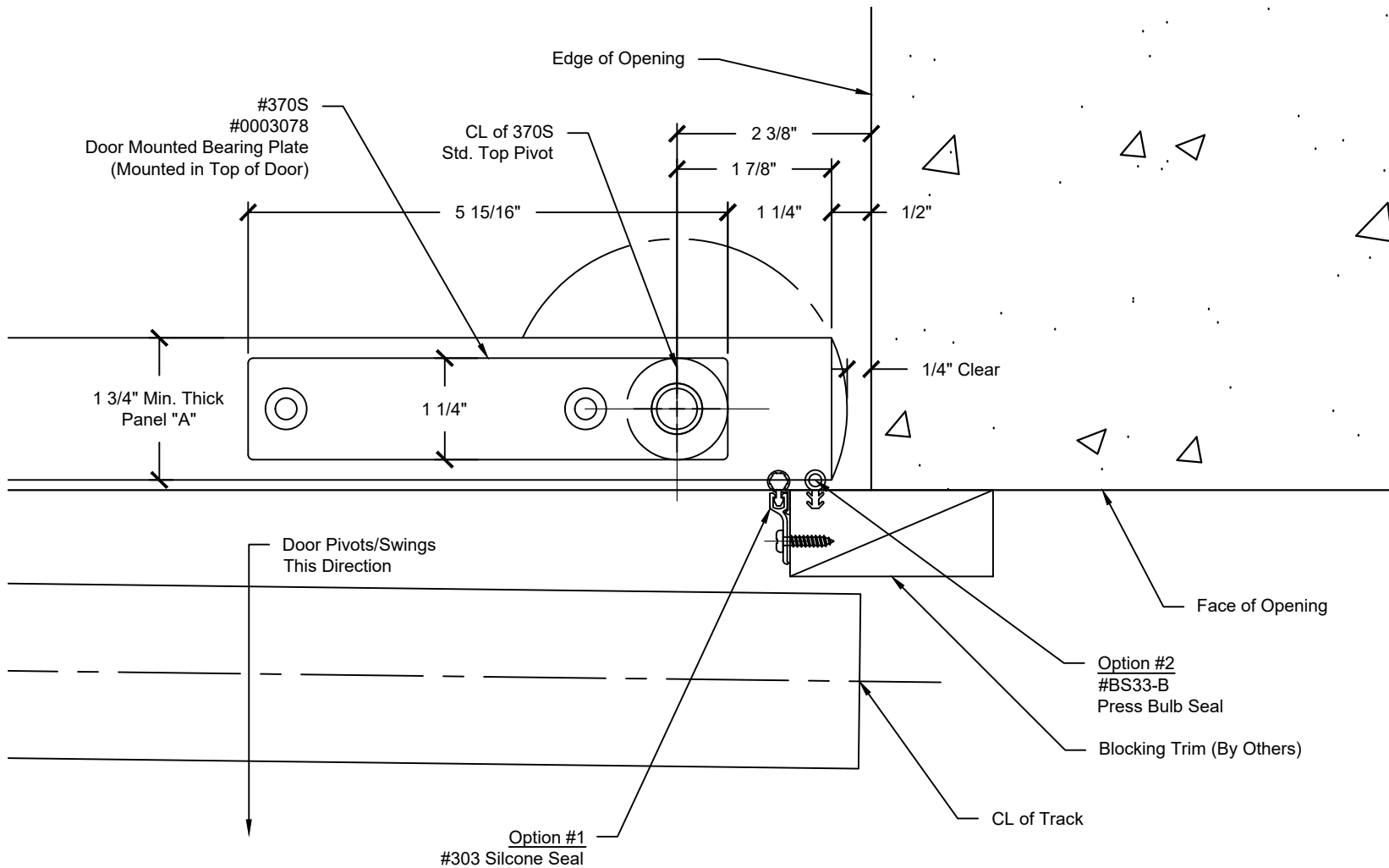


**C** Sill Detail @ Pivot  
Scale: 6" = 1'-0"



**CROWN INDUSTRIAL**  
So. San Francisco, Ca  
(650) 952-5150  
www.crown-industrial.com

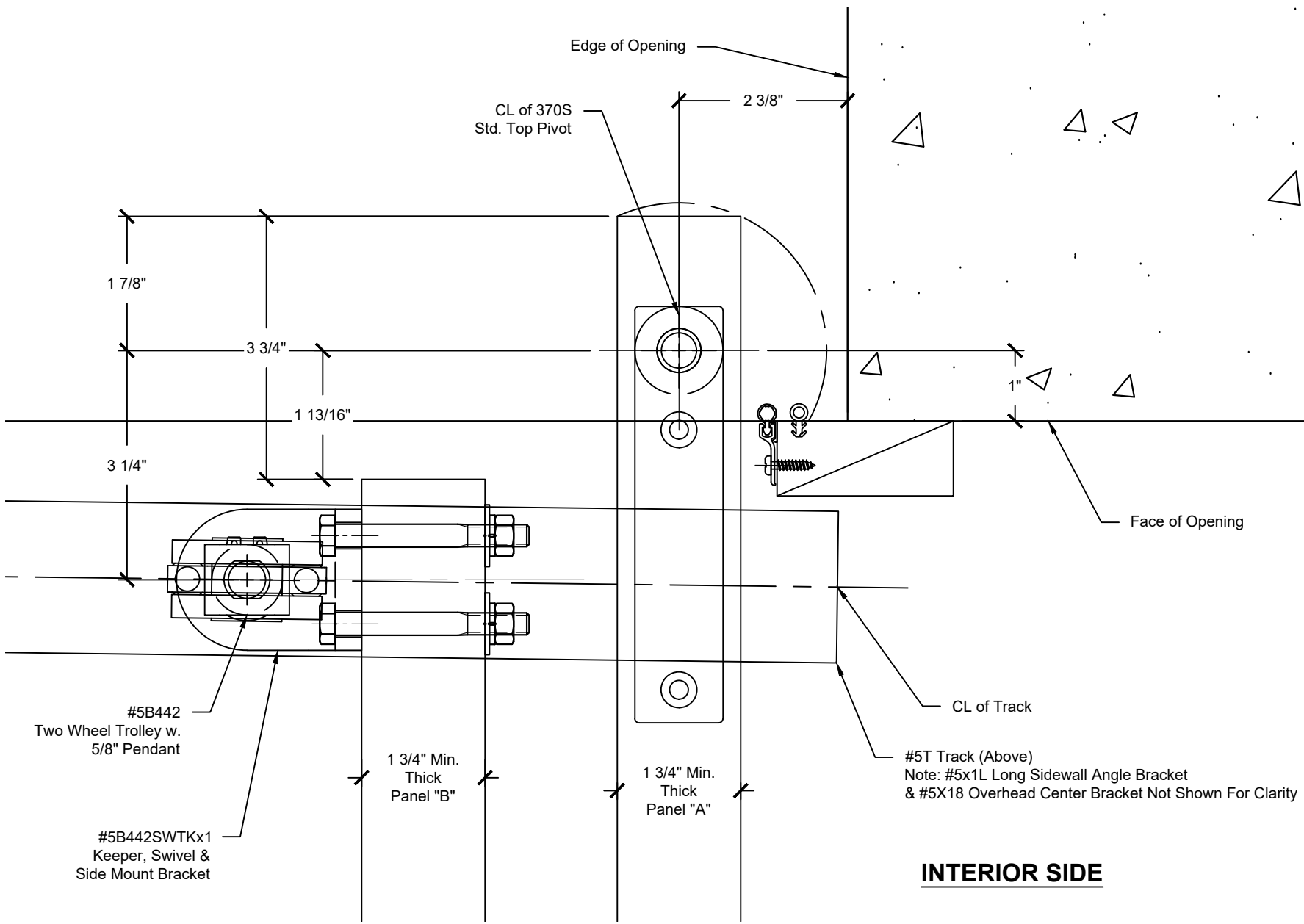
THE INFORMATION CONTAINED IN THIS DRAWING IS THE SOLE PROPERTY OF CROWN INDUSTRIAL. ANY REPRODUCTION IN PART OR AS A WHOLE WITHOUT WRITTEN PERMISSION OF CROWN INDUSTRIAL IS PROHIBITED.



**INTERIOR SIDE**

**D.1 Jamb Detail @ Pivot (Door Closed Position)**

Scale: 6" = 1'-0"



#5B442  
Two Wheel Trolley w.  
5/8\" Pendant

#5B442SWTKx1  
Keeper, Swivel &  
Side Mount Bracket

1 3/4\" Min.  
Thick  
Panel \"B\"

1 3/4\" Min.  
Thick  
Panel \"A\"

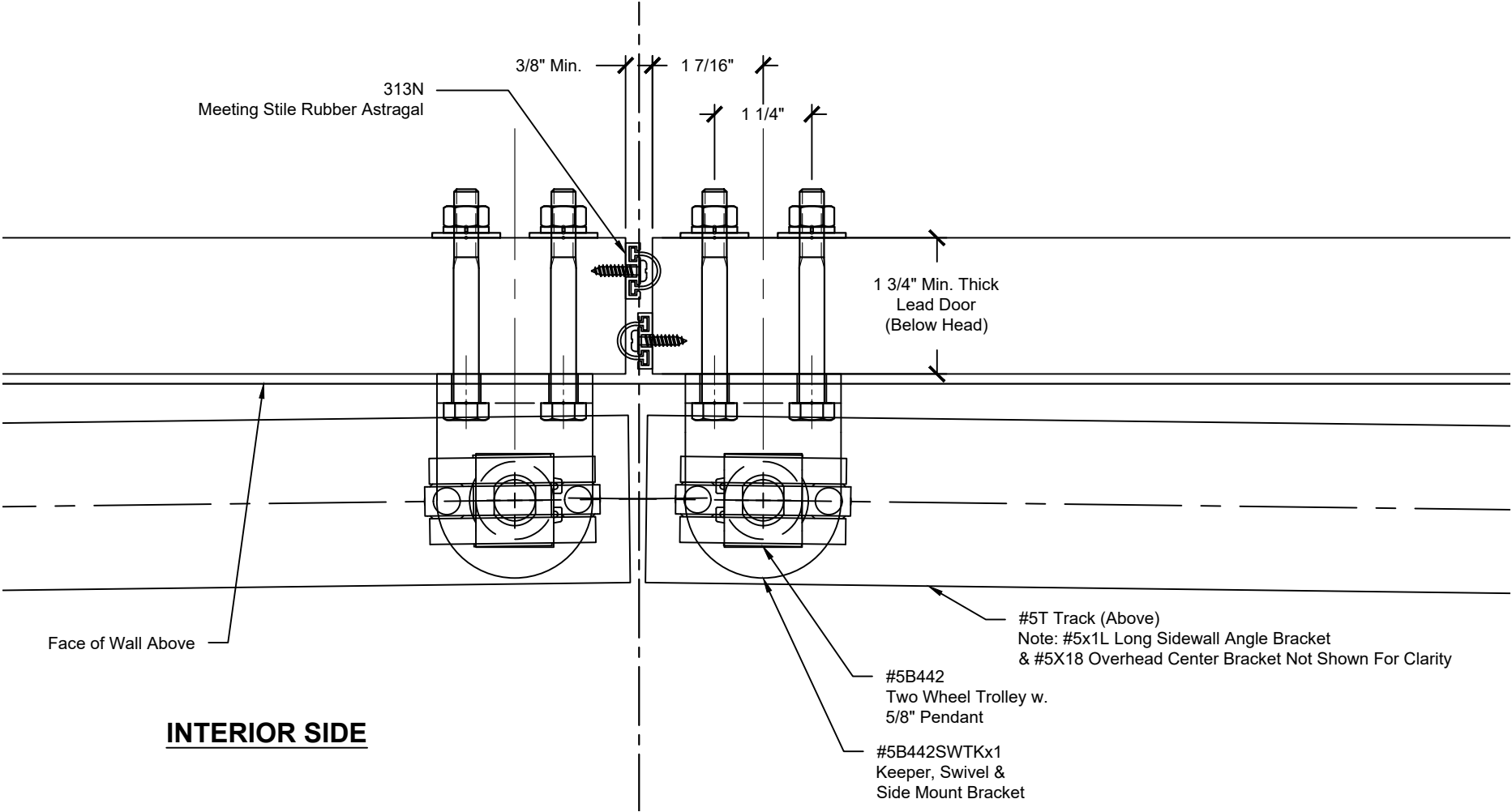
#5T Track (Above)  
Note: #5x1L Long Sidewall Angle Bracket  
& #5X18 Overhead Center Bracket Not Shown For Clarity

**INTERIOR SIDE**

**D.2** Jamb Detail @ Pivot (Door Open Position)

Scale: 6\" = 1'-0\"

REVISIONS			
REV.	DESCRIPTION	DATE	APPROVED



**E**

**Plan Section Detail @ Lead Edges of Door**

Scale: 6" = 1'-0"