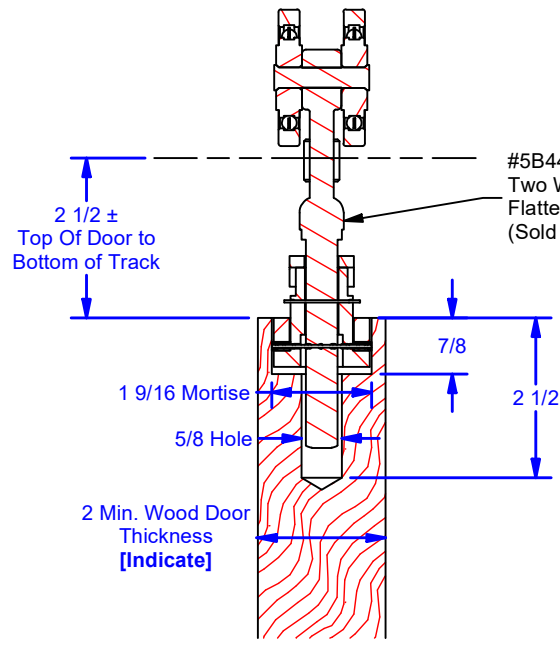
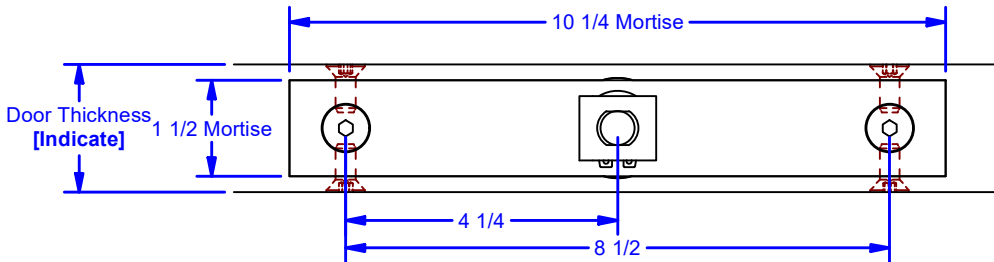
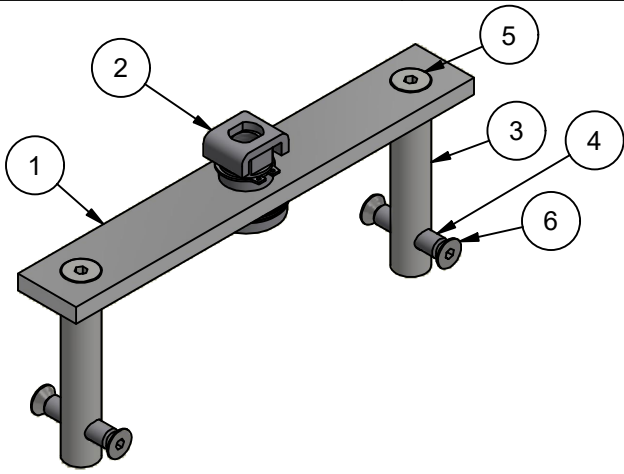
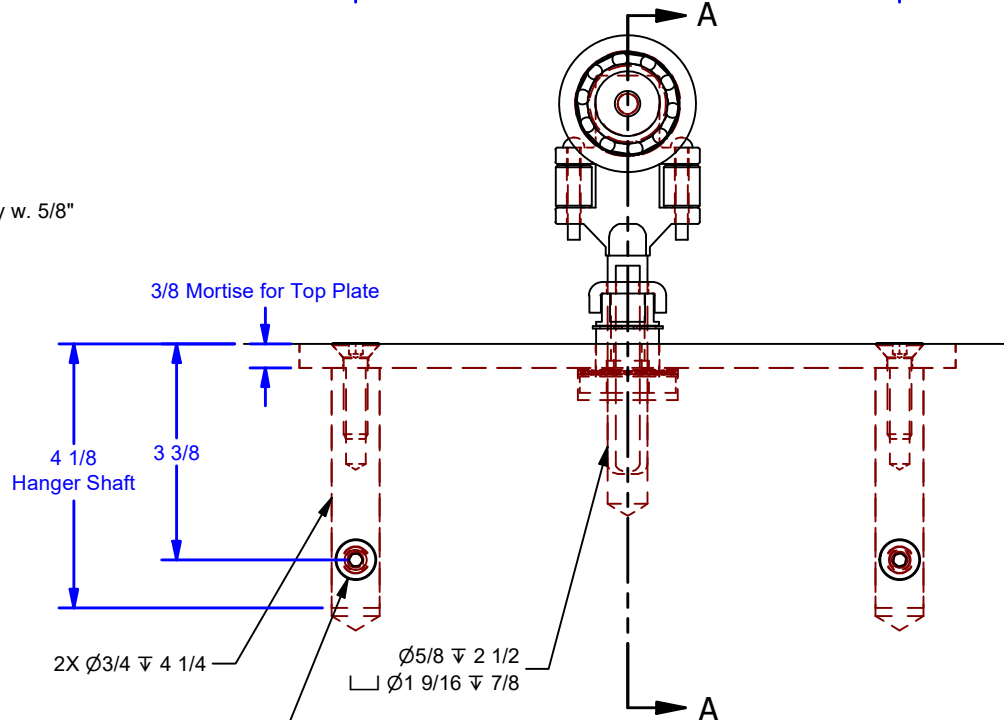


Parts List					
ITEM	QTY	ID #	DESCRIPTION	STOCK PART #	
1	1	0003024	Center Hung Top Plate	5B442T-CH	
2	1	0000116	#5 Top Swivel w/ Keeper	5B442SW	
3	2	0000373	Hanger Shaft	0000373	
4	2	0000374-1-04	Hanger Cross Shaft for 2" Door	0000374x1.5	
5	2	FHSCS 3/8-16 UNC x 1.5 Zinc	Flat Head Socket Cap Screw, Zinc		
6	4	FHSCS 5/16-18 UNC x 0.75 S.S. 18-8	Flat Head Socket Cap Screw, S.S. 18-8		



SECTION A-A
SCALE 1:3



4X Ø11/32 THRU
∠ Ø41/64 X 82°
For 5/16 Flat Head Machine Screw (82)

ALL DIMENSIONS IN INCHES

THE INFORMATION CONTAINED IN THIS DRAWING IS THE SOLE PROPERTY OF CROWN INDUSTRIAL. ANY REPRODUCTION IN PART OR AS A WHOLE WITHOUT THE WRITTEN PERMISSION OF CROWN INDUSTRIAL IS PROHIBITED.

DESCRIPTION:
Center Hung Pivot Assy: Keeper, Swivel, & Top Plate

FINISH:
Clear Zinc

ID #:
0003025

STOCK PART #:
5B442SWTK-CH

PCS: REV:



CROWN INDUSTRIAL
So. San Francisco, Ca
(650) 952-5150
www.crown-industrial.com