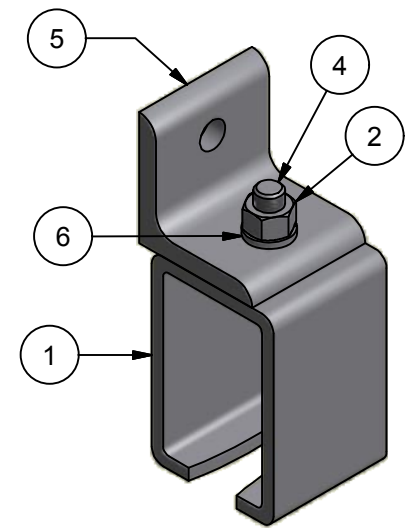
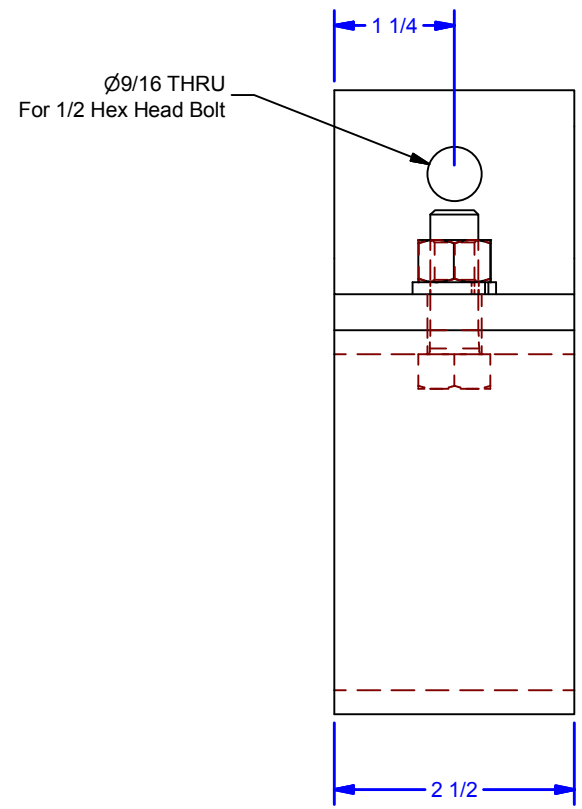
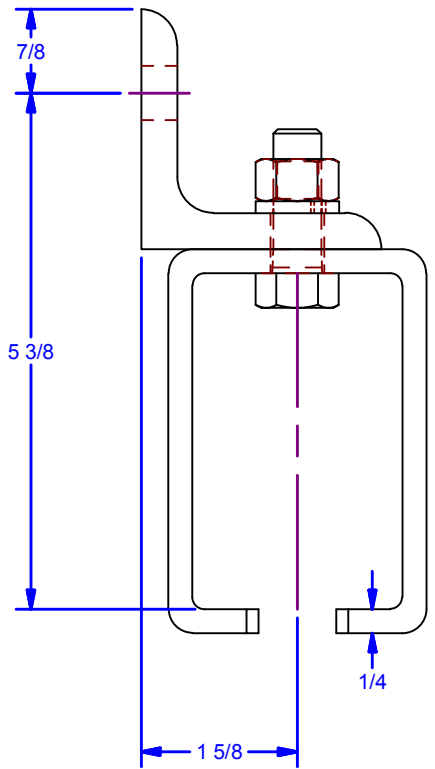


		Parts List		
ITEM	QTY	PART #	DESCRIPTION	STOCK #
1	1	0000724	#5 Overhead Bracket	5x18
2	1	HN 1/2 - 13 Zinc-5	Hex Nut - Grade 5, Zinc	
4	1	HHMB 1/2-13 UNC - 1.5 Zinc -5	Hex Head Machine Bolt -Grade 5, Zinc	
5	1	0000837	Sidewall Bracket Angle Adaptor	5Px1982
6	1	1/2 LW Zinc	Lock Washer, Zinc	

FOR CONVEYORS TYPICAL
****ALL FASTENERS BY OTHERS**



ALL DIMENSIONS IN INCHES

THE INFORMATION CONTAINED IN THIS DRAWING IS THE SOLE PROPERTY OF CROWN INDUSTRIAL. ANY REPRODUCTION IN PART OR AS A WHOLE WITHOUT THE WRITTEN PERMISSION OF CROWN INDUSTRIAL IS PROHIBITED.	PART #:	0000912	STOCK #:	5x1 SPL
	MATERIAL:			
DESCRIPTION: Sidewall Center Bracket Assy, #5 Track w/ #5 Angle Clip (Not Std.)				
FINISH:	Powder Coat	# PCS:	1	REV:



CROWN INDUSTRIAL
 So. San Francisco, Ca
 (650) 952-5150
www.crown-industrial.com