

4

3

2

1

D

D

C

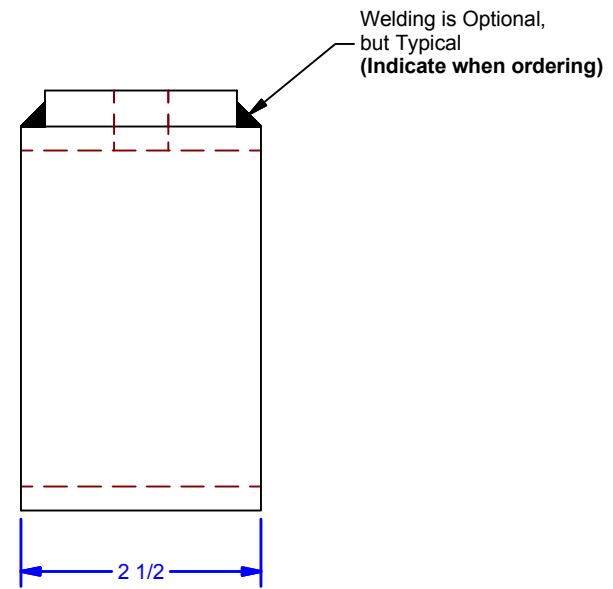
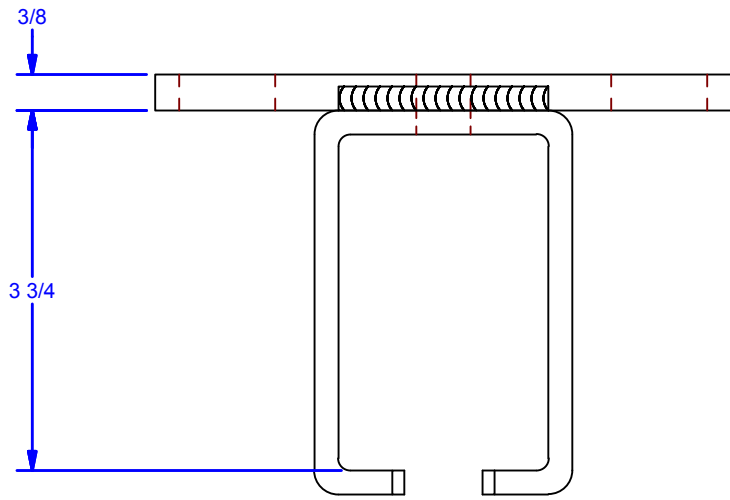
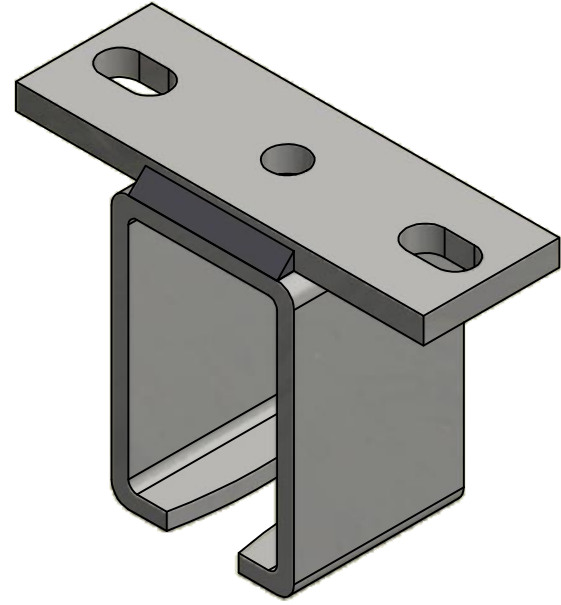
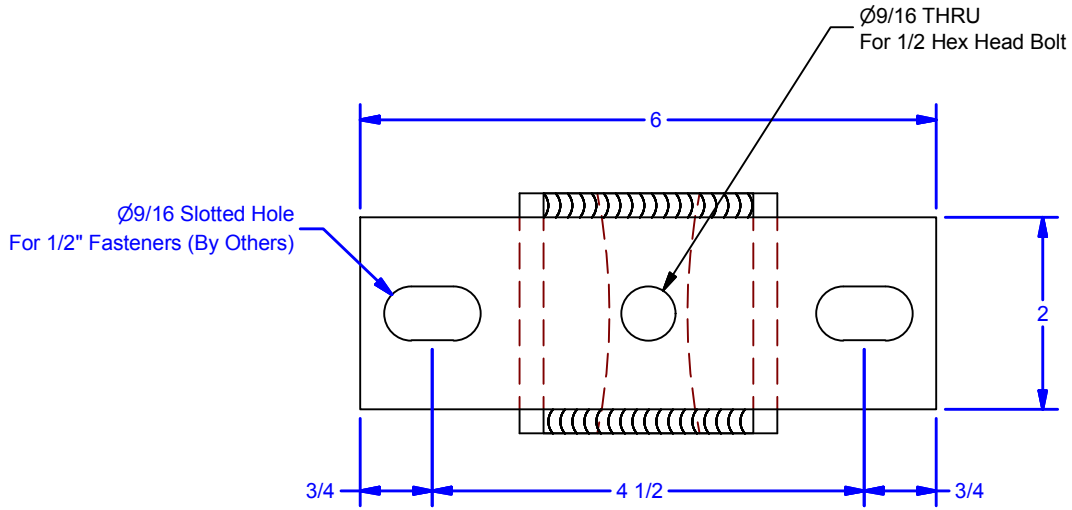
C

B

B

A

A



DWG #: 0002059
 DRAWN:BCM 12/17/2008
 SHEET #7
 File: 0002059.idw

ALL DIMENSIONS IN INCHES

THE INFORMATION CONTAINED IN THIS DRAWING IS THE SOLE PROPERTY OF CROWN INDUSTRIAL. ANY REPRODUCTION IN PART OR AS A WHOLE WITHOUT THE WRITTEN PERMISSION OF CROWN INDUSTRIAL IS PROHIBITED.	ID #:	0000323	STOCK PART #:	5PX5
	MATERIAL:	Welded Steel Mild		
DESCRIPTION: Cross Ear Bracket Assembly				
FINISH:	Painted	# PCS:	REV:	A

CROWN INDUSTRIAL
 So. San Francisco, Ca
 (650) 952-5150
 www.crown-industrial.com

4

3

2

1

