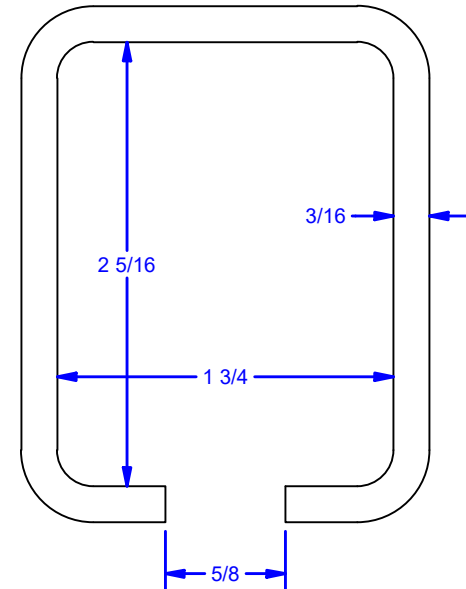


**Plan View**



**ALL DIMENSIONS IN INCHES**

THE INFORMATION CONTAINED IN THIS DRAWING IS THE SOLE PROPERTY OF CROWN INDUSTRIAL. ANY REPRODUCTION IN PART OR AS A WHOLE WITHOUT THE WRITTEN PERMISSION OF CROWN INDUSTRIAL IS PROHIBITED.	ID #:	0002142-03	STOCK PART #:	5P18R90
	MATERIAL:	Steel, Mild		
DESCRIPTION: Horizontal Curve 18" R x 90 Deg (non-handed)				
FINISH:	Powder Coat	# PCS:	REV:	

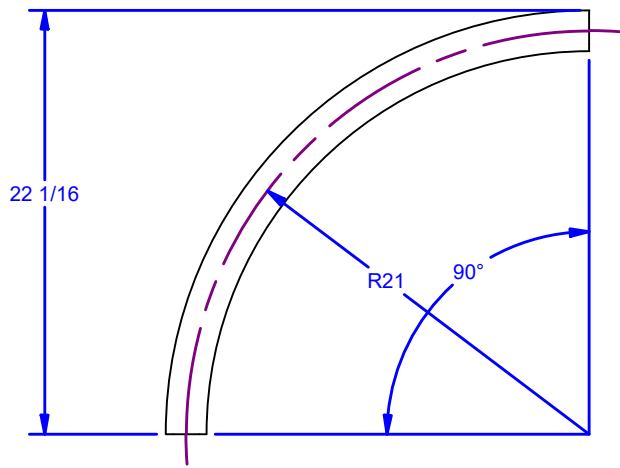


**CROWN INDUSTRIAL**

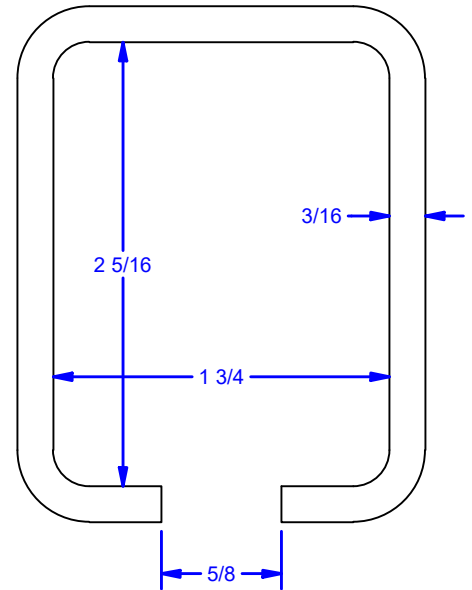
So. San Francisco, Ca  
(650) 952-5150

[www.crown-industrial.com](http://www.crown-industrial.com)

DWG #: 0002059  
DRAWN:BCM 3/28/2013  
SHEET #17  
File: 0002059.idw



**Plan View**



**ALL DIMENSIONS IN INCHES**

THE INFORMATION CONTAINED IN THIS DRAWING IS THE SOLE PROPERTY OF CROWN INDUSTRIAL. ANY REPRODUCTION IN PART OR AS A WHOLE WITHOUT THE WRITTEN PERMISSION OF CROWN INDUSTRIAL IS PROHIBITED.	ID #:	0002142-08	STOCK PART #:	5P21R90
	MATERIAL:	Steel, Mild		
DESCRIPTION: Horizontal Curve 21" R x 90 Deg (non-handed)				
FINISH:	Powder Coat	# PCS:	REV:	



**CROWN INDUSTRIAL**  
So. San Francisco, Ca  
(650) 952-5150  
www.crown-industrial.com

4

3

2

1

D

D

C

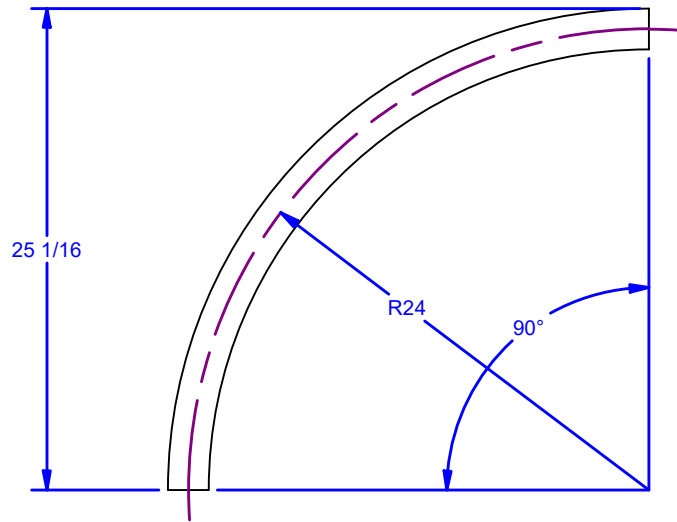
C

B

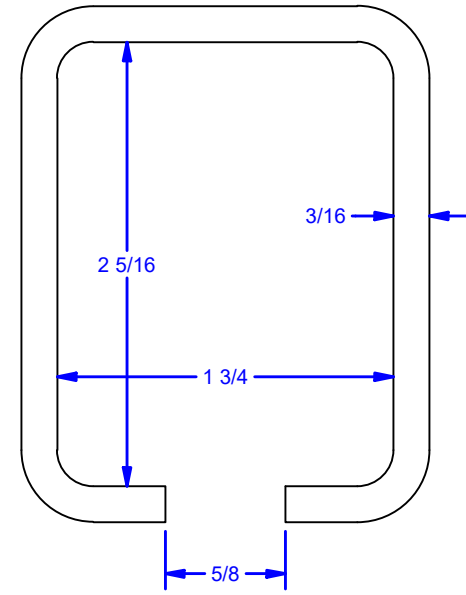
B

A

A



**Plan View**



**ALL DIMENSIONS IN INCHES**

THE INFORMATION CONTAINED IN THIS DRAWING IS THE SOLE PROPERTY OF CROWN INDUSTRIAL. ANY REPRODUCTION IN PART OR AS A WHOLE WITHOUT THE WRITTEN PERMISSION OF CROWN INDUSTRIAL IS PROHIBITED.	ID #:	0002142-01	STOCK PART #:	5P24R90
	MATERIAL:	Steel, Mild		
DESCRIPTION: Horizontal Curve 24" R x 90 Deg (non-handed)				
FINISH:	Powder Coat	# PCS:	REV:	



**CROWN INDUSTRIAL**  
 So. San Francisco, Ca  
 (650) 952-5150  
[www.crown-industrial.com](http://www.crown-industrial.com)

DWG #: 0002059  
 DRAWN: BCM 3/28/2013  
 SHEET #19  
 File: 0002059.idw

4

3

2

1

4

3

2

1

D

D

C

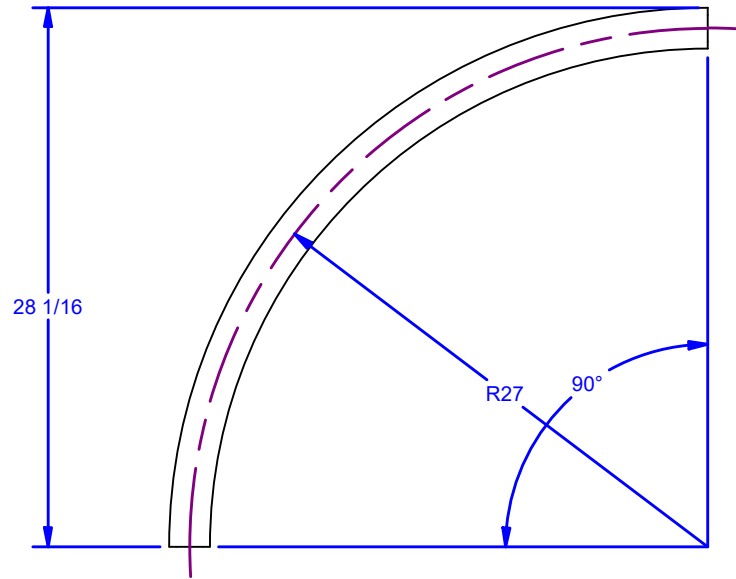
C

B

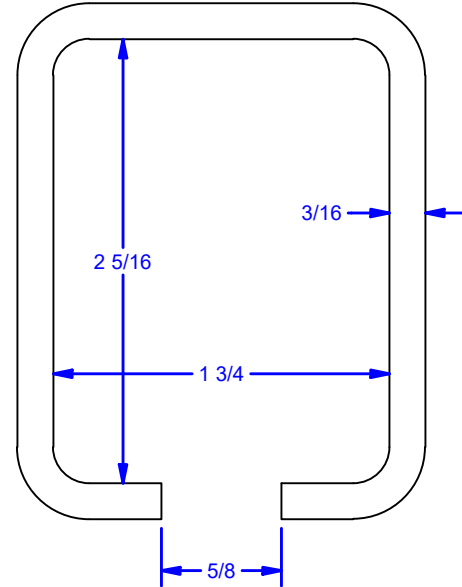
B

A

A



**Plan View**



**ALL DIMENSIONS IN INCHES**

THE INFORMATION CONTAINED IN THIS DRAWING IS THE SOLE PROPERTY OF CROWN INDUSTRIAL. ANY REPRODUCTION IN PART OR AS A WHOLE WITHOUT THE WRITTEN PERMISSION OF CROWN INDUSTRIAL IS PROHIBITED.	ID #:	0002142-07	STOCK PART #:	5P27R90
	MATERIAL:	Steel, Mild		
DESCRIPTION: Horizontal Curve 27" R x 90 Deg (non-handed)				
FINISH:	Powder Coat	# PCS:	REV:	



**CROWN INDUSTRIAL**

So. San Francisco, Ca  
(650) 952-5150  
www.crown-industrial.com

DWG #: 0002059  
DRAWN:BCM 3/28/2013  
SHEET #20  
File: 0002059.idw

4

3

2

1



4

3

2

1

D

D

C

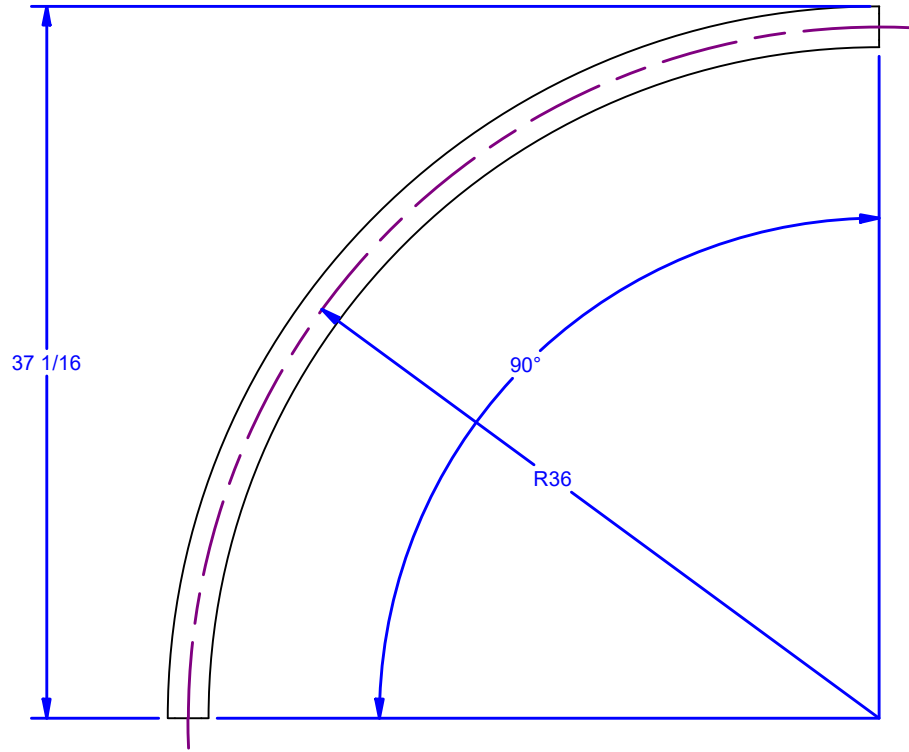
C

B

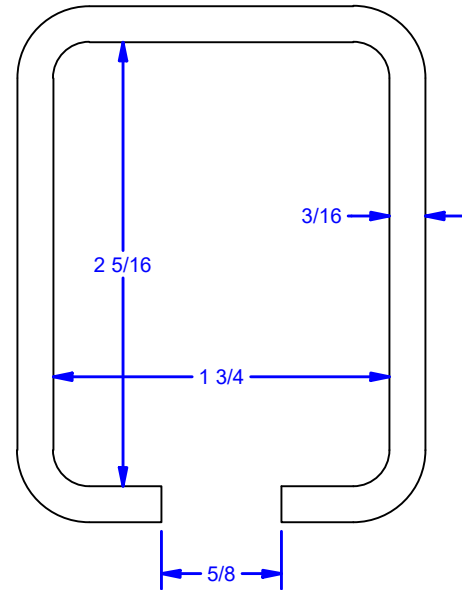
B

A

A



**Plan View**



**ALL DIMENSIONS IN INCHES**

THE INFORMATION CONTAINED IN THIS DRAWING IS THE SOLE PROPERTY OF CROWN INDUSTRIAL. ANY REPRODUCTION IN PART OR AS A WHOLE WITHOUT THE WRITTEN PERMISSION OF CROWN INDUSTRIAL IS PROHIBITED.	ID #: 0002142-02	STOCK PART #: 5P36R90
	MATERIAL: Steel, Mild	
DESCRIPTION: Horizontal Curve 36" R x 90 Deg (non-handed)		
FINISH: Powder Coat	# PCS:	REV:



**CROWN INDUSTRIAL**

So. San Francisco, Ca  
(650) 952-5150

[www.crown-industrial.com](http://www.crown-industrial.com)

DWG #: 0002059  
DRAWN:BCM 3/28/2013  
SHEET #21

File: 0002059.idw

4

3

2

1

D

D

C

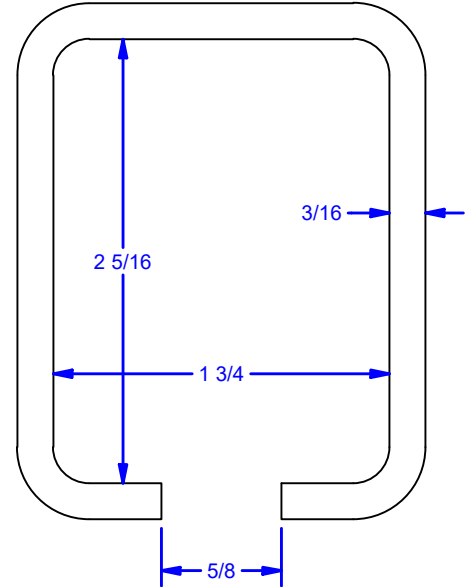
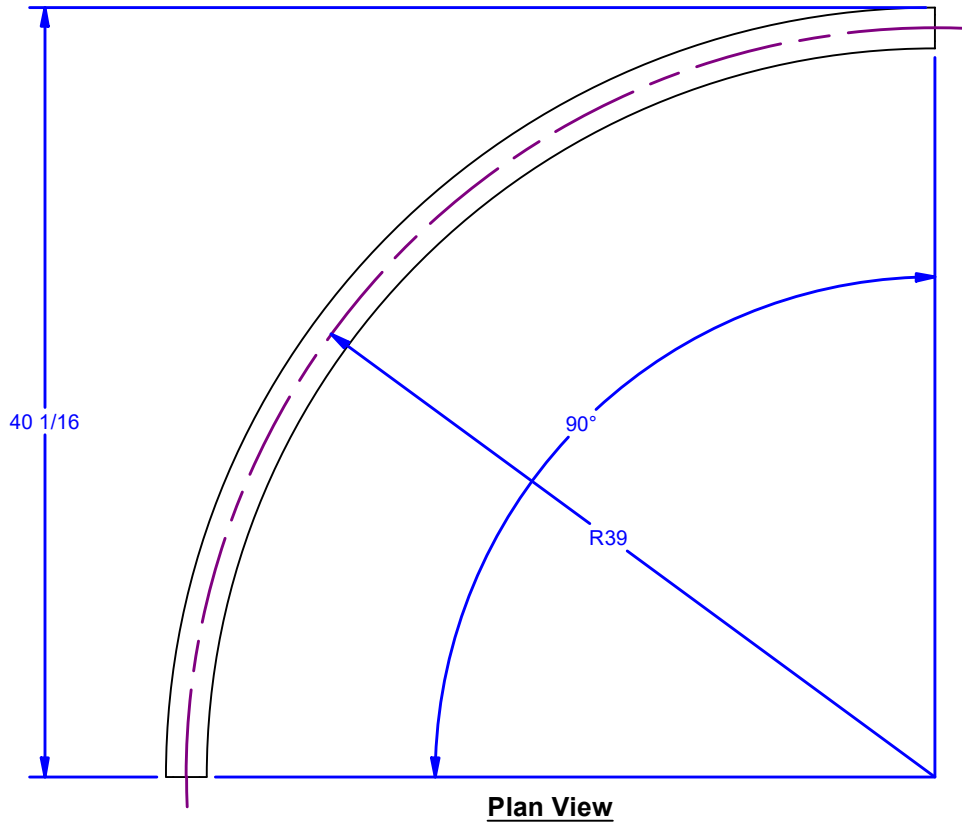
C

B

B

A

A



DWG #: 0002059  
 DRAWN: BCM 3/28/2013  
 SHEET #22  
 File: 0002059.idw

**ALL DIMENSIONS IN INCHES**

THE INFORMATION CONTAINED IN THIS DRAWING IS THE SOLE PROPERTY OF CROWN INDUSTRIAL. ANY REPRODUCTION IN PART OR AS A WHOLE WITHOUT THE WRITTEN PERMISSION OF CROWN INDUSTRIAL IS PROHIBITED.	ID #:	0002142-04	STOCK PART #:	5P39R90
	MATERIAL:	Steel, Mild		
DESCRIPTION: Horizontal Curve 39" R x 90 Deg (non-handed)				
FINISH:	Powder Coat		# PCS:	REV:



**CROWN INDUSTRIAL**  
 So. San Francisco, Ca  
 (650) 952-5150  
 www.crown-industrial.com

4

3

2

1

4

3

2

1

D

D

C

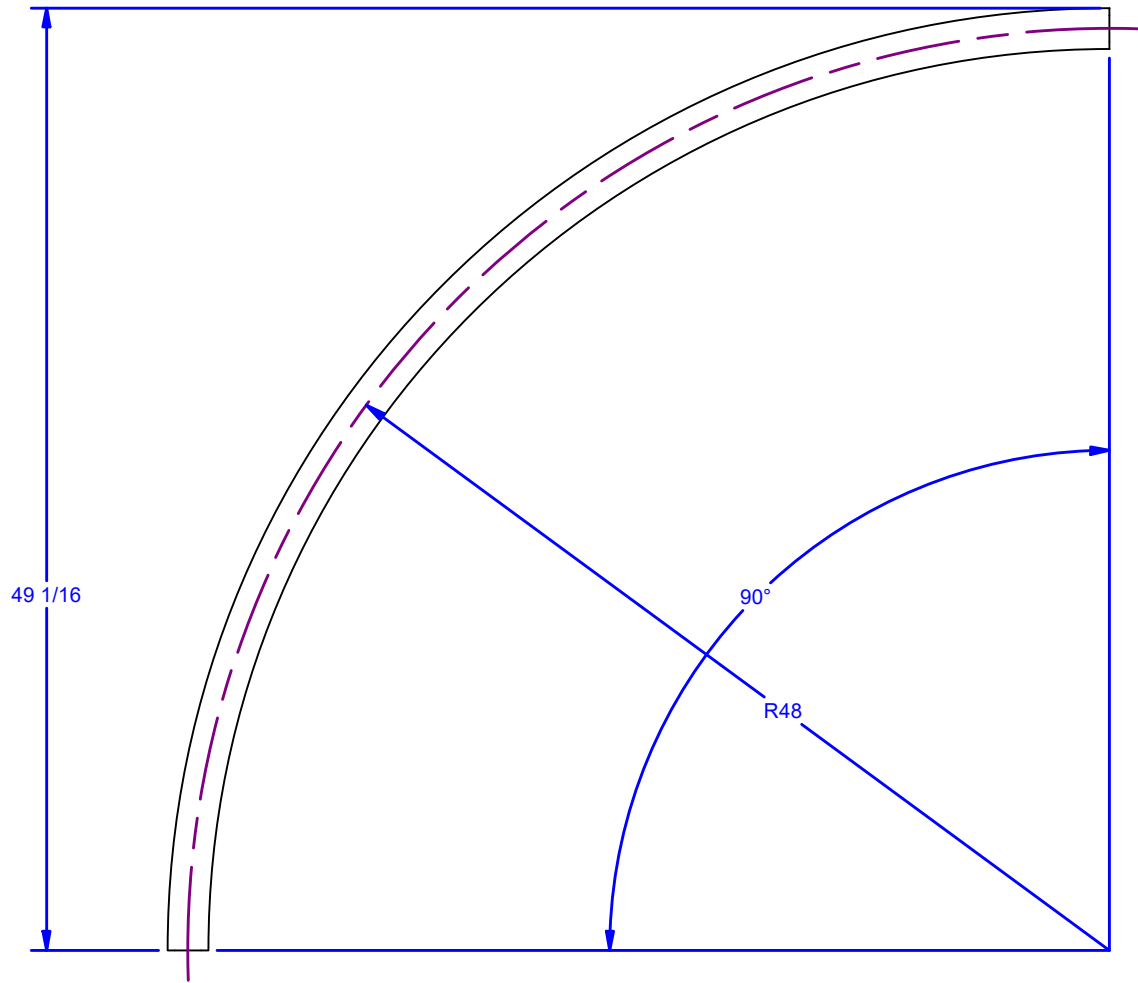
C

B

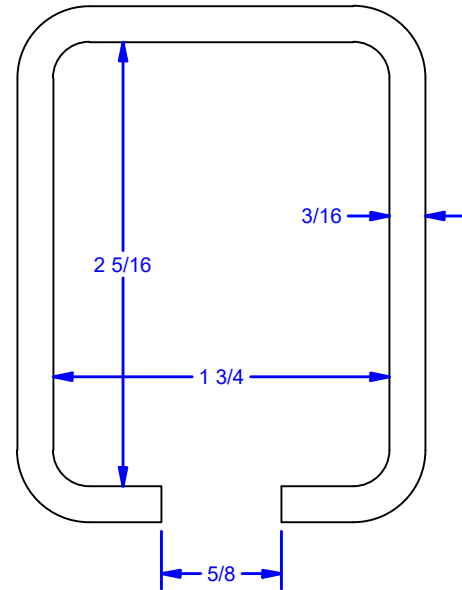
B

A

A



**Plan View**



**ALL DIMENSIONS IN INCHES**

THE INFORMATION CONTAINED IN THIS DRAWING IS THE SOLE PROPERTY OF CROWN INDUSTRIAL. ANY REPRODUCTION IN PART OR AS A WHOLE WITHOUT THE WRITTEN PERMISSION OF CROWN INDUSTRIAL IS PROHIBITED.	ID #:	0002142-05	STOCK PART #:	5P48R90
	MATERIAL:	Steel, Mild		
DESCRIPTION: Horizontal Curve 48" R x 90 Deg (non-handed)				
FINISH:	Powder Coat	# PCS:	REV:	



**CROWN INDUSTRIAL**

So. San Francisco, Ca  
(650) 952-5150

[www.crown-industrial.com](http://www.crown-industrial.com)

DWG #: 0002059  
DRAWN:BCM 3/28/2013  
SHEET #23

File: 0002059.idw

4

3

2

1



4

3

2

1

D

D

C

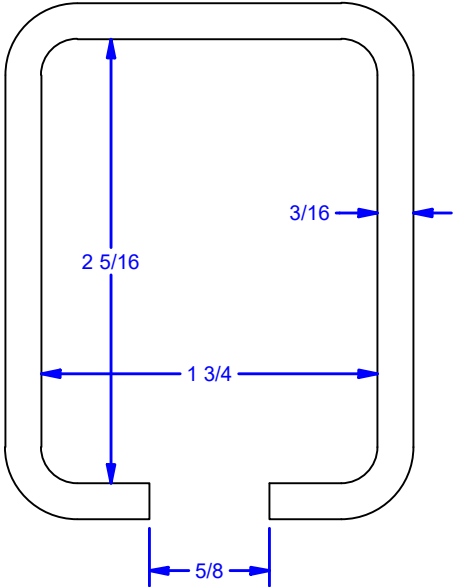
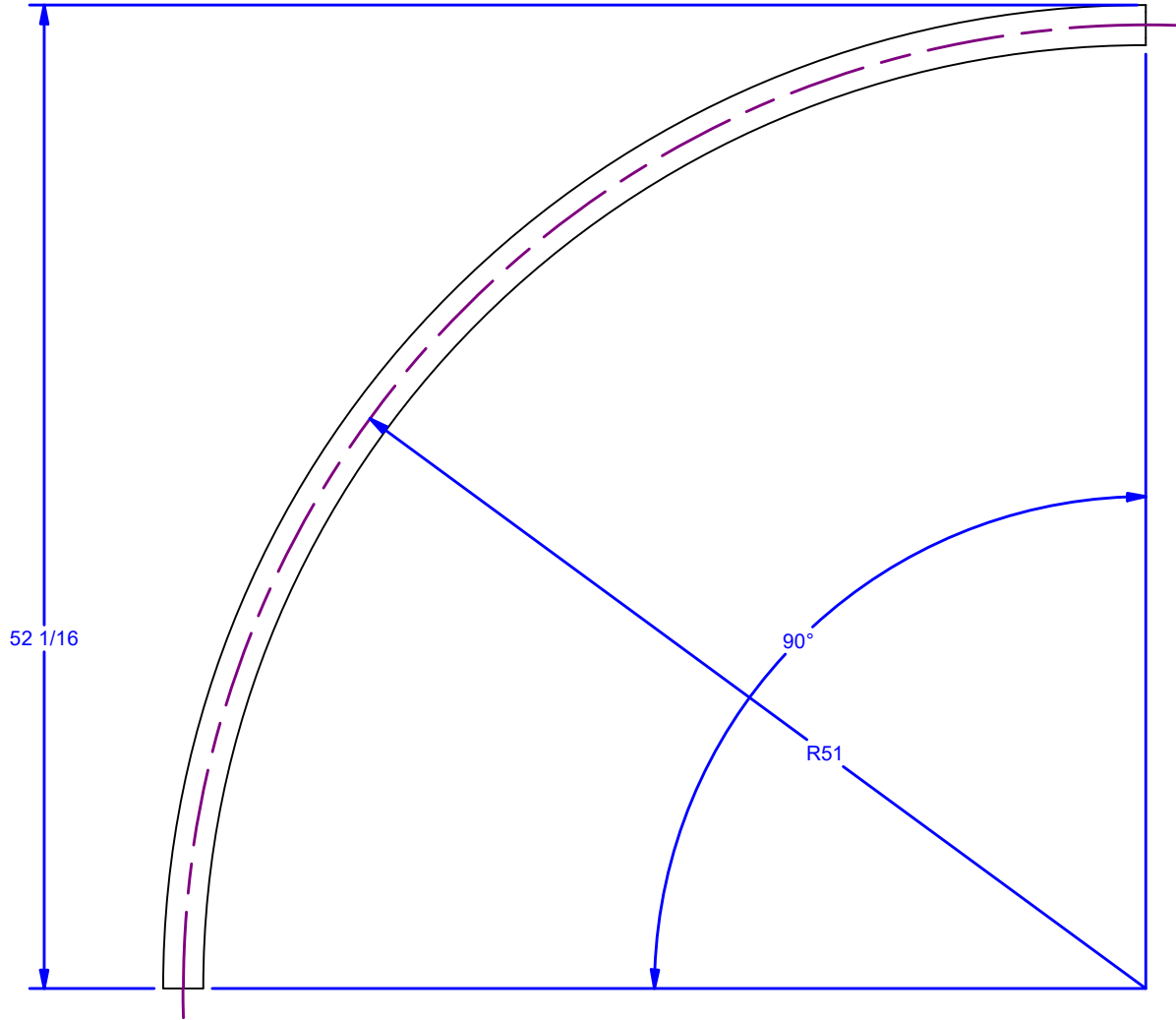
C

B

B

A

A



**Plan View**

**ALL DIMENSIONS IN INCHES**

THE INFORMATION CONTAINED IN THIS DRAWING IS THE SOLE PROPERTY OF CROWN INDUSTRIAL. ANY REPRODUCTION IN PART OR AS A WHOLE WITHOUT THE WRITTEN PERMISSION OF CROWN INDUSTRIAL IS PROHIBITED.	ID #:	0002142-06	STOCK PART #:	5P51R90
	MATERIAL:	Steel, Mild		
DESCRIPTION: Horizontal Curve 51" R x 90 Deg (non-handed)				
FINISH:	Powder Coat	# PCS:	REV:	

DWG #: 0002059  
 DRAWN:BCM 3/28/2013  
 SHEET #24  
 File: 0002059.idw



**CROWN INDUSTRIAL**  
 So. San Francisco, Ca  
 (650) 952-5150  
 www.crown-industrial.com