

4

3

2

1

D

D

C

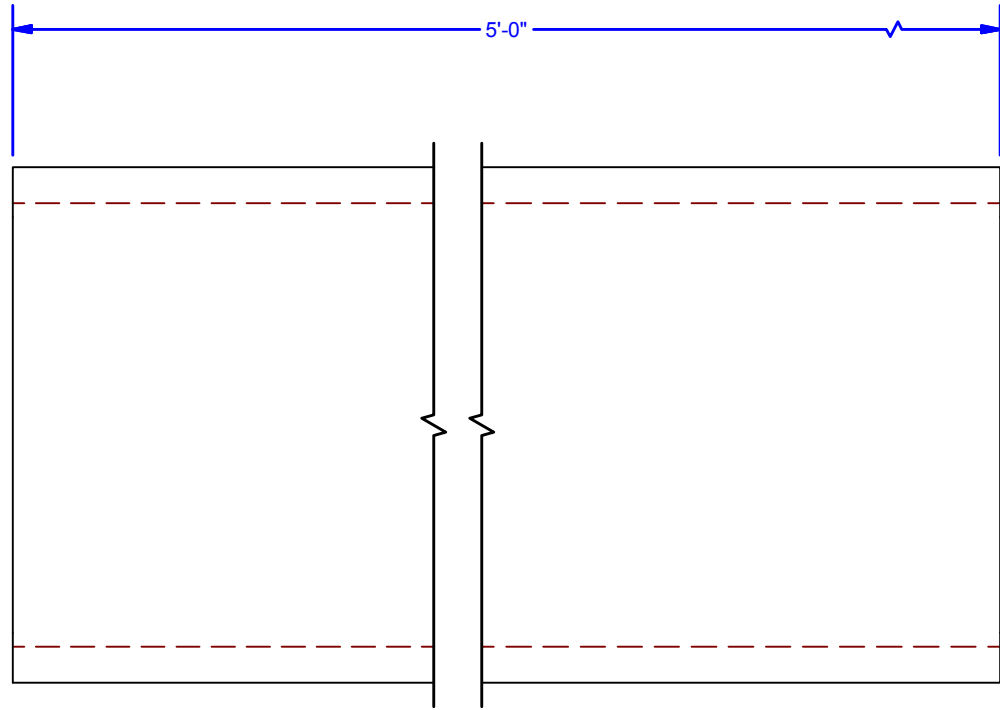
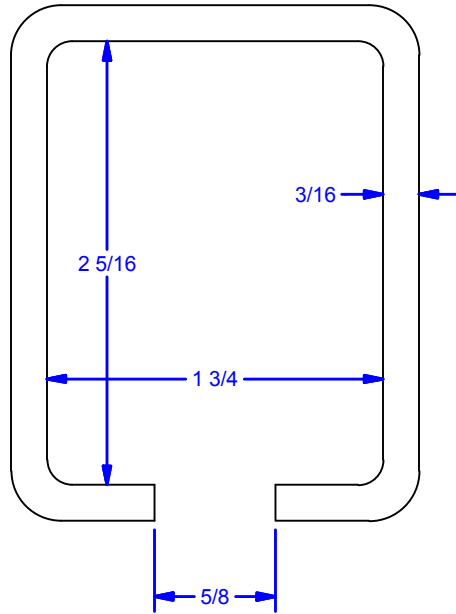
C

B

B

A

A



ALL DIMENSIONS IN INCHES

THE INFORMATION CONTAINED IN THIS DRAWING IS THE SOLE PROPERTY OF CROWN INDUSTRIAL. ANY REPRODUCTION IN PART OR AS A WHOLE WITHOUT THE WRITTEN PERMISSION OF CROWN INDUSTRIAL IS PROHIBITED.	ID #:	0002146	STOCK PART #:	5S-5
	MATERIAL:	Stainless Steel AISI 304		
DESCRIPTION: #5 Track				
FINISH:	2B	# PCS:	1	REV:



**CROWN INDUSTRIAL**

So. San Francisco, Ca  
(650) 952-5150

[www.crown-industrial.com](http://www.crown-industrial.com)

DWG #: 0002059  
DRAWN:BCM 2/9/2007  
SHEET #7

File: 0002059.idw

4

3

2

1

