

4

3

2

1

D

D

C

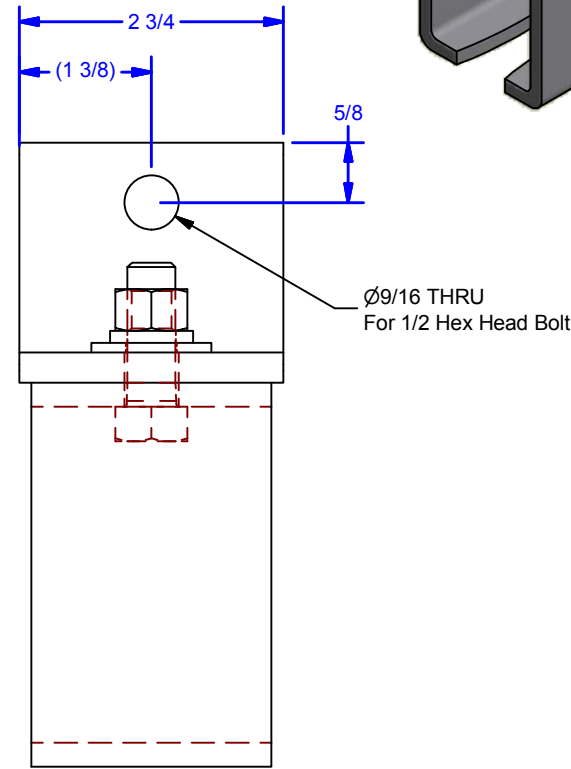
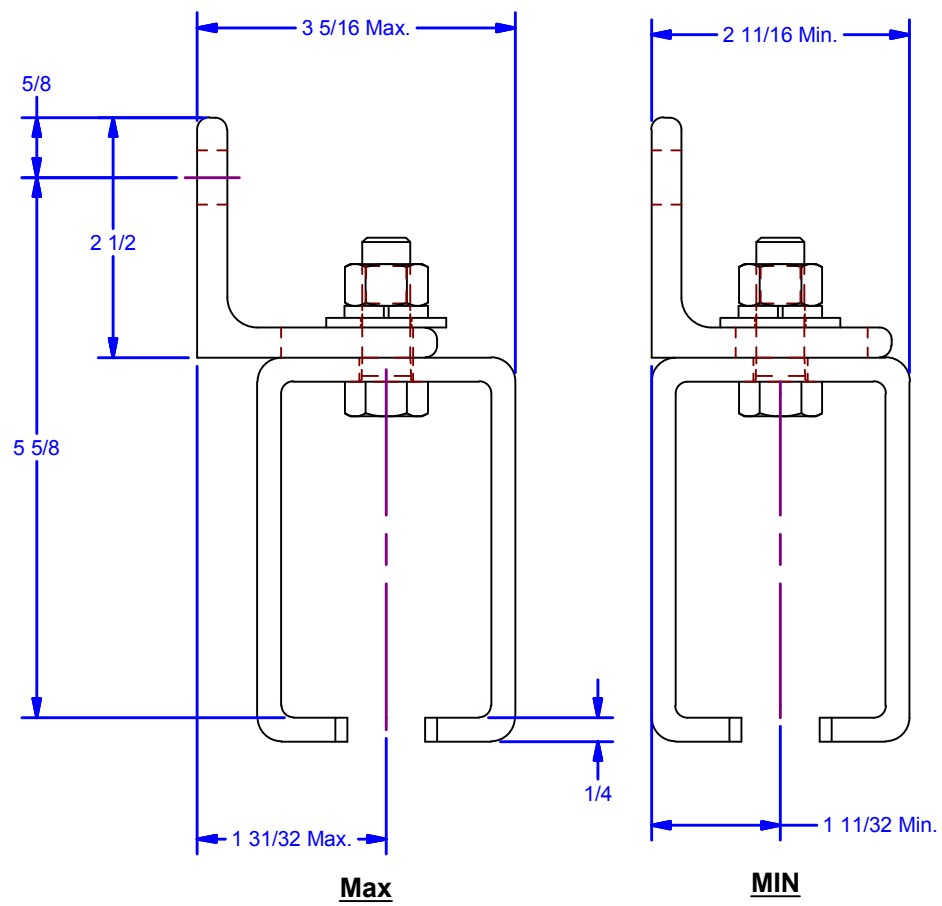
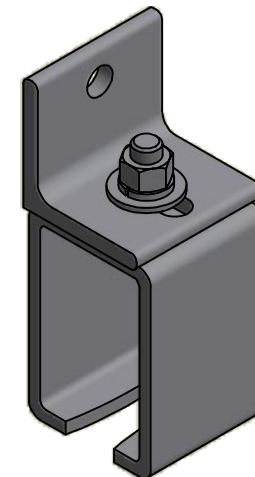
C

B

B

A

A



ALL DIMENSIONS IN INCHES

THE INFORMATION CONTAINED IN THIS DRAWING IS THE SOLE PROPERTY OF CROWN INDUSTRIAL. ANY REPRODUCTION IN PART OR AS A WHOLE WITHOUT THE WRITTEN PERMISSION OF CROWN INDUSTRIAL IS PROHIBITED.	ID #:	STOCK PART #:
	0000822	5x1
DESCRIPTION:	Sidewall Center Bracket Assy, #5 Track w/ #6 Angle Clip	
FINISH:	# PCS:	REV:
Powder Coat / HDG	1	

DWG #: 0002059
 DRAWN:BCM 11/17/2010
 SHEET #3
 File: 0002059.idw

CROWN INDUSTRIAL
 So. San Francisco, Ca
 (650) 952-5150
 www.crown-industrial.com

4

3

2

1

