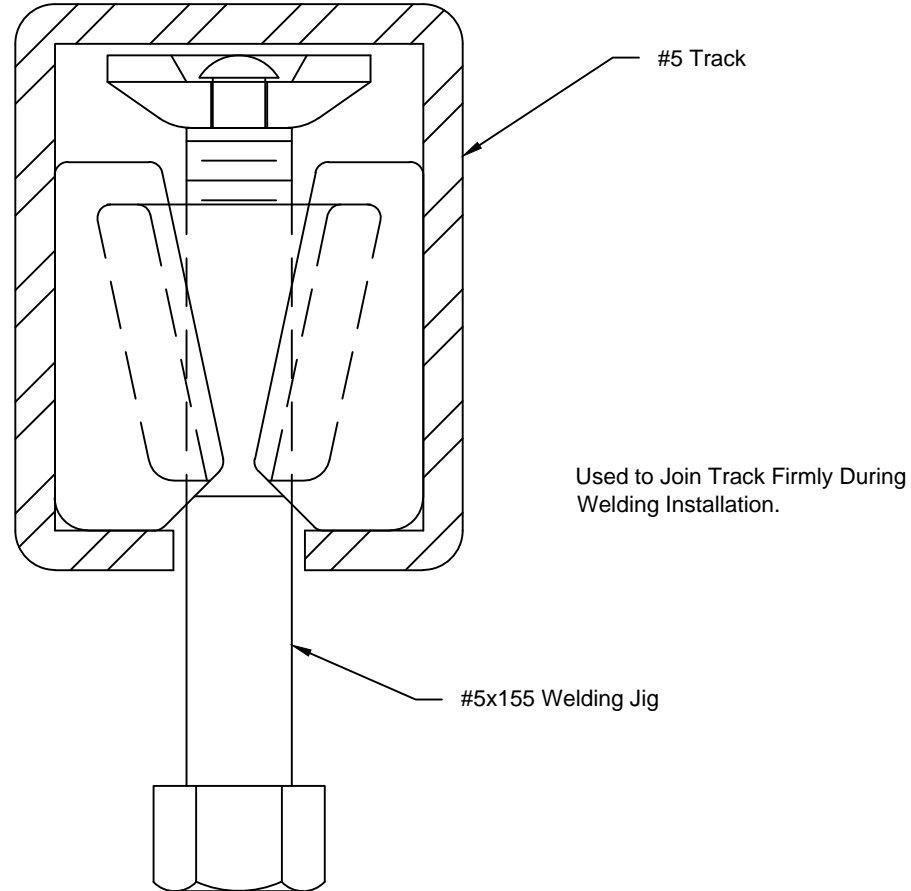


REVISIONS			
REV.	DESCRIPTION	DATE	APPROVED



DWG #5X155  
 DESCIP: #5 WELDING JIG  
 DRAWN:BCM ---- REV:-----  
 SCALE: NONE  
 SHEET # 1  
 FILE:c:\vault\workspace\designs\hardware\box track\#5\0001525

THE INFORMATION CONTAINED IN THIS DRAWING IS THE SOLE PROPERTY OF CROWN INDUSTRIAL. ANY REPRODUCTION IN PART OR AS A WHOLE WITHOUT WRITTEN PERMISSION OF CROWN INDUSTRIAL IS PROHIBITED.



**CROWN INDUSTRIAL**  
 So. San Francisco, Ca  
 (650) 952-5150  
 www.crown-industrial.com