

4

3

2

1

D

D

C

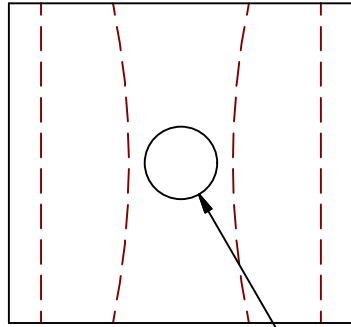
C

B

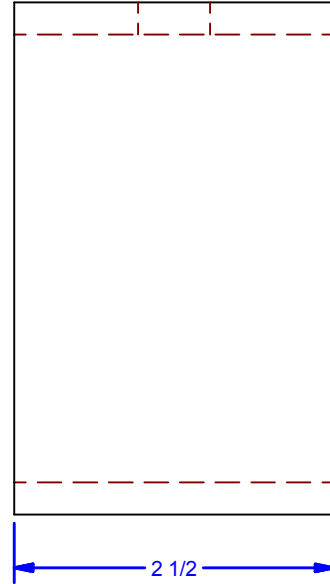
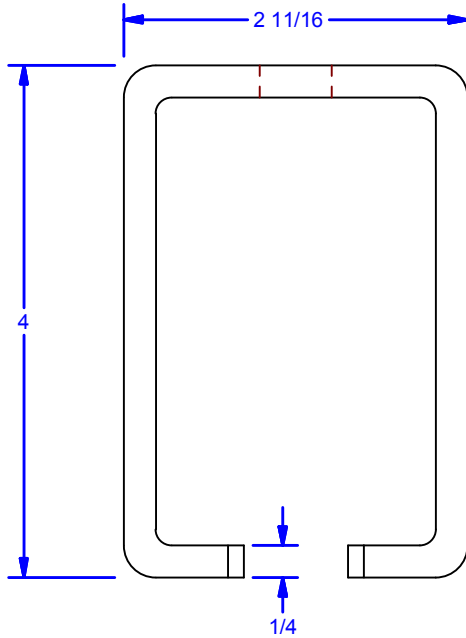
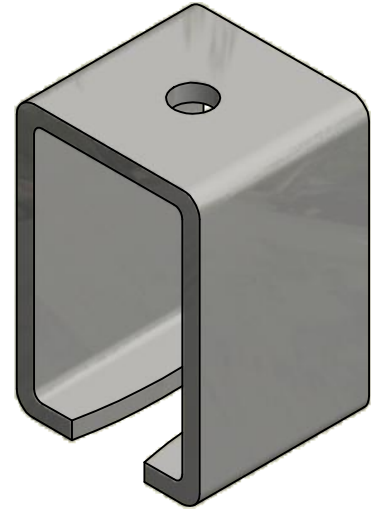
B

A

A



Ø9/16 THRU  
For 1/2 Hex Head Bolt



**Available Finishes:**  
**5Px18:** Powder Coat Pebble Tan  
**5Px18B:** Powder Coat Black  
**5Gx18:** Hot Dipped Galvanized  
**5Sx18:** 304 Stainless Steel - 2B Mill Finish

**ALL DIMENSIONS IN INCHES**

THE INFORMATION CONTAINED IN THIS DRAWING IS THE SOLE PROPERTY OF CROWN INDUSTRIAL. ANY REPRODUCTION IN PART OR AS A WHOLE WITHOUT THE WRITTEN PERMISSION OF CROWN INDUSTRIAL IS PROHIBITED.	ID #:	0000724	STOCK PART #:	5x18
	MATERIAL:		Steel, Mild	
DESCRIPTION:				
#5 Overhead Bracket				
FINISH:			# PCS:	REV:



**CROWN INDUSTRIAL**  
 So. San Francisco, Ca  
 (650) 952-5150  
[www.crown-industrial.com](http://www.crown-industrial.com)

DWG #: 0002059  
 DRAWN: BCM 6/4/2007  
 SHEET #1  
 File: 0002059.idw

4

3

2

1

