

4

3

2

1

D

D

C

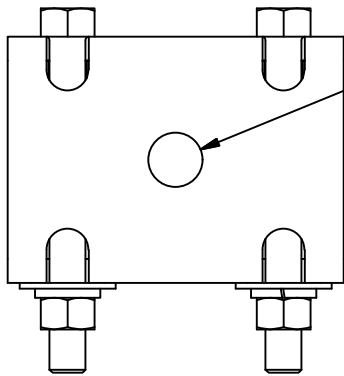
C

B

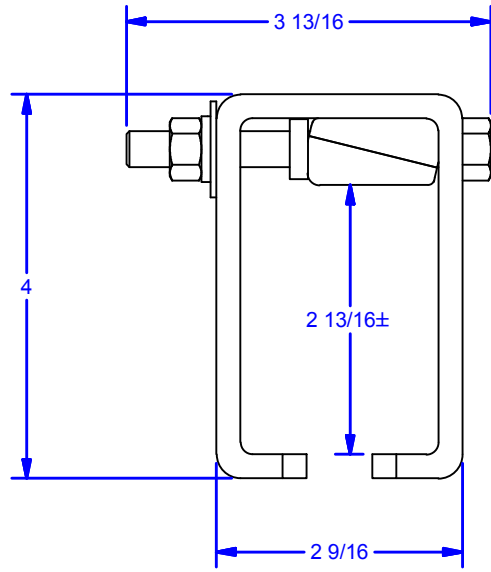
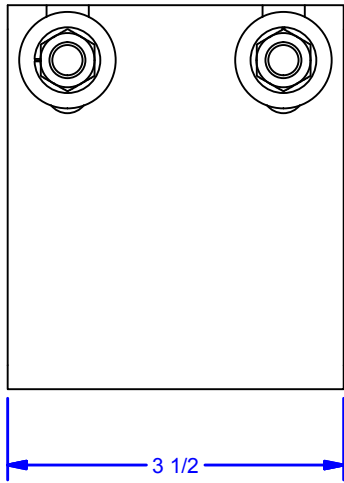
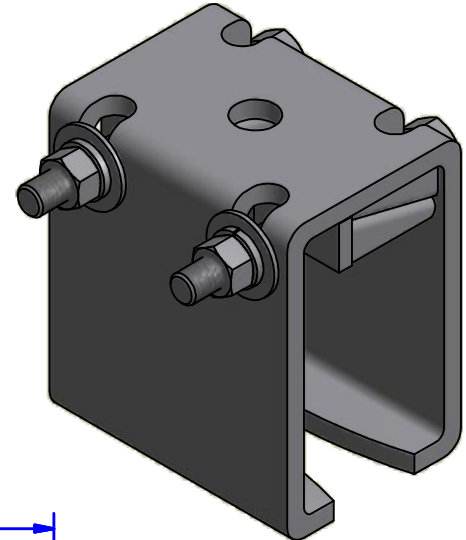
B

A

A



Ø9/16 THRU
For 1/2 Hex Head Bolt



DWG #: 0002059
DRAWN:BCM 11/29/2010
SHEET #2
File: 0002059.idw

ALL DIMENSIONS IN INCHES			
THE INFORMATION CONTAINED IN THIS DRAWING IS THE SOLE PROPERTY OF CROWN INDUSTRIAL. ANY REPRODUCTION IN PART OR AS A WHOLE WITHOUT THE WRITTEN PERMISSION OF CROWN INDUSTRIAL IS PROHIBITED.	ID #:	STOCK PART #:	
	0000915	5x189	
DESCRIPTION:		MATERIAL:	
Overhead Wedge Type Joint Bracket			
FINISH:	# PCS:	REV:	
Powder Coat	1		

CROWN INDUSTRIAL
So. San Francisco, Ca
(650) 952-5150
www.crown-industrial.com

4

3

2

1