

4

3

2

1

D

D

C

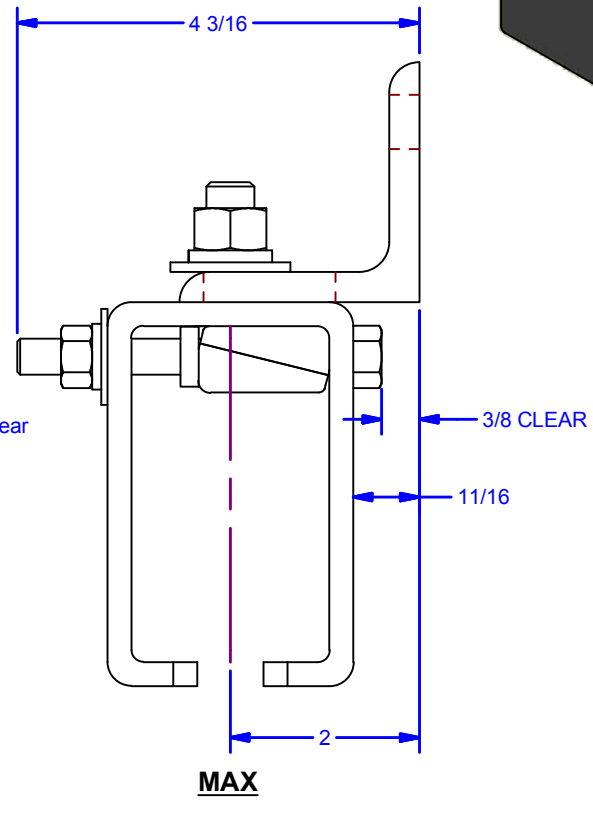
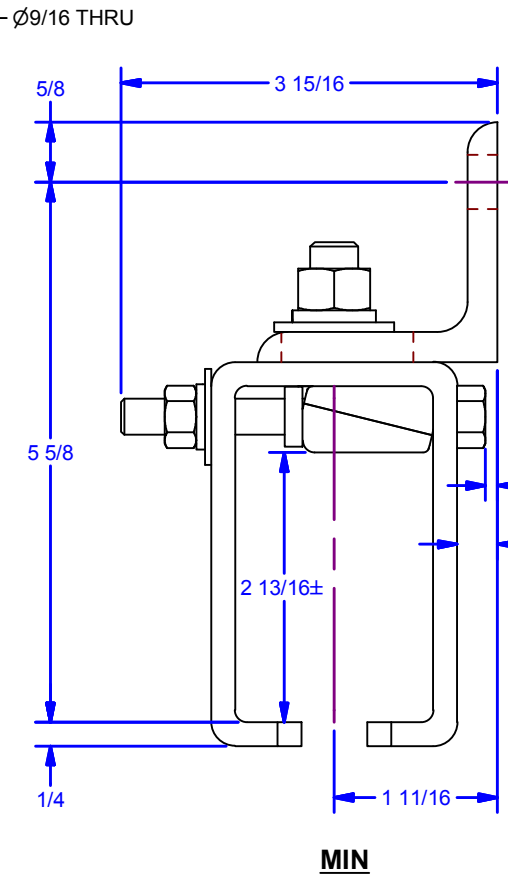
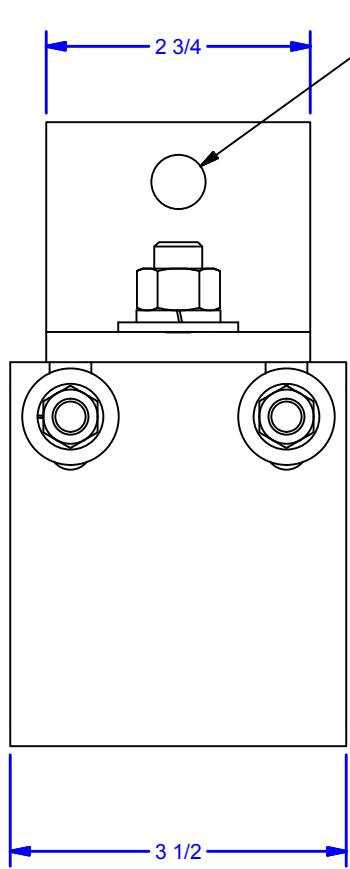
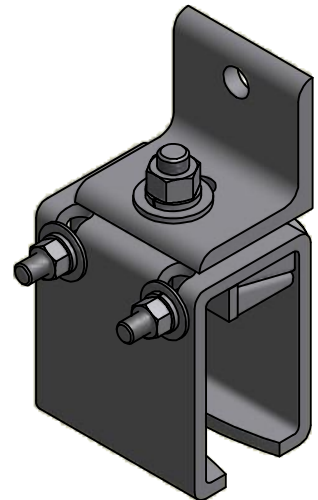
C

B

B

A

A



**MIN**

**MAX**

**ALL DIMENSIONS IN INCHES**

THE INFORMATION CONTAINED IN THIS DRAWING IS THE SOLE PROPERTY OF CROWN INDUSTRIAL. ANY REPRODUCTION IN PART OR AS A WHOLE WITHOUT THE WRITTEN PERMISSION OF CROWN INDUSTRIAL IS PROHIBITED.

ID #: 0000919  
MATERIAL:

STOCK PART #: 5x39

DESCRIPTION:  
Sidewall Wedge Type Joint Bracket

FINISH: Powder Coat

# PCS:	1
REV:	

DWG #: 0002059  
DRAWN:BCM 11/29/2010  
SHEET #3  
File: 0002059.idw

**CROWN INDUSTRIAL**  
So. San Francisco, Ca  
(650) 952-5150  
www.crown-industrial.com