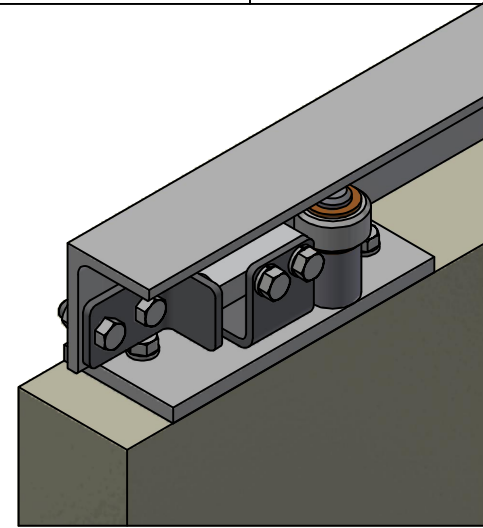
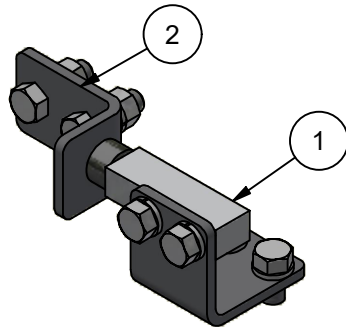
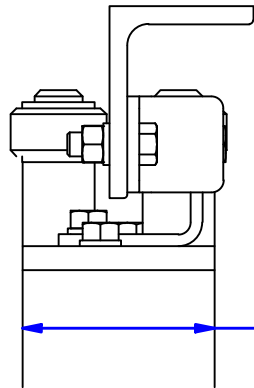


Parts List				
ITEM	QTY	PART #	DESCRIPTION	STOCK #
1	1	0003220	60SA Angle Top Guide Mount Stop, Ptd.	
2	2	0003224	60SA Angle Guide Track Stop, Ptd.	
3	2	0001088	Single Angle Top Guide Assy, 3" Thick Door (Left Hand)	60SA-LH



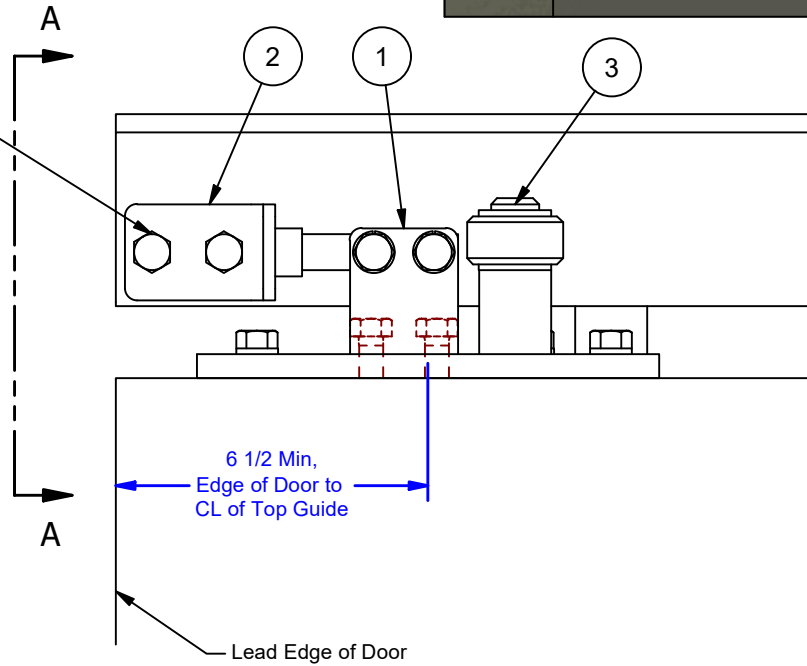
60SA-S Track Stop Assembly

Field Locate & Drill
Stop Location into Guide Angle



3" Min.
Door Thickness

VIEW A-A
SCALE 1/4



6 1/2 Min,
Edge of Door to
CL of Top Guide

Lead Edge of Door

ALL DIMENSIONS IN INCHES

THE INFORMATION CONTAINED IN THIS DRAWING IS THE SOLE PROPERTY OF CROWN INDUSTRIAL. ANY REPRODUCTION IN PART OR AS A WHOLE WITHOUT THE WRITTEN PERMISSION OF CROWN INDUSTRIAL IS PROHIBITED.

DESCRIPTION:

60SA Track Stop Assembly

FINISH:

PART #: 0003221

MATERIAL:

STOCK #: 60SA-S

PCS | REV:

DWG #: 60SA
DRAWN:BCM 5/25/2023
SHEET #2
File: 0001088.idw



CROWN INDUSTRIAL

So. San Francisco, Ca
(650) 952-5150

www.crown-industrial.com