

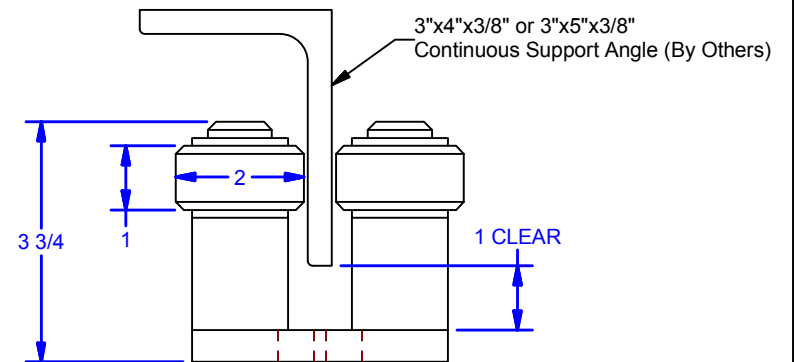
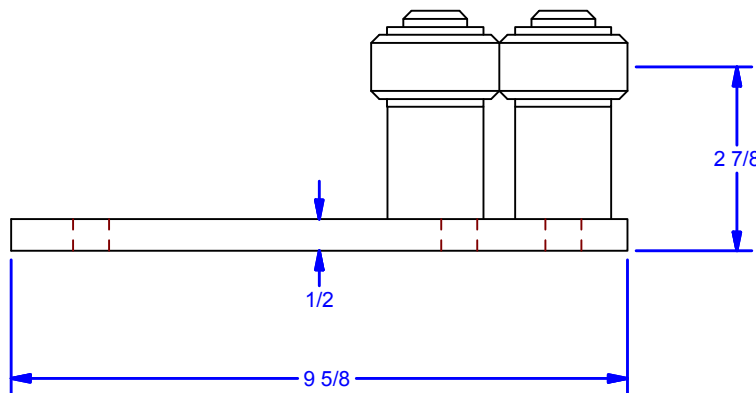
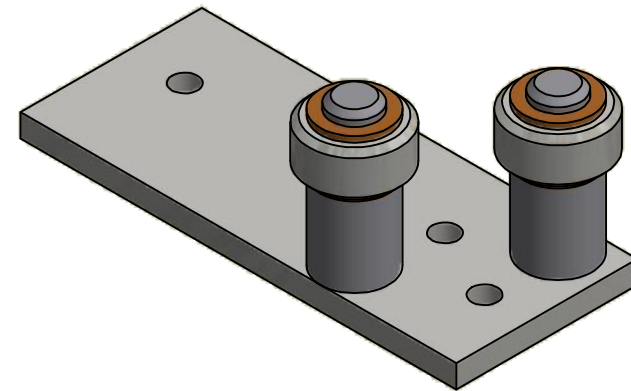
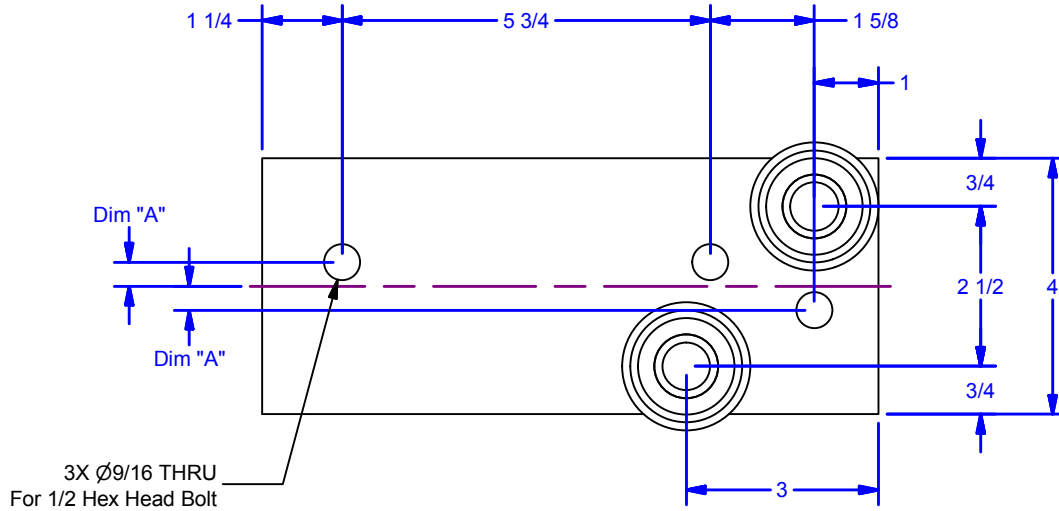
4

3

2

1

60SA	
Door Thickness	DimA
3"	3/8"
4"	3/4"
5"	1"
6"	1"



- **Indicate Handing Upon Ordering: Left Hand as Shown**  
(Each door requires a left and right hand guide for bolt hole locations)
- **Indicate Door Thickness Upon Ordering**

**ALL DIMENSIONS IN INCHES**

THE INFORMATION CONTAINED IN THIS DRAWING IS THE SOLE PROPERTY OF CROWN INDUSTRIAL. ANY REPRODUCTION IN PART OR AS A WHOLE WITHOUT THE WRITTEN PERMISSION OF CROWN INDUSTRIAL IS PROHIBITED.

PART #: 0001088	STOCK #: 60SA-LH
MATERIAL:	

DESCRIPTION:

Single Angle Top Guide Assy, 3" Thick Door (Left Hand)

FINISH:

Ptd. Black

# PCS: REV:

DWG #: 60SA  
DRAWN: BCM 7/12/2011  
SHEET #1  
File: 0001088.idw



**CROWN INDUSTRIAL**

So. San Francisco, Ca  
(650) 952-5150

www.crown-industrial.com

4

3

2

1

A

A

D

D

C

C

B

B