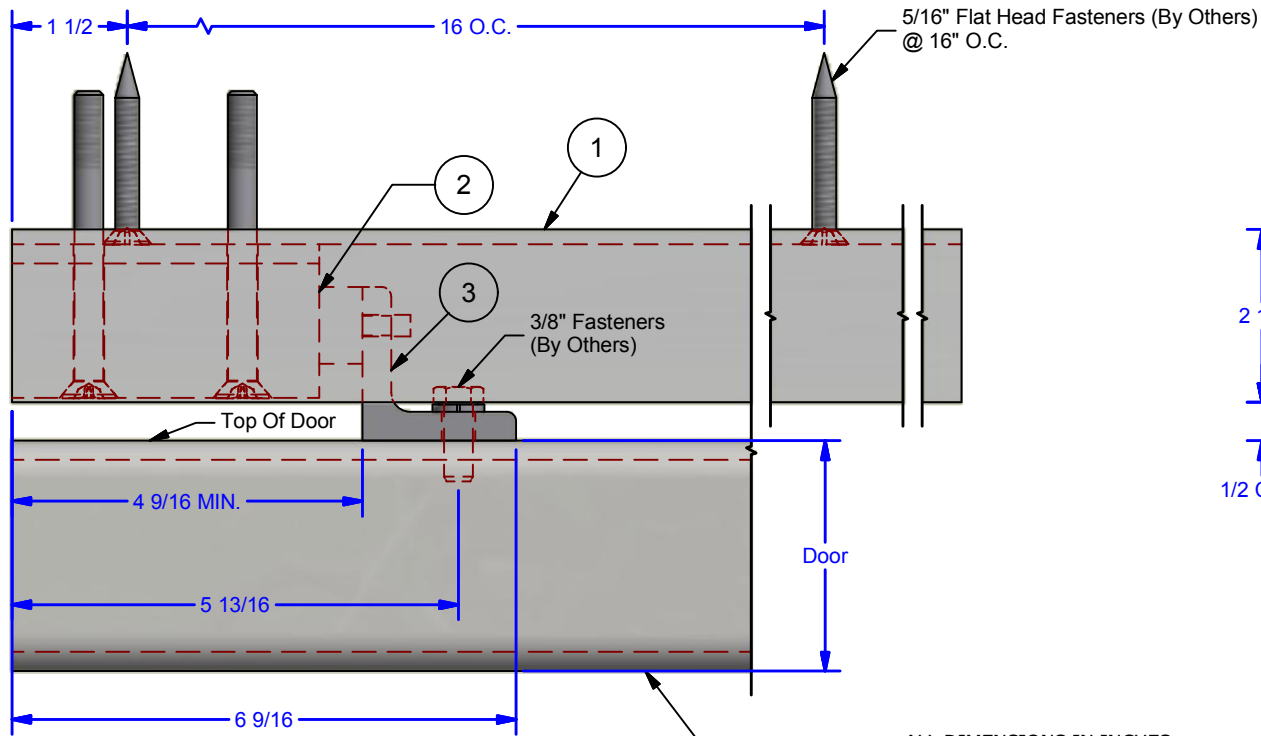
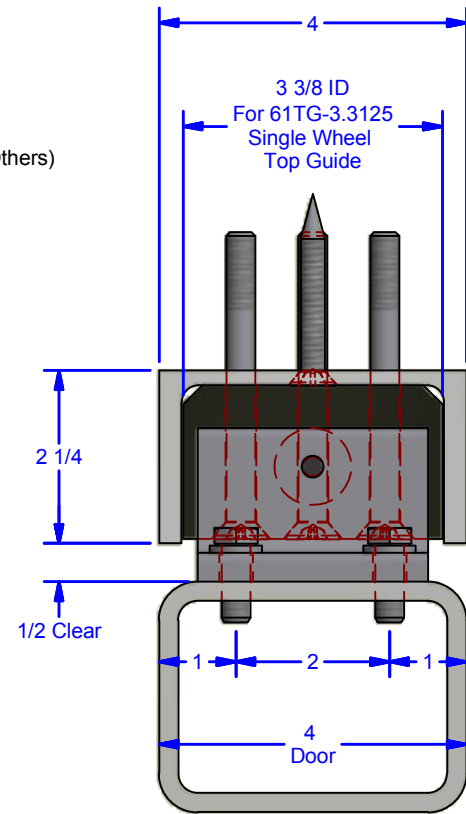


Top View
Top Channel Not Shown For Clarity

Parts List				
ITEM	QTY	PART #	DESCRIPTION	STOCK #
1	1	0002203	Top Guide Track [3-5/16 Dia. Roller]-Alum.	61TG-3.3125-T
2	1	0002202	UHMW Track Mounted Stop Block	61TG-3.3125-TS
3	1	0002205	Door Mounted Stop	61TG-3.3125-DS
4	1	0002204	Door (By Others)	
5	20	FHPSMS 5/16-12 x 2 1/2 Zinc	5/16" Flat Head Fastener (By Others)	
6	3	ANSI B18.6.3 - 3/8-16 x 4	#24 or 3/8" Flat Head Fastener (By Others)	



Elevation View



End View

ALL DIMENSIONS IN INCHES

THE INFORMATION CONTAINED IN THIS DRAWING IS THE SOLE PROPERTY OF CROWN INDUSTRIAL. ANY REPRODUCTION IN PART OR AS A WHOLE WITHOUT THE WRITTEN PERMISSION OF CROWN INDUSTRIAL IS PROHIBITED.

DESCRIPTION:

Top Guide Door Stop Assembly

FINISH:

ID #:

0002201

MATERIAL:

STOCK PART #:

61TG-3.3125-DS

PCS: REV:

1