

4

3

2

1

D

D

C

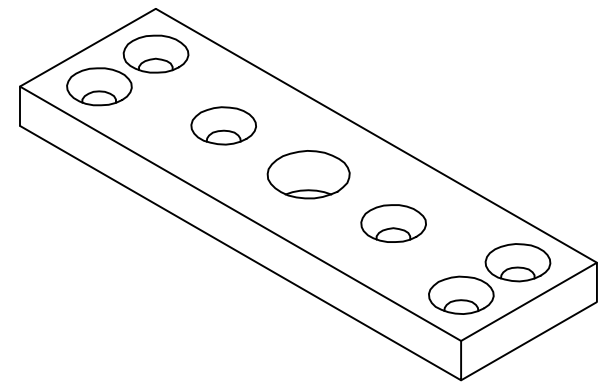
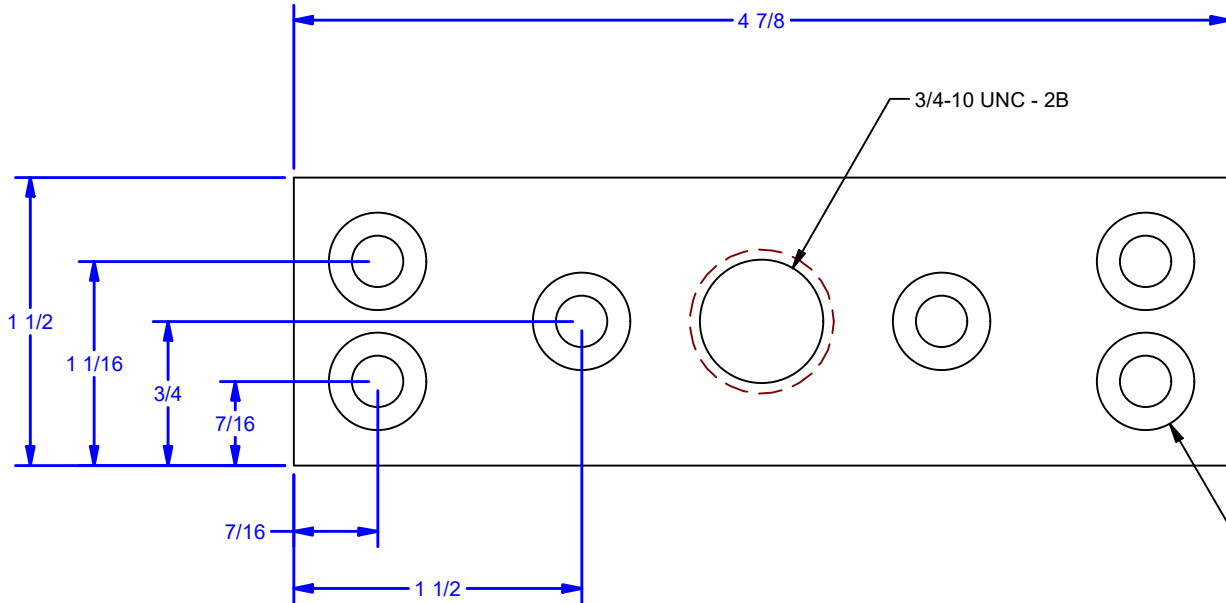
C

B

B

A

A



6X Ø Drill & Countersink Hole
For 1/4 Flat Head Wood Screw
(#14 x 2" Flat Head Phillips Sheet Metal Screws Included)



1-3/4" Minimum Door Thickness

Available Finishes:

- 6PTP - Powder Coat Pebble Tan**
- 6PTPB - Powder Coat Black**
- 6ZTP - Clear Zinc**
- 6STP - 304 Stainless Steel for 6-1R or 6-1B Truck Only.**
- 4STP - 304 Stainless Steel for 6S-1B Stainless Steel Truck Only w. 1/2"-13 Pendant**

DWG #: 0001674
DRAWN:BCM 6/17/2014
SHEET #2
File: 0001674.idw

ALL DIMENSIONS IN INCHES

THE INFORMATION CONTAINED IN THIS DRAWING IS THE SOLE PROPERTY OF CROWN INDUSTRIAL. ANY REPRODUCTION IN PART OR AS A WHOLE WITHOUT THE WRITTEN PERMISSION OF CROWN INDUSTRIAL IS PROHIBITED.	PART #:	0001674	STOCK #:	6TP
	MATERIAL:	Steel, Mild		
DESCRIPTION: Top Plate, for 1-3/4" Min. Thick Door				
FINISH:		# PCS:		REV:



CROWN INDUSTRIAL
So. San Francisco, Ca
(650) 952-5150
www.crown-industrial.com

4

3

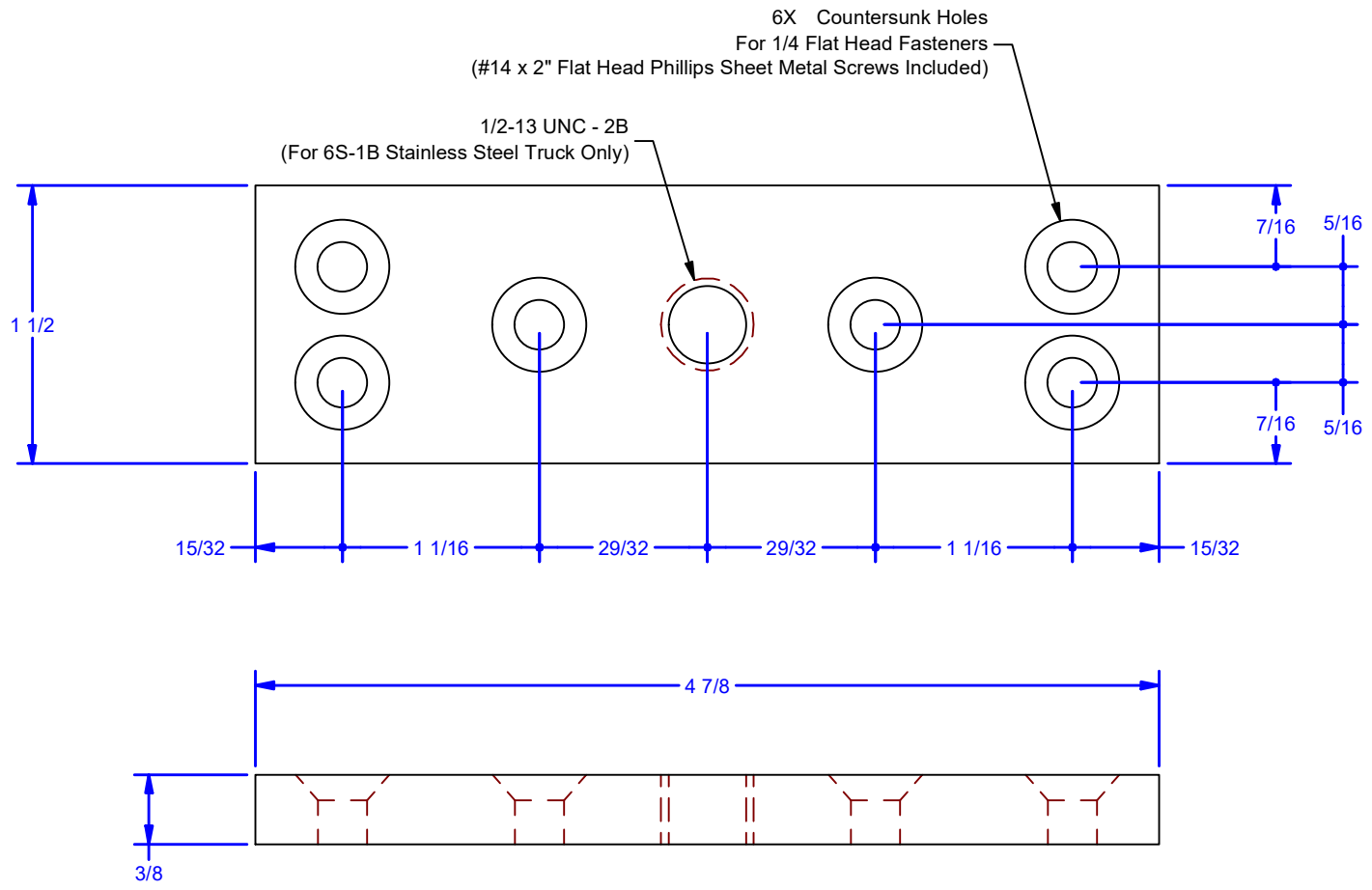
2

1



4 3 2 1

D
C
B
A



Use with #6S-1B Stainless Steel Truck only, 1/2"-13 Pendant Bolt

DWG #: 0001674
 DRAWN:BCM 1/18/2007
 SHEET #3
 File: 0001674.idw

ALL DIMENSIONS IN INCHES

THE INFORMATION CONTAINED IN THIS DRAWING IS THE SOLE PROPERTY OF CROWN INDUSTRIAL. ANY REPRODUCTION IN PART OR AS A WHOLE WITHOUT THE WRITTEN PERMISSION OF CROWN INDUSTRIAL IS PROHIBITED.	PART #:	STOCK #:
	0000294	4STP
DESCRIPTION: #4 Top Plate Mounting	MATERIAL:	
	304 Stainless Steel	
FINISH:	# PCS:	REV:
2B Mill Finish	1	



CROWN INDUSTRIAL
 So. San Francisco, Ca
 (650) 952-5150
 www.crown-industrial.com

4 3 2 1