

4

3

2

1

D

D

C

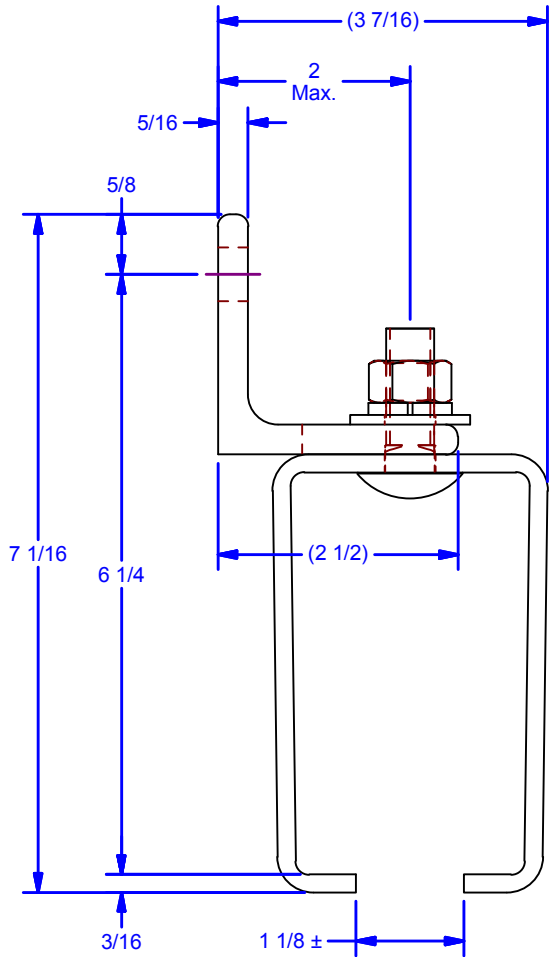
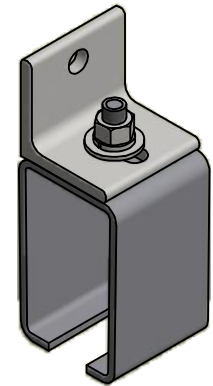
C

B

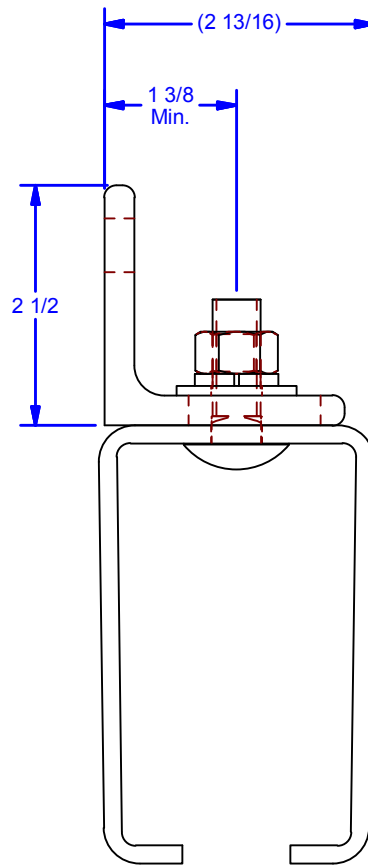
B

A

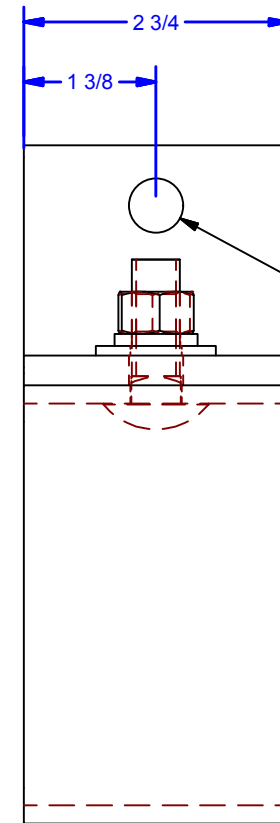
A



**End View: Maximum**



**End View: Minimum**



**Elevation View**

Ø9/16 THRU  
For 1/2 Fastener  
(By Others)

**Note:**  
24" On Center Maximum Bracket Spacing

**Avail. Finishes:**  
 6Px1B: Powder Coat Black  
 6Px1: Powder Coat Pebble Tan  
 6Gx1: Galvanized  
 6Sx1: 304 Stainless Steel - #2B Mill Finish  
 6Sx1-S: 304 Stainless Steel - #4 Brushed Finish

DWG #: 0002250  
 DRAWN: BCM 6/26/2007  
 SHEET #1  
 File: 0002250.idw

**ALL DIMENSIONS IN INCHES**

THE INFORMATION CONTAINED IN THIS DRAWING IS THE SOLE PROPERTY OF CROWN INDUSTRIAL. ANY REPRODUCTION IN PART OR AS A WHOLE WITHOUT THE WRITTEN PERMISSION OF CROWN INDUSTRIAL IS PROHIBITED.

DESCRIPTION:  
Sidewall Center Bracket

FINISH:

ID #: 0000680

MATERIAL:

STOCK PART #: 6x1

# PCS: REV:



**CROWN INDUSTRIAL**

So. San Francisco, Ca  
 (650) 952-5150

www.crown-industrial.com

4

3

2

1

