

4

3

2

1

D

D

C

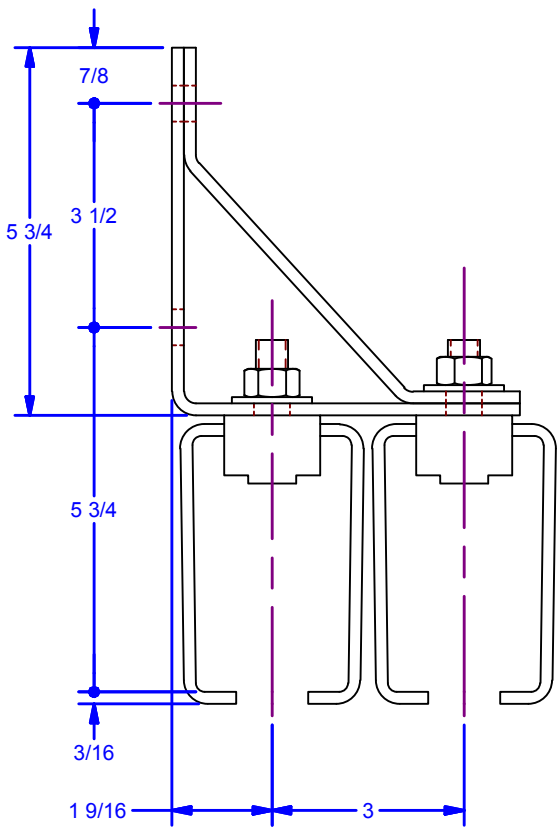
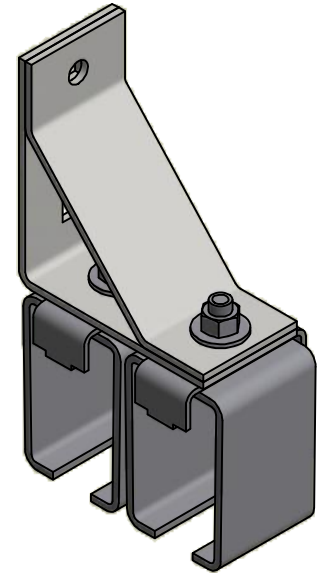
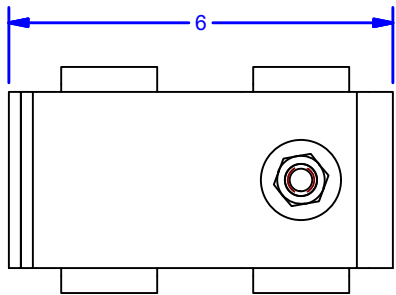
C

B

B

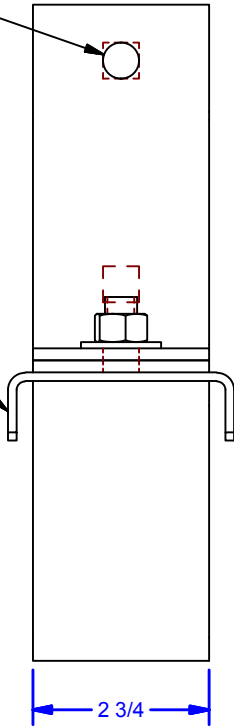
A

A



2X $\varnothing 9/16$ THRU
For 1/2 Fasteners (By Others)

Joint Bracket Clip



Note:
For Joining Two Sections of Track Together.

ALL DIMENSIONS IN INCHES

THE INFORMATION CONTAINED IN THIS DRAWING IS THE SOLE PROPERTY OF CROWN INDUSTRIAL. ANY REPRODUCTION IN PART OR AS A WHOLE WITHOUT THE WRITTEN PERMISSION OF CROWN INDUSTRIAL IS PROHIBITED.	ID #:	0001817	STOCK PART #:	6X229
	MATERIAL:			
DESCRIPTION: Double Joint Bracket				
FINISH:			# PCS:	REV:



CROWN INDUSTRIAL
So. San Francisco, Ca
(650) 952-5150
www.crown-industrial.com

DWG #: 0000284
DRAWN:BCM 11/17/2008
SHEET #3
File: 0000284.idw

4

3

2

1