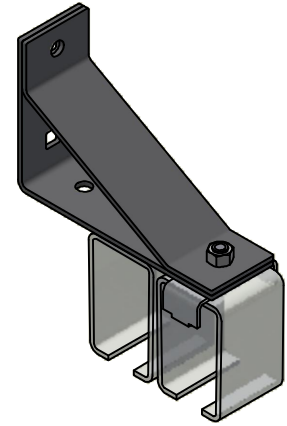
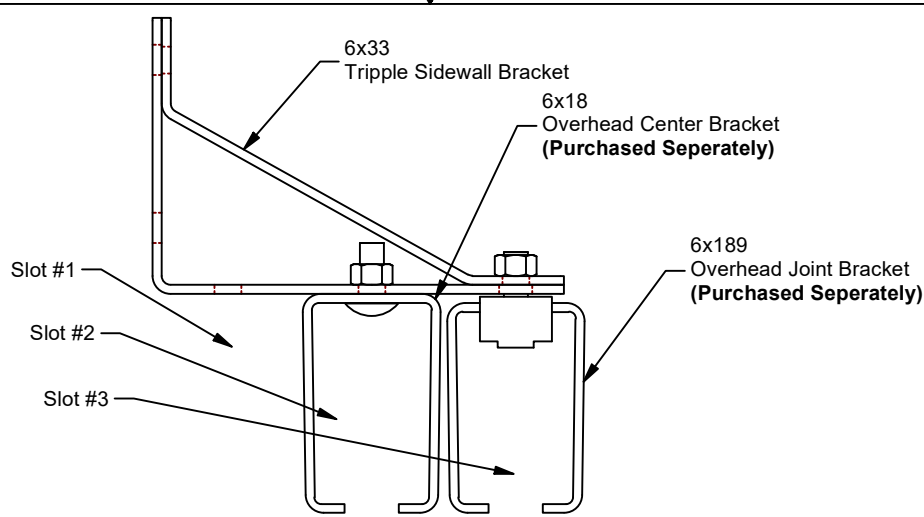
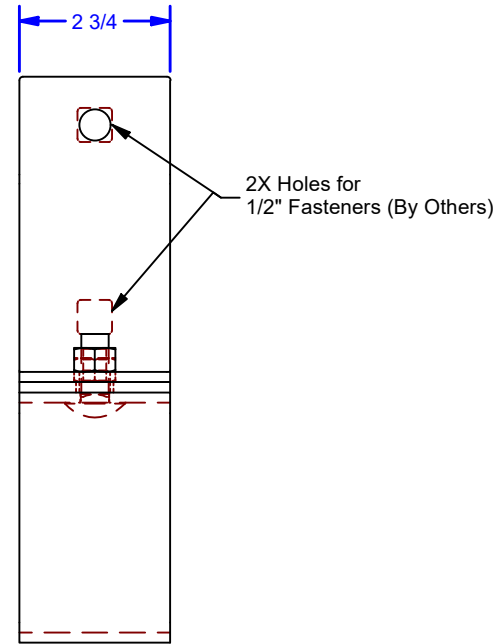
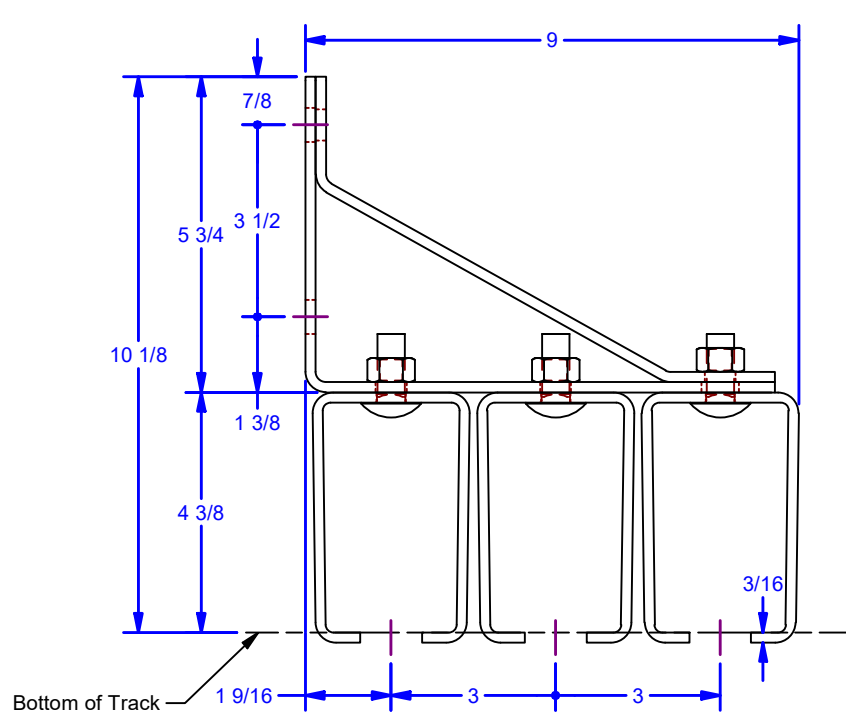


Bracket Configuration Examples			
Bracket Configuration Code	Slot 1 (Wall Side)	Slot 2	Slot 3
6x33xCCC	C	C	C
6x33x0CC	0	C	C
6x33x0CJ	0	C	J
6x33xCCJ	C	C	J

**Legend:**  
 0=Empty Slot  
 C=Overhead Center Bracket  
 J=Overhead Joint Bracket



**6x33x0CJ Configuration**  
**Slot 1: No Bracket, Slot 2: Overhead Center Bracket, Slot 3: Overhead Joint Bracket**



- Note:
- Maximum Bracket Spacing is 24" on center.
  - 6x18 Overhead Center and 6x189 Overhead Joint Brackets **Sold Separately**
  - **Spacing between brackets can be customized**

DWG #: 6x33  
 DRAWN:BCM 9/17/2012  
 SHEET #1  
 File: 0001316.idw

**ALL DIMENSIONS IN INCHES**

THE INFORMATION CONTAINED IN THIS DRAWING IS THE SOLE PROPERTY OF CROWN INDUSTRIAL. ANY REPRODUCTION IN PART OR AS A WHOLE WITHOUT THE WRITTEN PERMISSION OF CROWN INDUSTRIAL IS PROHIBITED.	ID #: 0001316-02	STOCK PART #: 6x33xCCC
DESCRIPTION: Triple Center Bracket w. Overhead Center Bracket	MATERIAL:	
FINISH:	# PCS:	REV:



**CROWN INDUSTRIAL**  
 So. San Francisco, Ca  
 (650) 952-5150  
 www.crown-industrial.com