

4

3

2

1

D

C

B

A

D

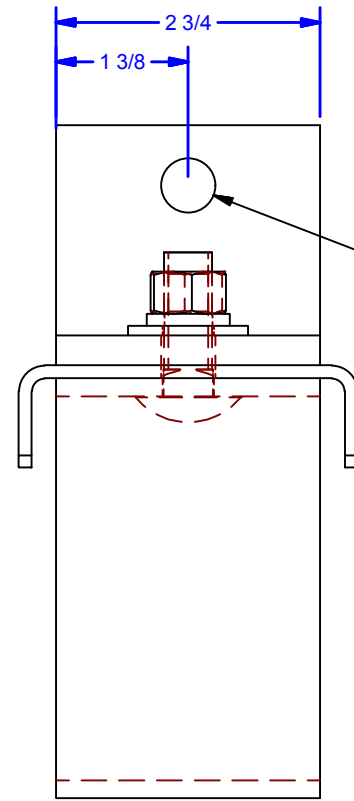
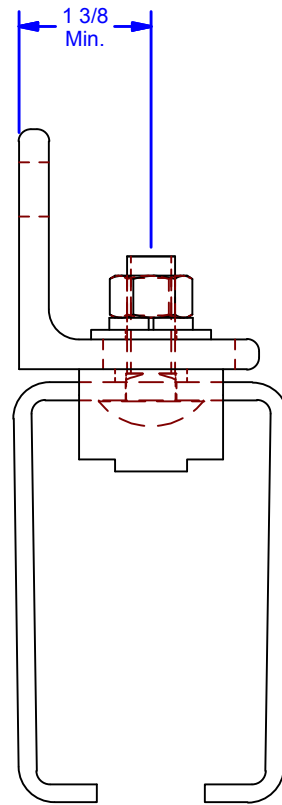
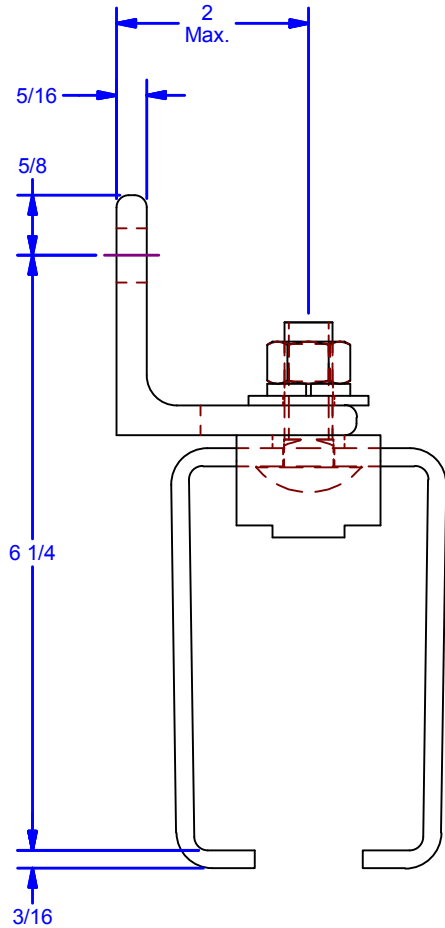
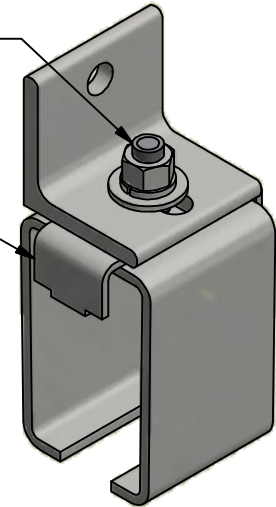
C

B

A

1/2"-13 x 1-1/2" CARRIAGE BOLT \*fully threaded

#0001396  
#6 Joint Bracket Clip  
\*Used to join two tracks together.  
Slide tracks into bracket,  
drop bent ends of clip into holes  
that exist in the tops of each track.



**Note:**  
24" On Center Maximum Bracket Spacing

**Avail. Finishes:**  
6Px39B: Powder Coat Black  
6Px39: Powder Coat Pebble Tan  
6Gx39: Galvanized  
6Sx39: 304 Stainless Steel - #2B Mill Finish  
6Sx39-S: 304 Stainless Steel - #4 Brushed Finish

DWG #: 0002250  
DRAWN:BCM 6/26/2007  
SHEET #2  
File: 0002250.idw

**ALL DIMENSIONS IN INCHES**

|  |                  |                       |
|--|------------------|-----------------------|
| THE INFORMATION CONTAINED IN THIS DRAWING IS THE SOLE PROPERTY OF CROWN INDUSTRIAL. ANY REPRODUCTION IN PART OR AS A WHOLE WITHOUT THE WRITTEN PERMISSION OF CROWN INDUSTRIAL IS PROHIBITED. | ID #:<br>0001820 | STOCK PART #:<br>6x39 |
| DESCRIPTION:<br>Sidewall Joint Bracket   | MATERIAL:        |                       |
| FINISH:  | # PCS:           | REV:                  |



**CROWN INDUSTRIAL**  
So. San Francisco, Ca  
(650) 952-5150  
www.crown-industrial.com

4

3

2

1

