

4

3

2

1

D

D

C

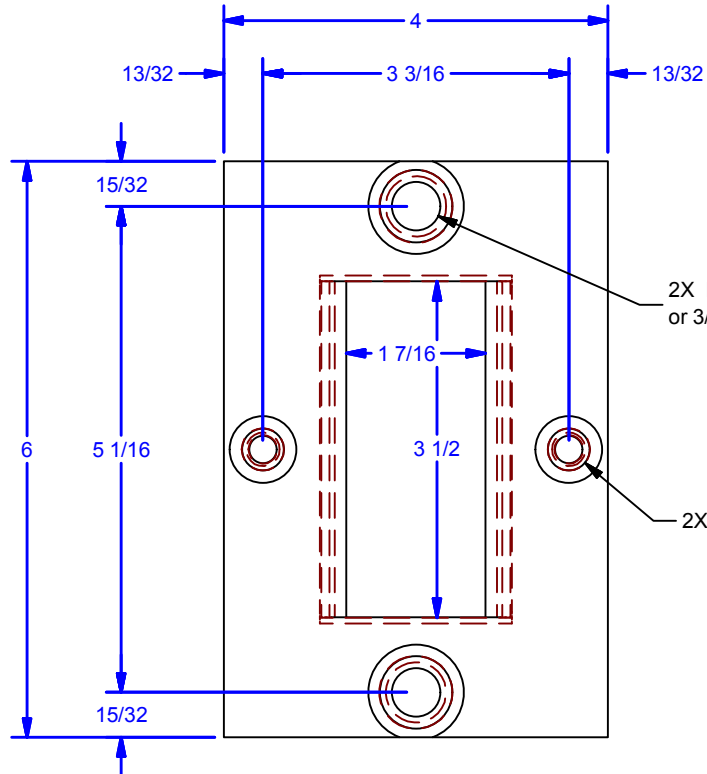
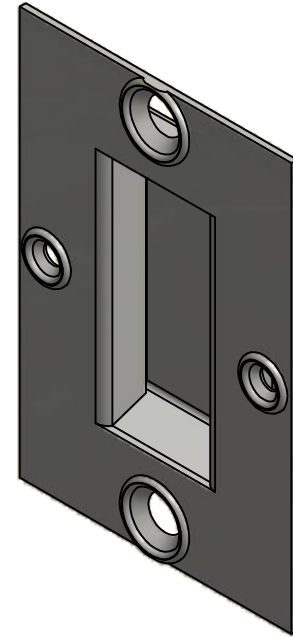
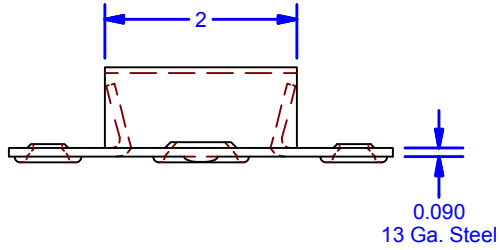
C

B

B

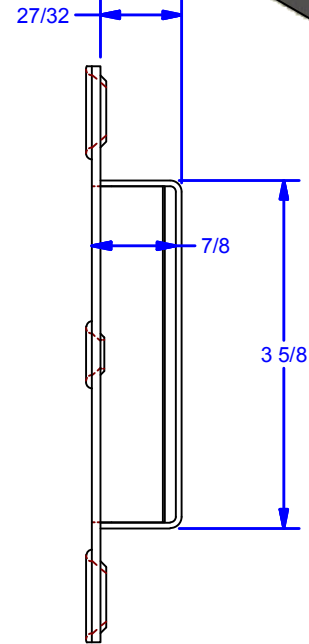
A

A



2X Embossed Holes for #24 F.H. Screws  
or 3/8 Flat Head Machine Screw (82)

2X Embossed Holes for #12 F.H. Screws



**Fasteners Included:**  
 (2 ea.) #24 x 1-1/2" Flat Head Wood Screw, zinc  
 (2 ea.) #12 x 1-1/4" Flat Head Wood Screw, zinc

**Available Finishes:**  
 0070.00005: Powder Coat Pebble Tan  
 0070.00005SC: Powder Coat Black  
 0070.00005ZC: Clear Zinc Plated

DWG #: 0001659  
 DRAWN:BCM 5/9/2014  
 SHEET #1  
 File: 0001659.idw

**ALL DIMENSIONS IN INCHES**

THE INFORMATION CONTAINED IN THIS DRAWING IS THE SOLE PROPERTY OF CROWN INDUSTRIAL. ANY REPRODUCTION IN PART OR AS A WHOLE WITHOUT THE WRITTEN PERMISSION OF CROWN INDUSTRIAL IS PROHIBITED.	ID #:	STOCK PART #:
	0001651	0070.00005
DESCRIPTION:	MATERIAL:	
70P5 Flush Pull	Steel, Mild	
FINISH:	# PCS:	REV:



**CROWN INDUSTRIAL**  
 So. San Francisco, Ca  
 (650) 952-5150  
 www.crown-industrial.com

4

3

2

1

