

- Available Finishes:**
- 0082.00002: Powder Coat Pebble Tan
  - 0082.00002SC: Powder Coat Black
  - 0082.00002ZC: Clear Zinc Plated
  - 0082.00002SS: 304 Stainless Steel w/ 2B Mill Finish
  - 0082.00002S-US32D: 304 Stainless Steel w/ #4 Brushed Finish

DWG #: 0001897  
 DRAWN:BCM 2/20/2015  
 SHEET #1  
 File: 0001897.idw

**ALL DIMENSIONS IN INCHES**

THE INFORMATION CONTAINED IN THIS DRAWING IS THE SOLE PROPERTY OF CROWN INDUSTRIAL. ANY REPRODUCTION IN PART OR AS A WHOLE WITHOUT THE WRITTEN PERMISSION OF CROWN INDUSTRIAL IS PROHIBITED.	ID #:	0000705	STOCK PART #:	0082.00002
	MATERIAL:	Steel, Mild		
DESCRIPTION: Wall Binder, 1-3/4" Thick Door				
FINISH:	# PCS:	REV:		



**CROWN INDUSTRIAL**  
 So. San Francisco, Ca  
 (650) 952-5150  
 www.crown-industrial.com

4

3

2

1

D

D

C

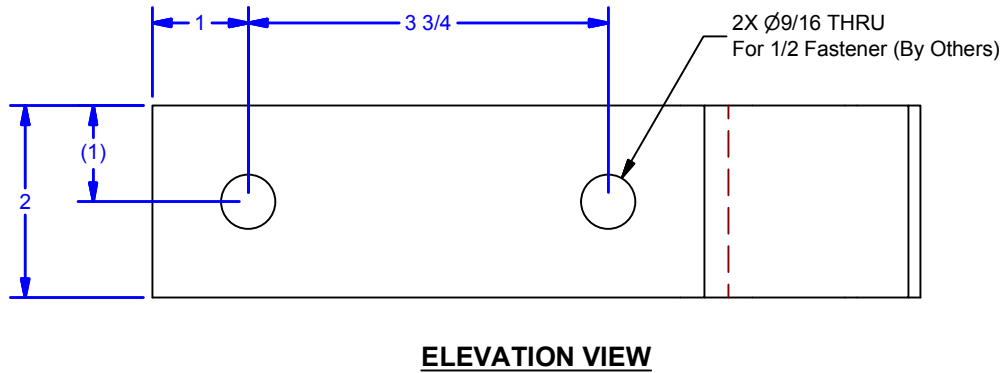
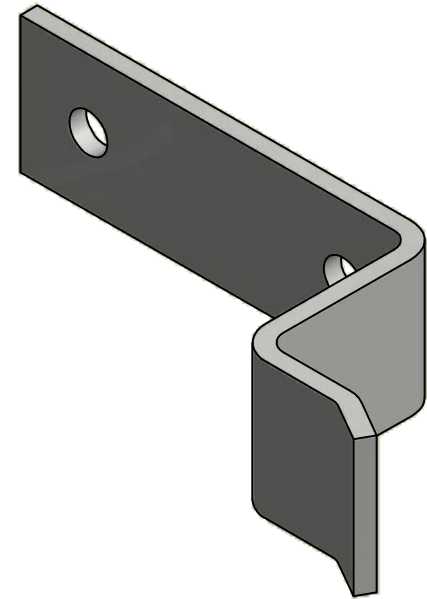
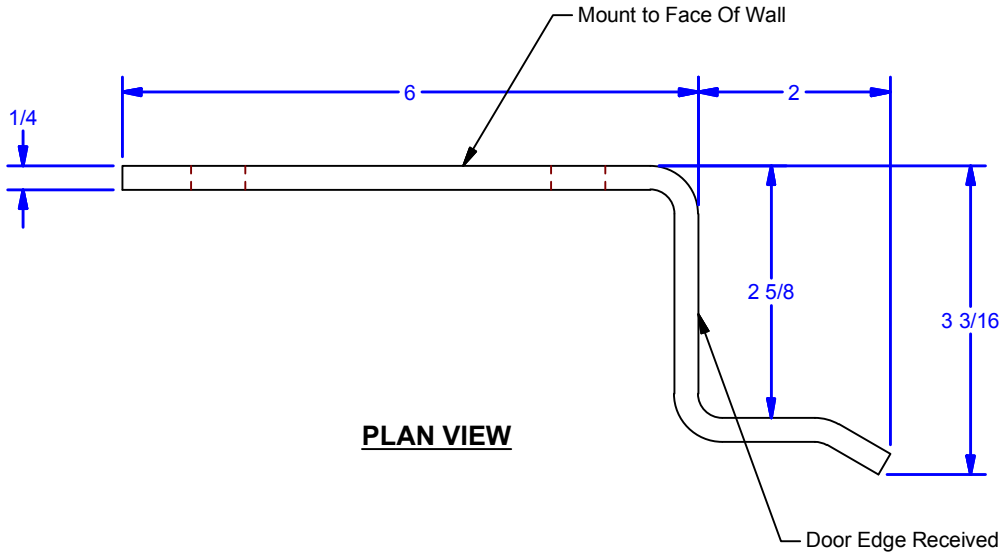
C

B

B

A

A



- Available Finishes:**
- 0082.00005: Powder Coat Pebble Tan
  - 0082.00005SC: Powder Coat Black
  - 0082.00005ZC: Clear Zinc Plated
  - 0082.00005SS: 304 Stainless Steel w/ 2B Mill Finish
  - 0082.00005S-US32D: 304 Stainless Steel w/ #4 Brushed Finish

DWG #: 0001897  
 DRAWN:BCM 2/20/2015  
 SHEET #2  
 File: 0001897.idw

**ALL DIMENSIONS IN INCHES**

THE INFORMATION CONTAINED IN THIS DRAWING IS THE SOLE PROPERTY OF CROWN INDUSTRIAL. ANY REPRODUCTION IN PART OR AS A WHOLE WITHOUT THE WRITTEN PERMISSION OF CROWN INDUSTRIAL IS PROHIBITED.	ID #:	0001898	STOCK PART #:	0082.00005
	MATERIAL:	Steel, Mild		
DESCRIPTION: Wall Binder, 2-1/2" Thick Door				
FINISH:		# PCS:	REV:	



**CROWN INDUSTRIAL**  
 So. San Francisco, Ca  
 (650) 952-5150  
 www.crown-industrial.com

4

3

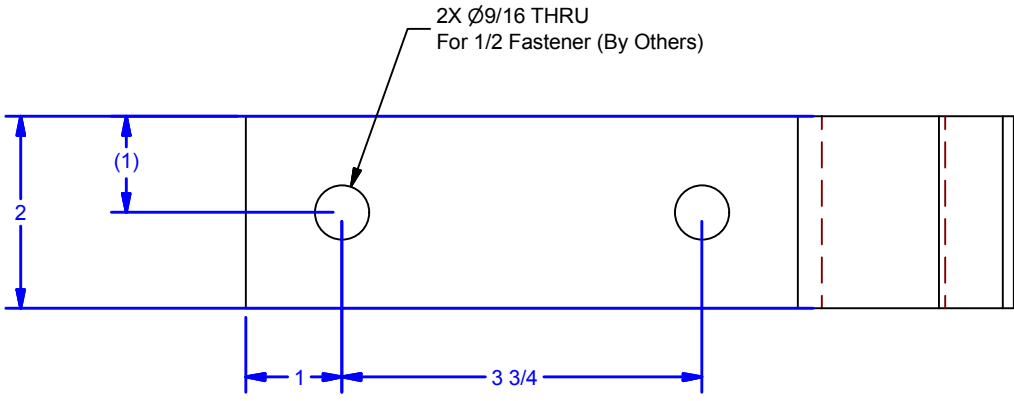
2

1

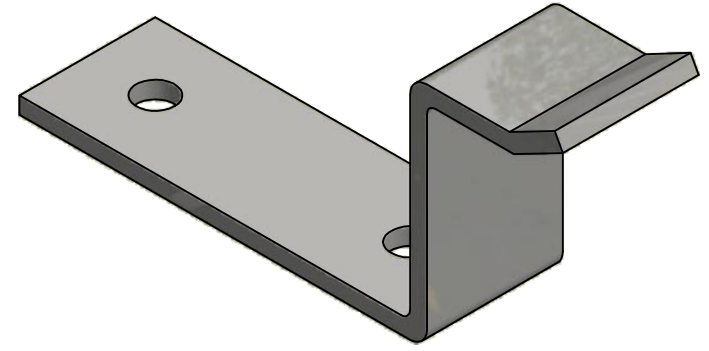
A

4 3 2 1

D



**ELEVATION VIEW**

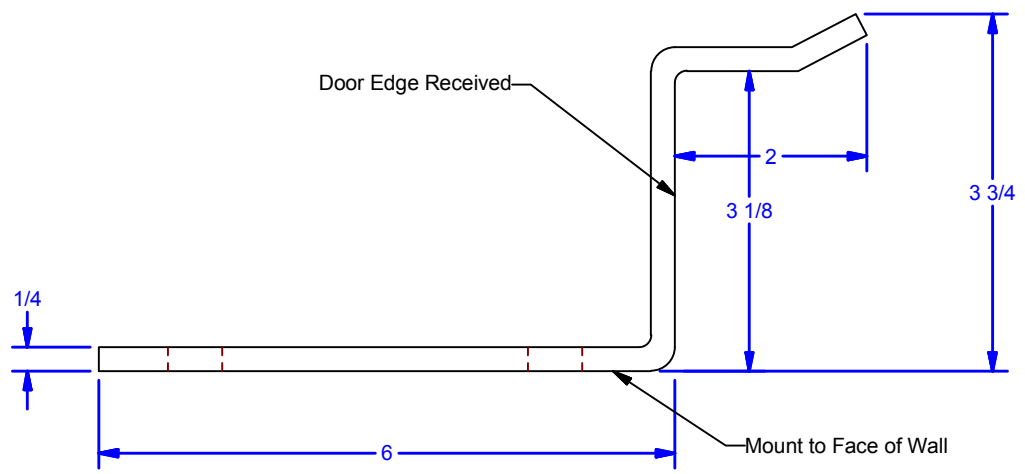


D

C

C

B



**PLAN VIEW**

B

B

B

A

A

- Available Finishes:**  
 0082.00007: Powder Coat Pebble Tan  
 0082.00007SC: Powder Coat Black  
 0082.00007ZC: Clear Zinc Plated  
 0082.00007SS: 304 Stainless Steel w/ 2B Mill Finish  
 0082.00007S-US32D: 304 Stainless Steel w/ #4 Brushed Finish

DWG #: 0001897  
 DRAWN:BCM 2/6/2007  
 SHEET #3  
 File: 0001897.idw

**ALL DIMENSIONS IN INCHES**

THE INFORMATION CONTAINED IN THIS DRAWING IS THE SOLE PROPERTY OF CROWN INDUSTRIAL. ANY REPRODUCTION IN PART OR AS A WHOLE WITHOUT THE WRITTEN PERMISSION OF CROWN INDUSTRIAL IS PROHIBITED.	ID #:	0000531	STOCK PART #:	0082.00007
	MATERIAL:	Steel		
DESCRIPTION: Wall Binder, 3" Thick Door				
FINISH:			# PCS:	1
			REV:	



**CROWN INDUSTRIAL**  
 So. San Francisco, Ca  
 (650) 952-5150  
[www.crown-industrial.com](http://www.crown-industrial.com)

4 3 2 1