

4

3

2

1

D

D

C

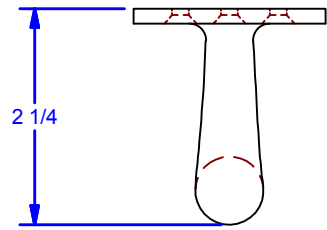
C

B

B

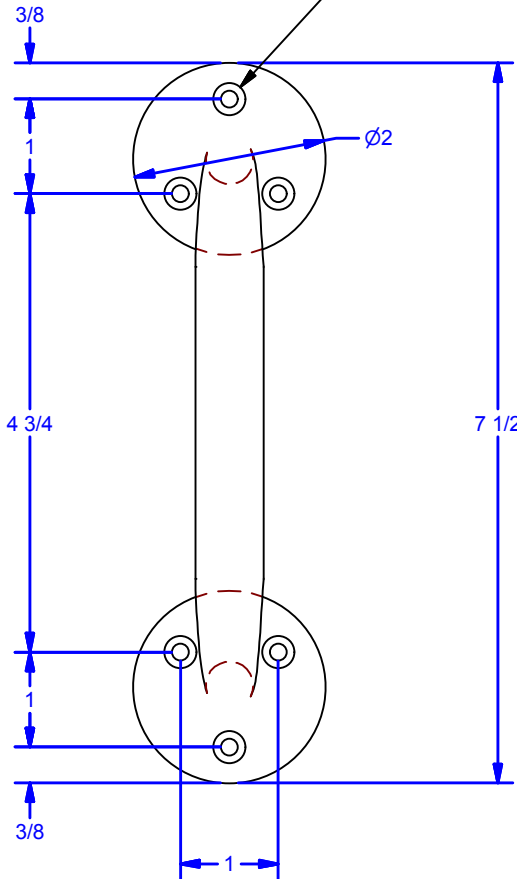
A

A



2 1/4

6X  $\emptyset$  Countersunk Holes  
 For #8 Flat Head Machine Screw (82)  
 Includes (6 ea.) #8 x 1" Oval Phillips Head Sheet Metal Screw,  
 Type 316 Stainless Steel



3/8

1

4 3/4

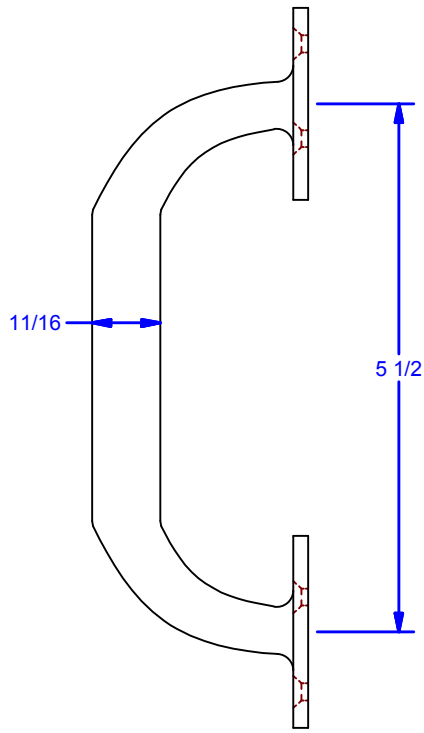
7 1/2

1

3/8

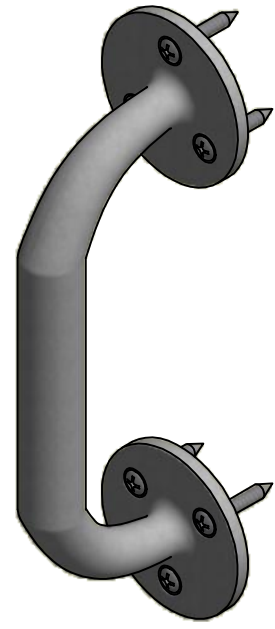
1

$\emptyset 2$



11/16

5 1/2



ALL DIMENSIONS IN INCHES

THE INFORMATION CONTAINED IN THIS DRAWING IS THE SOLE PROPERTY OF CROWN INDUSTRIAL. ANY REPRODUCTION IN PART OR AS A WHOLE WITHOUT THE WRITTEN PERMISSION OF CROWN INDUSTRIAL IS PROHIBITED.	ID #:	0000701	STOCK PART #:	0083.00002SS
	MATERIAL:	Stainless Steel, 304		
DESCRIPTION: 83 P2 Bow Handle, Stainless Steel (Ref. Only)				
FINISH:	US32D	# PCS:	1	REV:

DWG #: 0000701  
 DRAWN:BCM 10/26/2009  
 SHEET #1  
 File: 0000701.idw

**CROWN INDUSTRIAL**  
 So. San Francisco, Ca  
 (650) 952-5150  
 www.crown-industrial.com

4

3

2

1