

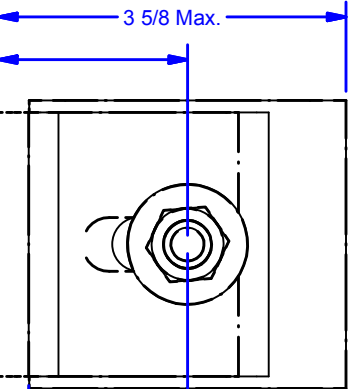
4

3

2

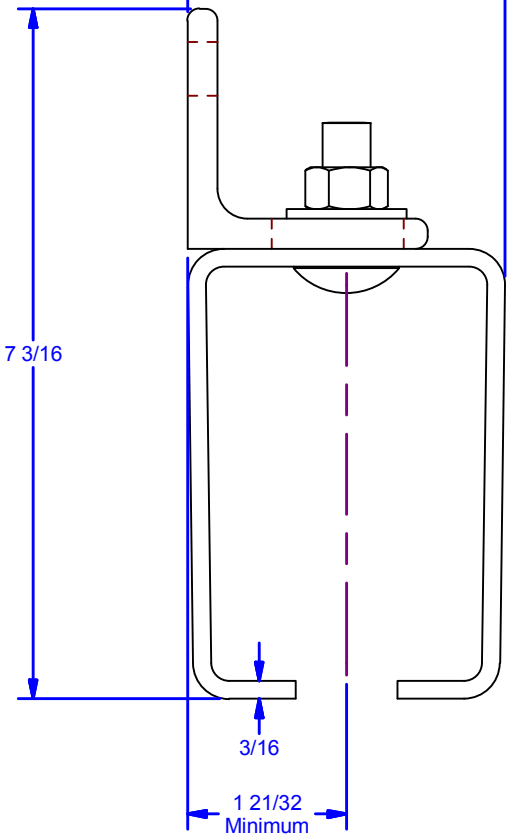
1

1 31/32 Maximum
*Bracket has slotted hole
for adjustability



1 21/32
Minimum

3 5/16 Min.



7 3/16

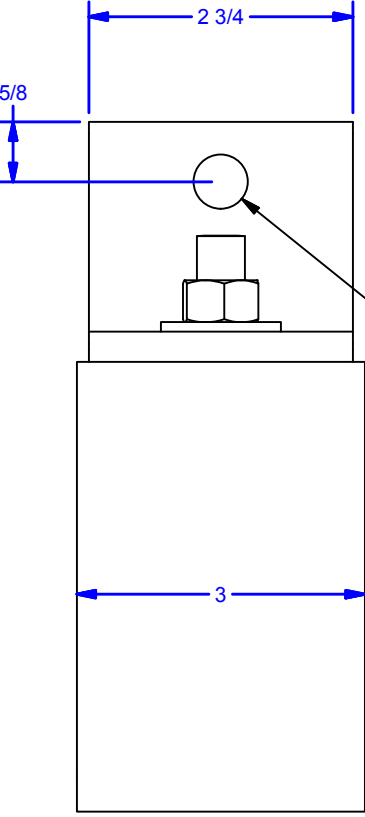
3/16

1 21/32
Minimum

Note:
24" On Center Maximum Bracket Spacing

Avail. Finishes:
8Px1B: Powder Coat Black
8Px1: Powder Coat Pebble Tan

DWG #: 0001838
DRAWN:BCM 6/26/2007
SHEET #3
File: 0001838.idw

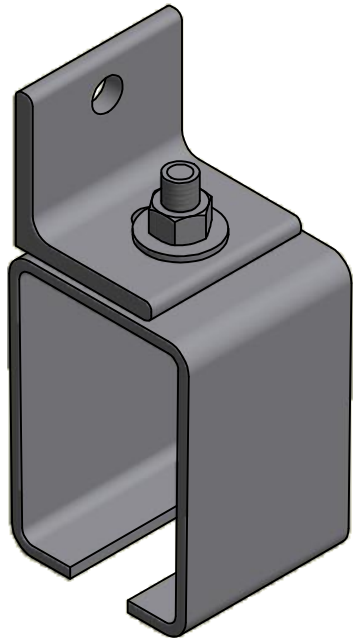


5/8

2 3/4

3

Ø9/16 THRU
For 1/2 Hex Head Bolt



ALL DIMENSIONS IN INCHES

| | | | | |
|--|-----------|---------|---------------|------|
| THE INFORMATION CONTAINED IN THIS DRAWING IS THE SOLE PROPERTY OF CROWN INDUSTRIAL. ANY REPRODUCTION IN PART OR AS A WHOLE WITHOUT THE WRITTEN PERMISSION OF CROWN INDUSTRIAL IS PROHIBITED. | ID #: | 0001839 | STOCK PART #: | 8x1 |
| | MATERIAL: | | | |
| DESCRIPTION: Sidewall Center Bracket | | | | |
| FINISH: | | # PCS: | | REV: |



CROWN INDUSTRIAL
So. San Francisco, Ca
(650) 952-5150
www.crown-industrial.com

4

3

2

1

