

4

3

2

1

D

D

C

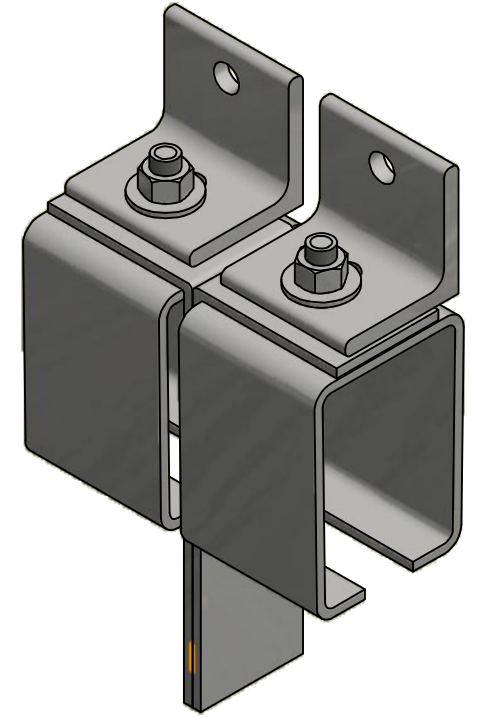
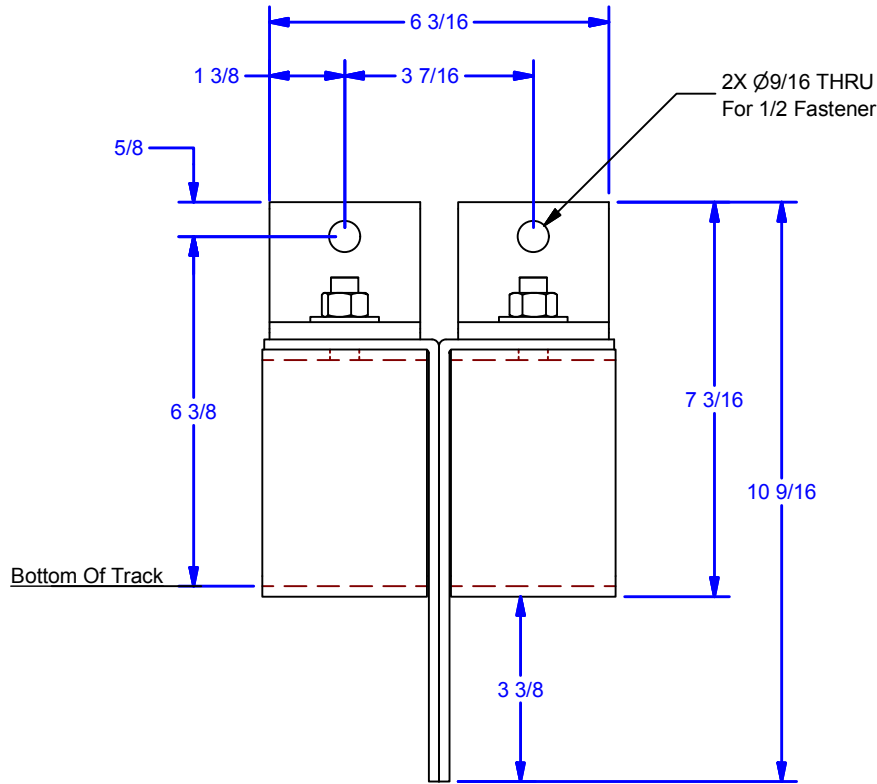
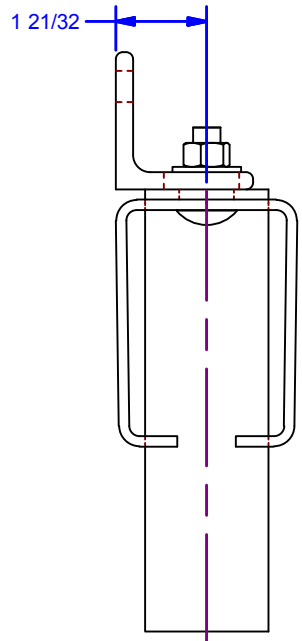
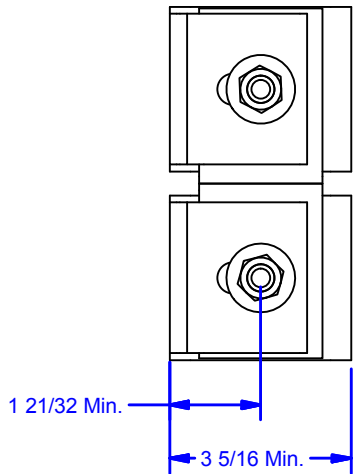
C

B

B

A

A



Note:
24" On Center Maximum Bracket Spacing

Avail. Finishes:
8Px12B: Powder Coat Black
8Px12: Powder Coat Pebble Tan

ALL DIMENSIONS IN INCHES

THE INFORMATION CONTAINED IN THIS DRAWING IS THE SOLE PROPERTY OF CROWN INDUSTRIAL. ANY REPRODUCTION IN PART OR AS A WHOLE WITHOUT THE WRITTEN PERMISSION OF CROWN INDUSTRIAL IS PROHIBITED.	ID #:	0001841	STOCK PART #:	8x12
	MATERIAL:			
DESCRIPTION: Center Stop Bracket				
FINISH:		# PCS:	REV:	



CROWN INDUSTRIAL
So. San Francisco, Ca
(650) 952-5150
www.crown-industrial.com

DWG #: 0001838
DRAWN: BCM 2/5/2015
SHEET #5
File: 0001838.idw

4

3

2

1

