

4

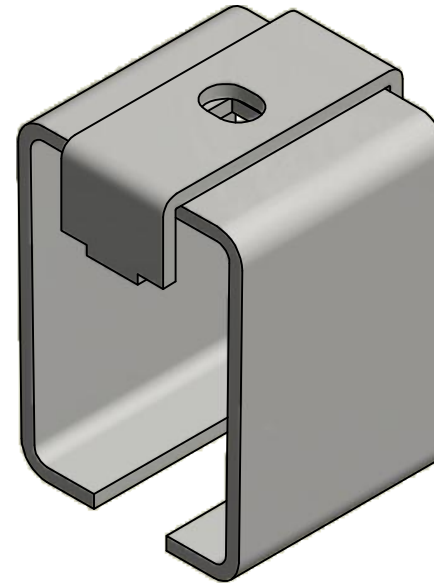
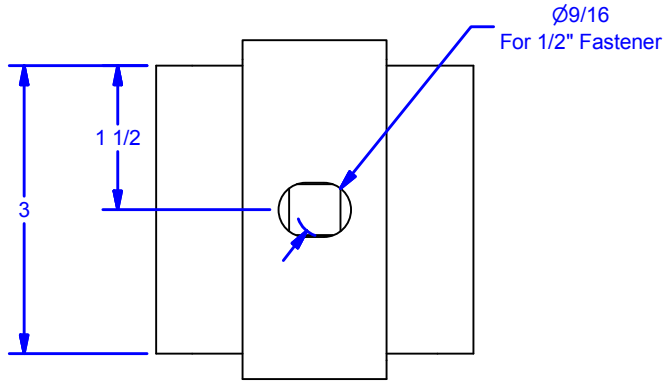
3

2

1

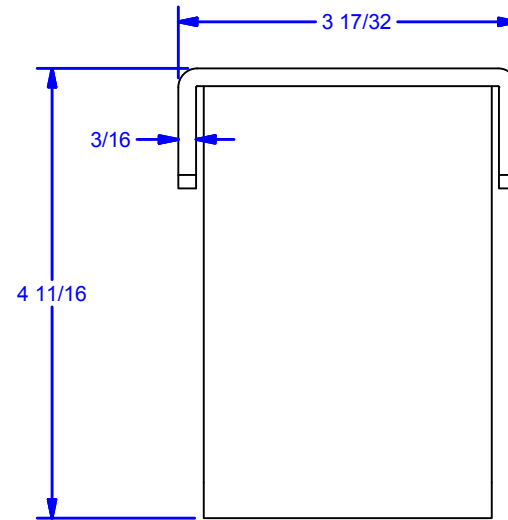
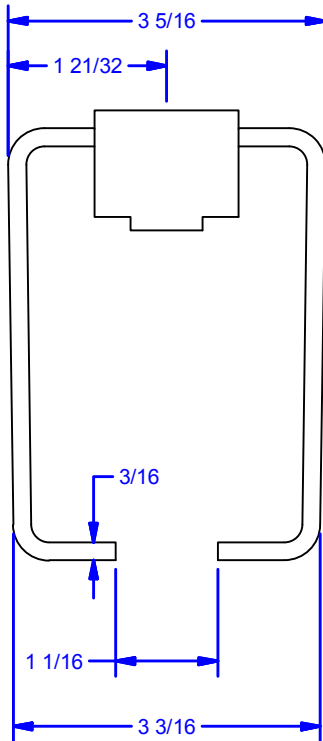
D

D



C

C



B

B

A

A

Note:
24" On Center Maximum Bracket Spacing

Avail. Finishes:
8Px189B: Powder Coat Black
8Px189: Powder Coat Pebble Tan

DWG #: 0001838
DRAWN:BCM 2/5/2015
SHEET #2
File: 0001838.idw

ALL DIMENSIONS IN INCHES

THE INFORMATION CONTAINED IN THIS DRAWING IS THE SOLE PROPERTY OF CROWN INDUSTRIAL. ANY REPRODUCTION IN PART OR AS A WHOLE WITHOUT THE WRITTEN PERMISSION OF CROWN INDUSTRIAL IS PROHIBITED.	ID #:	0001837	STOCK PART #:	8x189
	MATERIAL:			
DESCRIPTION: Overhead Joint Bracket				
FINISH:		# PCS:		REV:



CROWN INDUSTRIAL
So. San Francisco, Ca
(650) 952-5150
www.crown-industrial.com

4

3

2

1