

4

3

2

1

D

D

C

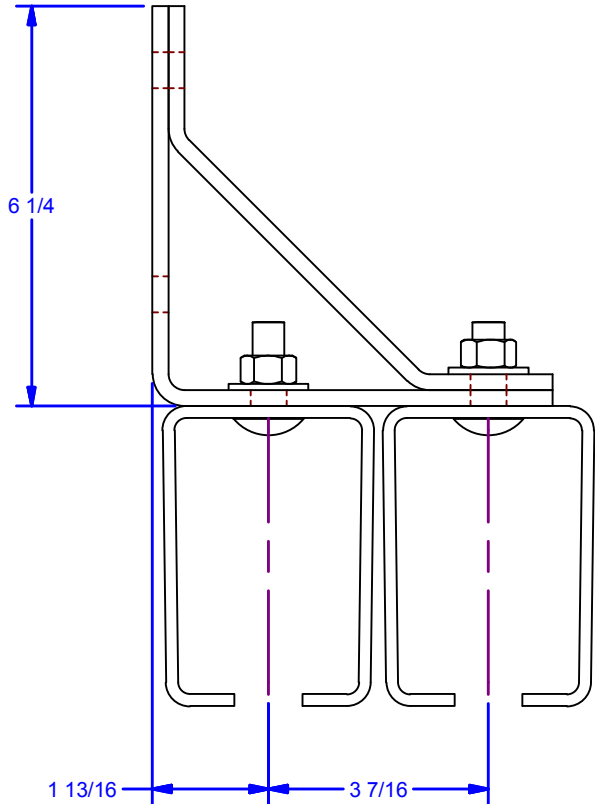
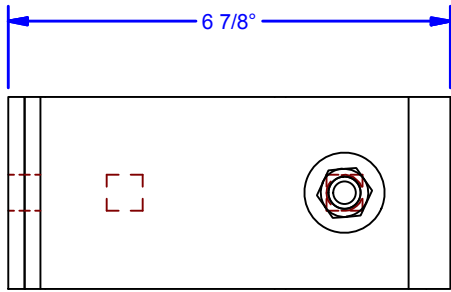
C

B

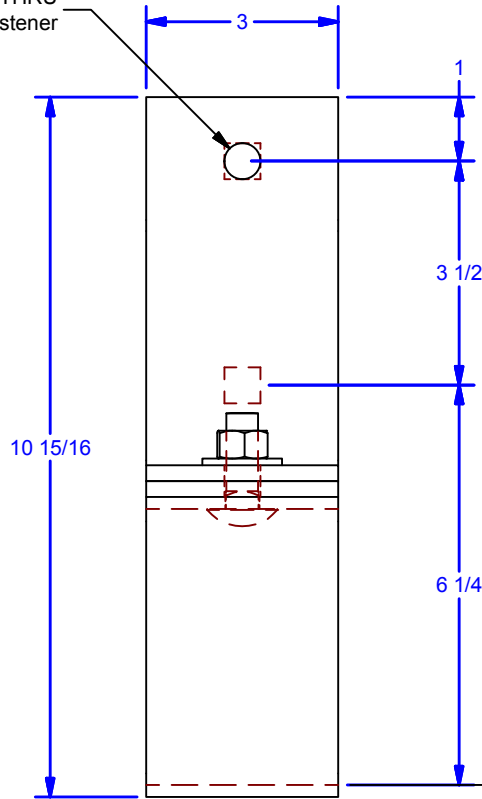
B

A

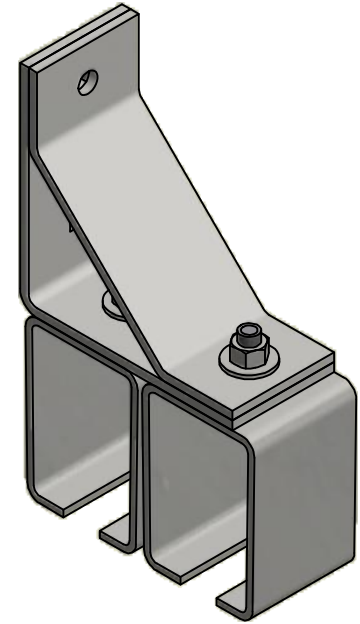
A



2X 9/16 SQ. THRU
For 1/2 Fastener



Bottom Of Track



Note:
24" On Center Maximum Bracket Spacing

Avail. Finishes:
8Px22B: Powder Coat Black
8Px22: Powder Coat Pebble Tan

DWG #: 0001838
DRAWN:BCM 2/6/2015
SHEET #6
File: 0001838.idw

ALL DIMENSIONS IN INCHES

THE INFORMATION CONTAINED IN THIS DRAWING IS THE SOLE PROPERTY OF CROWN INDUSTRIAL. ANY REPRODUCTION IN PART OR AS A WHOLE WITHOUT THE WRITTEN PERMISSION OF CROWN INDUSTRIAL IS PROHIBITED.	ID #:	0001847	STOCK PART #:	8x22
	MATERIAL:			
DESCRIPTION: Double Center Bracket				
FINISH:		# PCS:		REV:



CROWN INDUSTRIAL
So. San Francisco, Ca
(650) 952-5150
www.crown-industrial.com

4

3

2

1

A