

4

3

2

1

D

D

C

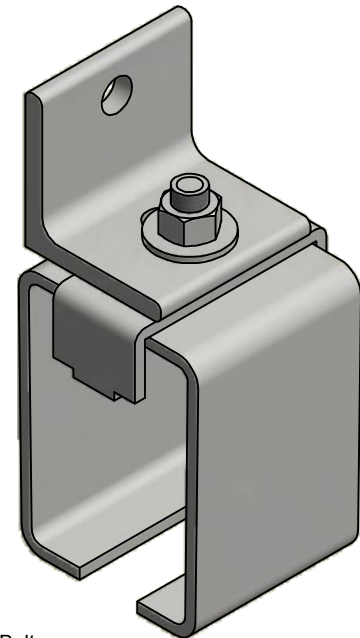
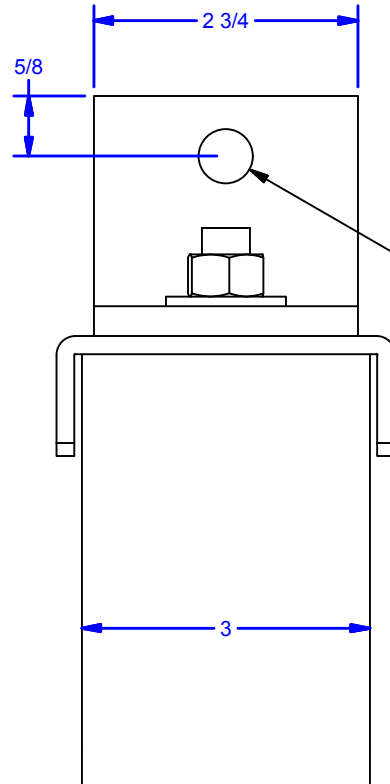
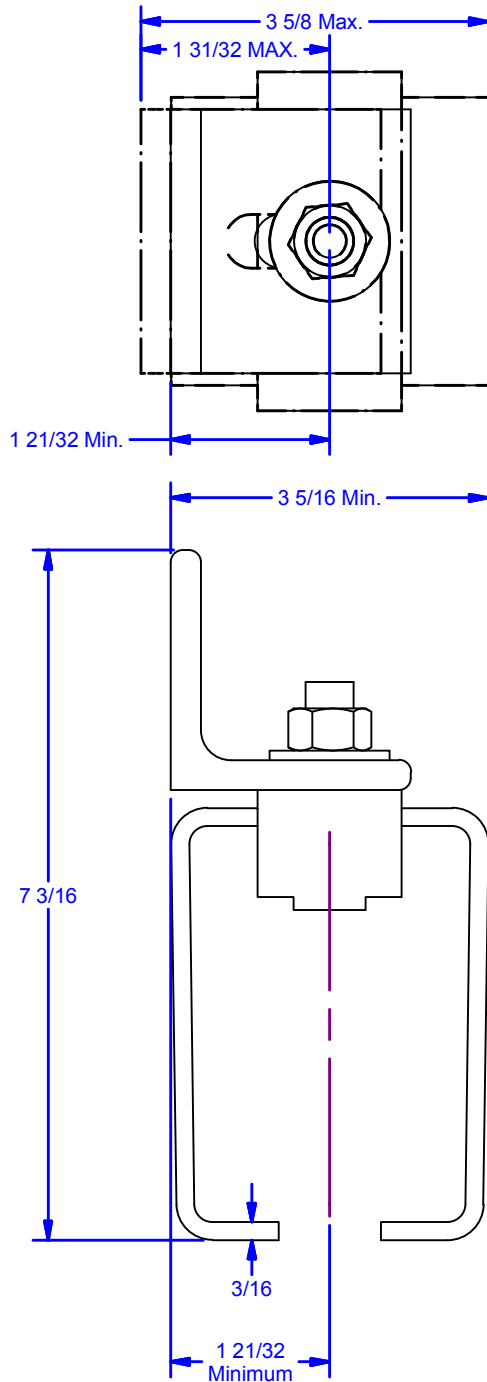
C

B

B

A

A



Ø9/16 THRU  
For 1/2 Hex Head Bolt

DWG #: 0001838  
DRAWN:BCM 6/26/2007  
SHEET #4  
File: 0001838.idw

**Note:**  
24" On Center Maximum Bracket Spacing

**Avail. Finishes:**  
8Px39B: Powder Coat Black  
8Px39: Powder Coat Pebble Tan

**ALL DIMENSIONS IN INCHES**

THE INFORMATION CONTAINED IN THIS DRAWING IS THE SOLE PROPERTY OF CROWN INDUSTRIAL. ANY REPRODUCTION IN PART OR AS A WHOLE WITHOUT THE WRITTEN PERMISSION OF CROWN INDUSTRIAL IS PROHIBITED.	ID #:	0001840	STOCK PART #:	8x39
	MATERIAL:			
DESCRIPTION: Sidewall Joint Bracket				
FINISH:			# PCS:	REV:



**CROWN INDUSTRIAL**  
So. San Francisco, Ca  
(650) 952-5150  
www.crown-industrial.com

4

3

2

1

