

**ALL DIMENSIONS IN INCHES**

THE INFORMATION CONTAINED IN THIS DRAWING IS THE SOLE PROPERTY OF CROWN INDUSTRIAL. ANY REPRODUCTION IN PART OR AS A WHOLE WITHOUT THE WRITTEN PERMISSION OF CROWN INDUSTRIAL IS PROHIBITED.	ID #:	0001403-1	STOCK PART #:	9035-DEC19BP
	MATERIAL:	Steel, Mild		
DESCRIPTION:				
Decorative Back Plate for 19" Strap Hinge				
FINISH:	Avail: Powder Coat or Hot Dipped Galvanized		# PCS:	1
			REV:	



**CROWN INDUSTRIAL**  
 So. San Francisco, Ca  
 (650) 952-5150  
[www.crown-industrial.com](http://www.crown-industrial.com)

DWG #: 0001400  
 DRAWN: BCM 3/8/2013  
 SHEET #8  
 File: 0001400.idw

4

3

2

1

D

D

C

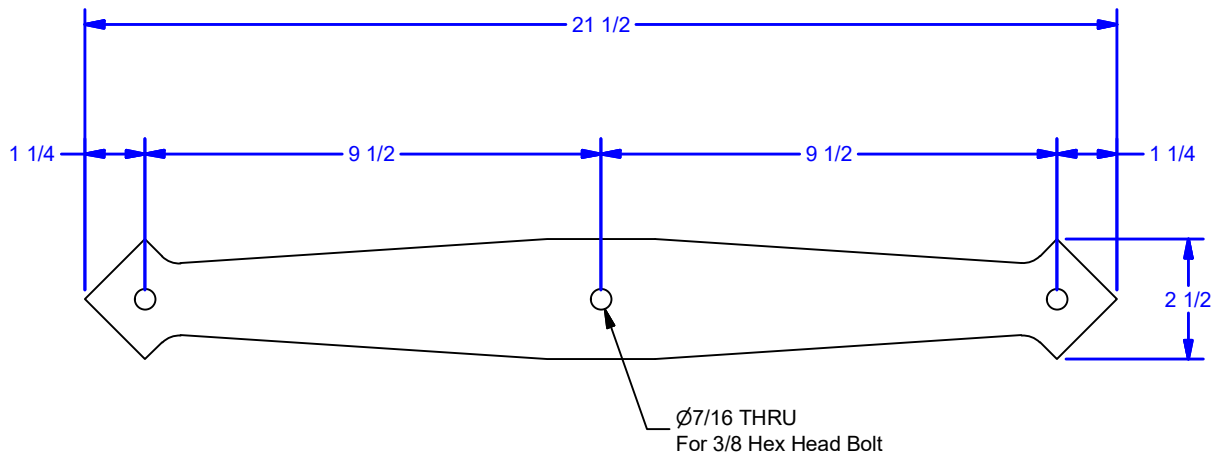
C

B

B

A

A



**ALL DIMENSIONS IN INCHES**

THE INFORMATION CONTAINED IN THIS DRAWING IS THE SOLE PROPERTY OF CROWN INDUSTRIAL. ANY REPRODUCTION IN PART OR AS A WHOLE WITHOUT THE WRITTEN PERMISSION OF CROWN INDUSTRIAL IS PROHIBITED.	ID #:	0001403-2	STOCK PART #:	9035-DEC24BP
	MATERIAL:	Steel, Mild		
DESCRIPTION: Decorative Back Plate for 24" Strap Hinge				
FINISH:	Avail: Powder Coat or Hot Dipped Galvanized		# PCS:	1
			REV:	



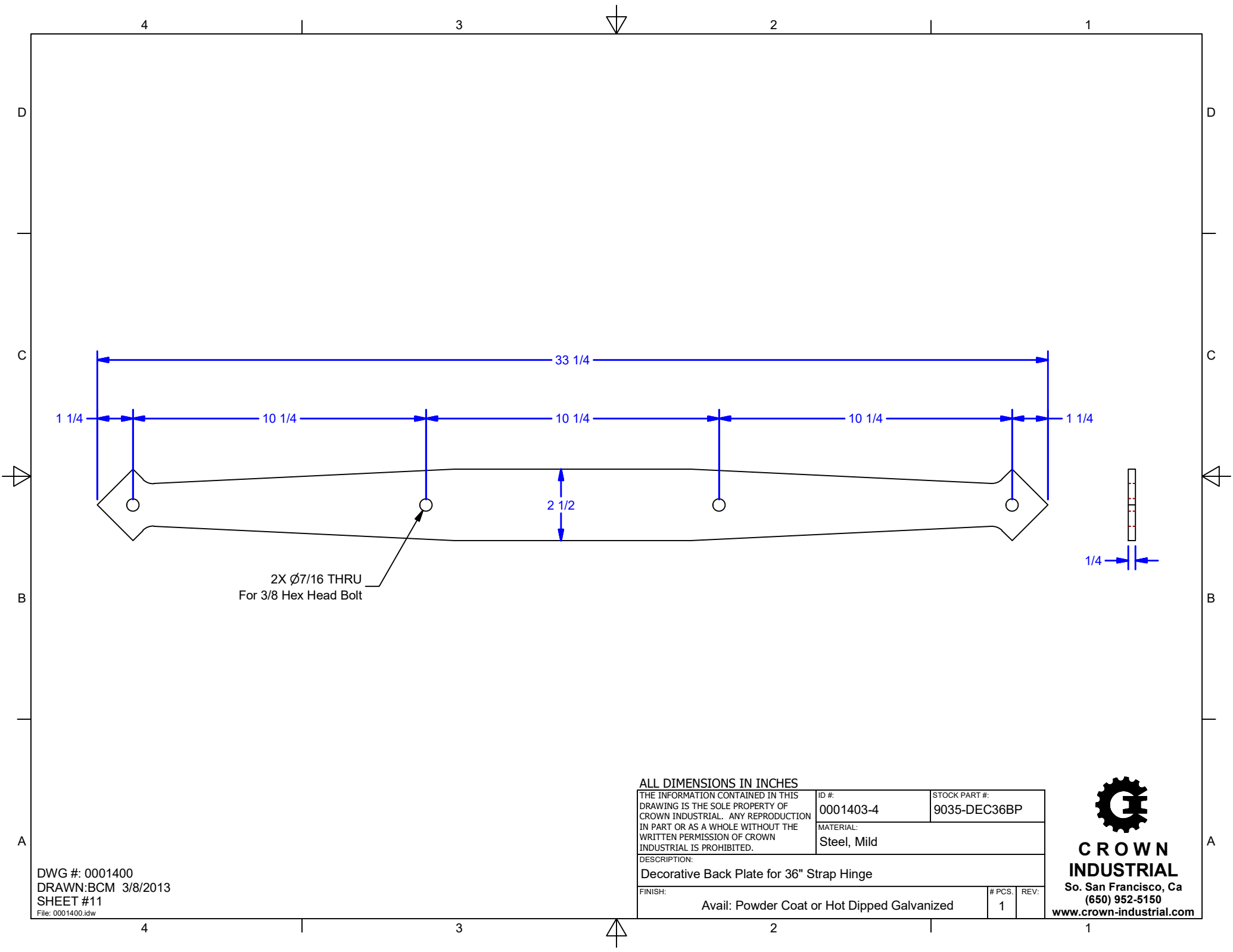
**CROWN INDUSTRIAL**

So. San Francisco, Ca  
(650) 952-5150

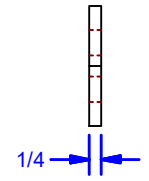
[www.crown-industrial.com](http://www.crown-industrial.com)

DWG #: 0001400  
DRAWN: BCM 3/8/2013  
SHEET #9

File: 0001400.idw



2X Ø7/16 THRU  
For 3/8 Hex Head Bolt



DWG #: 0001400  
DRAWN: BCM 3/8/2013  
SHEET #11  
File: 0001400.idw

**ALL DIMENSIONS IN INCHES**

THE INFORMATION CONTAINED IN THIS DRAWING IS THE SOLE PROPERTY OF CROWN INDUSTRIAL. ANY REPRODUCTION IN PART OR AS A WHOLE WITHOUT THE WRITTEN PERMISSION OF CROWN INDUSTRIAL IS PROHIBITED.	ID #: 0001403-4	STOCK PART #: 9035-DEC36BP
	MATERIAL: Steel, Mild	
DESCRIPTION: Decorative Back Plate for 36" Strap Hinge		
FINISH: Avail: Powder Coat or Hot Dipped Galvanized	# PCS: 1	REV: 



**CROWN INDUSTRIAL**  
So. San Francisco, Ca  
(650) 952-5150  
www.crown-industrial.com